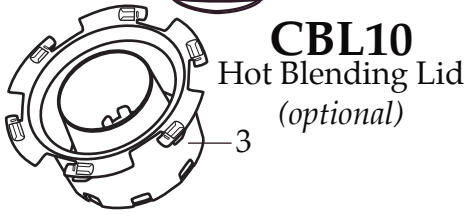
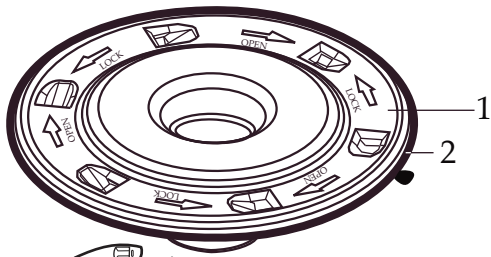


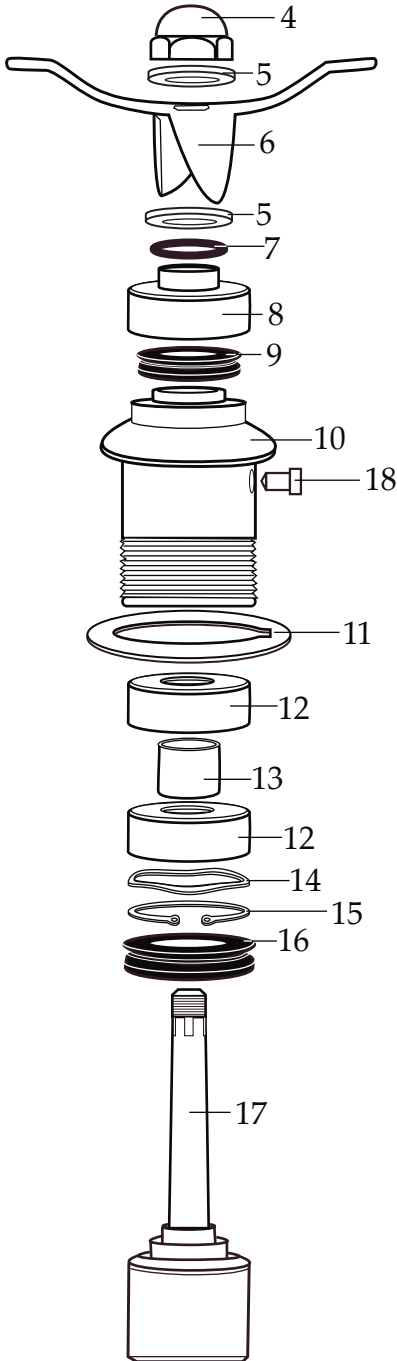
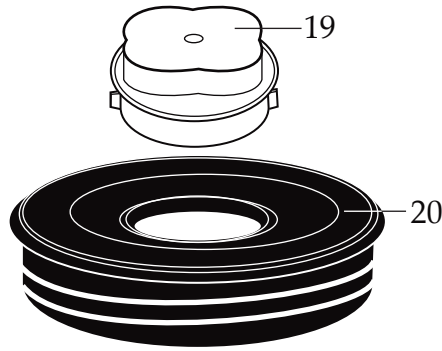


UK One Gallon Blender
CB15K



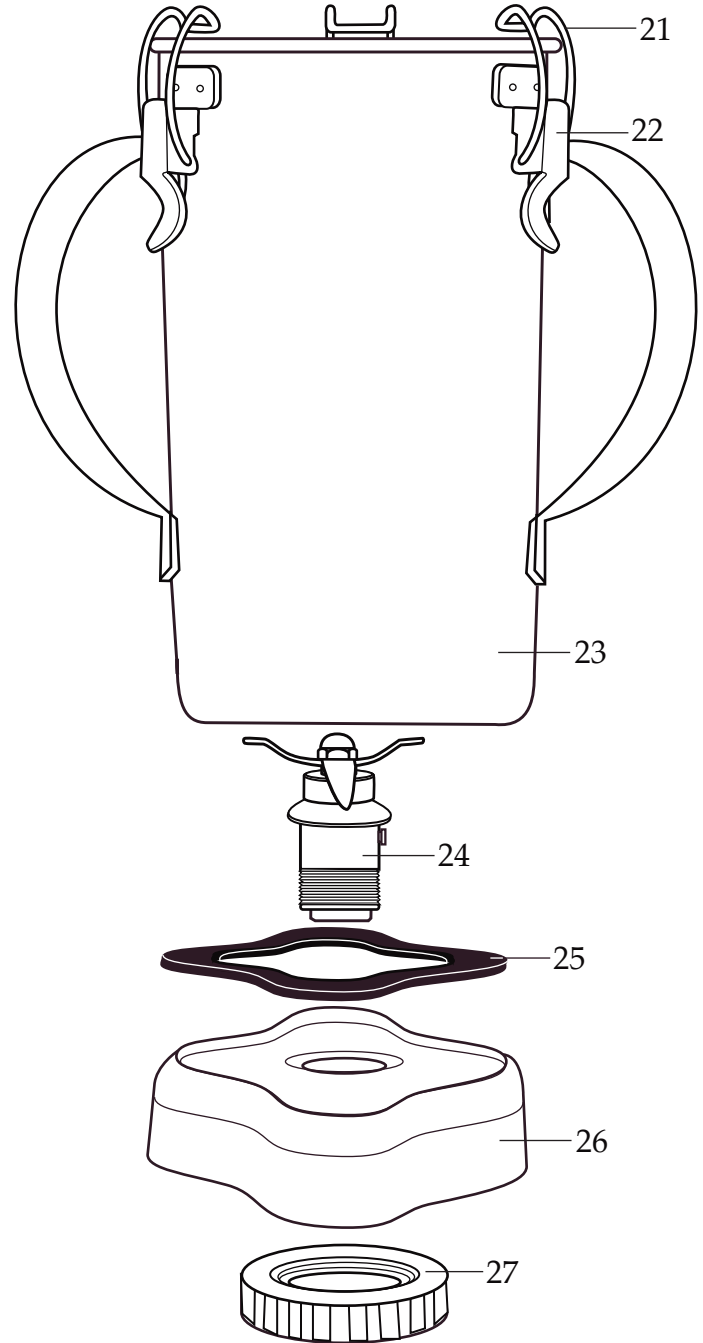
CBL10

Hot Blending Lid
(optional)



502977

Blending Assembly



502946

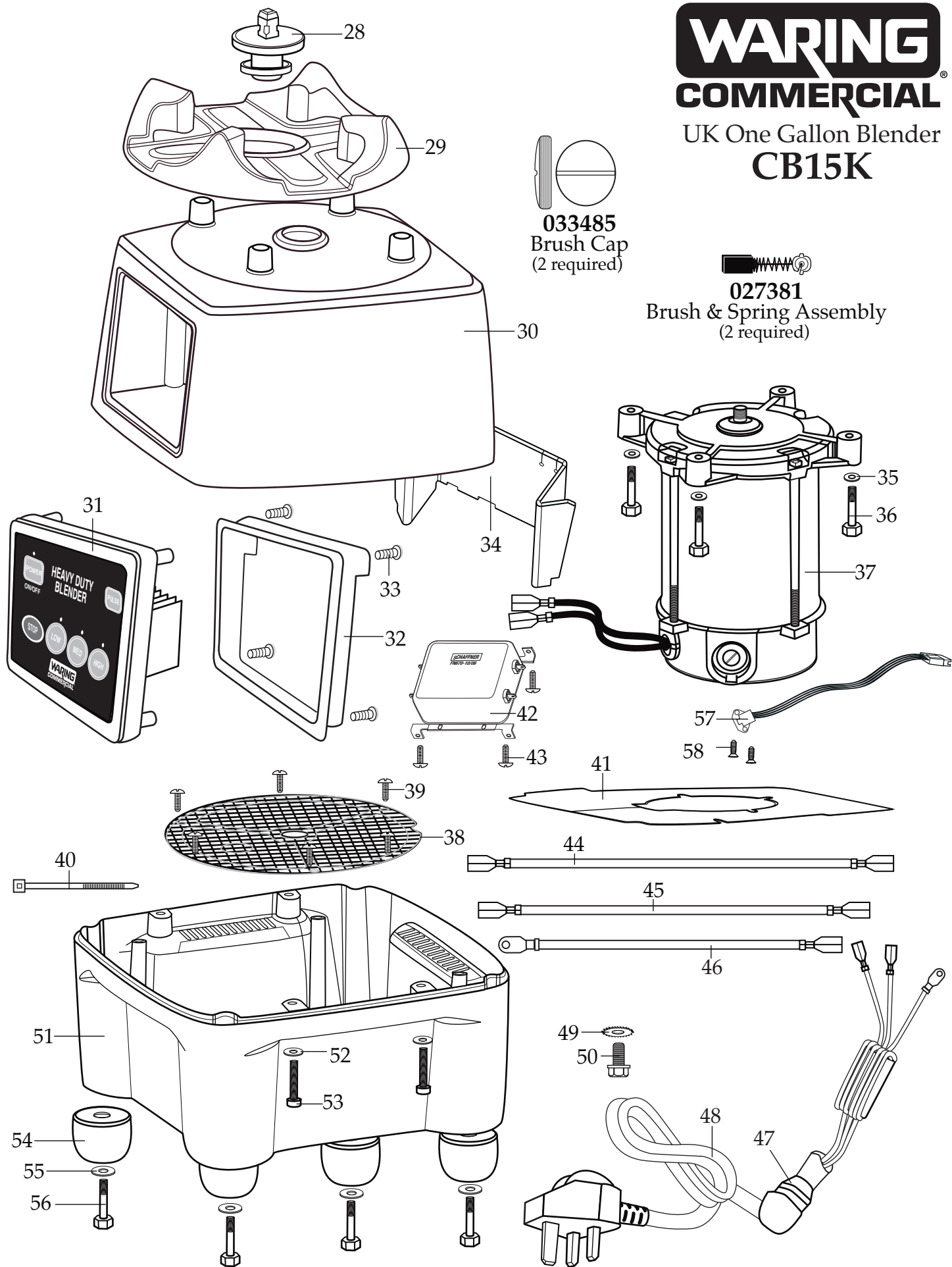
Container with Blending Assembly
(on units after 2/2/2015)

502235

Container with Blending Assembly

**WARING
COMMERCIAL®**

**UK One Gallon Blender
CB15K**



| Illustration # | Part # | Description |
|----------------|------------------|--|
| 1 | 024000 | Hot Blending Outer Lid |
| 2 | 026496 | Plastic Outer Lid Gasket <i>(changed after 10/3/2002)</i> |
| 3 | 023998 | Hot Blending Lid Baffle Cup |
| 4 | 002972 | Cap Nut |
| 5 | 027581 | Flat Stainless Steel Washer (2 required) |
| 6 | 027683 | Blade |
| 7 | 018389 | "O" Ring |
| 8 | 027582 | Bearing Cap |
| 9 | 018390 | Small "V" Ring |
| 10 | 023934 | Bearing Holder |
| 11 | 004946 | Washer |
| 12 | 018386 | Bearing (2 required) |
| 13 | 023926 | Spacer |
| 14 | 023907 | Spring Washer |
| 15 | 023927 | Retaining Ring |
| 16 | 023906 | Large "V" Ring |
| 17 | 023933 | Drive Shaft |
| 18 | 025817 | Key |
| 19 | 028530 | Cover Insert |
| 20 | 028226 | Outer Lid |
| 21 | 008791 | Latch Wire (3 required) |
| 22 | 502773 | Bracket Assembly (spot welded to container 3 required) |
| 23 | 027234 023909 | Container with Guard <i>(on units after 2/2/2015)</i> Double Handle Container |
| 24 | 502977 | Blending Assembly (complete) |
| 25 | 004949 | Container Base Gasket |
| 26 | 025571 | Container Support (container base) |
| 27 | 012008 | Lock Nut |
| 28 | 503328 | Coupling |
| 29 | 025871 | Jar Pad |
| 30 | 032380 | Top Housing |
| 31 | 032771 | Control Panel Assembly |
| 32 | 029888 | Control Panel Rear |
| 33 | 026497 | Screw (4 required) |
| 34 | 030453 | Control Panel Baffle |

| Illustration # | Part # | Description |
|----------------|--------|--|
| 35 | 002984 | Washer (4 required) |
| 36 | 016691 | Screw (4 required) |
| 37 | 029876 | 230 V ECM Motor w/ MTP (on units after 10/31/2013) (on units after 12/14/2015 029876 comes with Hall Effect Sensor) |
| | 503388 | Motor with Sensor |
| 38 | 018791 | Screen |
| 39 | 026500 | Screw (6 required) |
| 40 | 013731 | Cable Tie (2 required on units after 6/25/2013) |
| | 013731 | Cable Tie (1 required with 503388) |
| 41 | 026318 | Baffle |
| 42 | 503417 | Filter & Bracket Assembly |
| 43 | 026500 | Screw (3 required) |
| 44 | 502950 | Brown Lead |
| 45 | 502951 | Blue Lead |
| 46 | 502952 | Green-Yellow Ground Lead |
| 47 | 032378 | Strain Relief |
| 48 | 503409 | Cordset/Ferrite Core Assembly |
| 49 | 002943 | Ground Washer (2 required) |
| 50 | 027278 | Ground Screw (2 required) |
| 51 | 026317 | Bottom Housing |
| 52 | 002984 | Washer (4 required) |
| 53 | 026412 | Screw (4 required) |
| 54 | 026296 | Foot (4 required) |
| 55 | 018314 | Washer (4 required) |
| 56 | 026493 | Screw (4 required) |
| 57 | 030187 | Hall Effect Sensor (comes with 503388 and 029876 after 12/14/15) |
| 58 | 030405 | Screw (2 required comes with 503388 and 029876 after 12/14/15) |

