



Installation, Operating and Servicing Instructions

Electric Pizza Ovens
PO425, PO425-2, PO430, PO430-2,
PO630, PO630-2

Please make a note of your product details for
future use:

Date Purchased: _____

Model Number: _____

Serial Number: _____

Dealer: _____

CONTENTS

Important Information	2
Warnings and Precautions	3
Technical Data	3
Checklist of Enclosures	3
Installation and Commissioning	4-5
Operating Instructions	5-7
Cleaning	7
Servicing, Maintenance and Component Replacement	7
Fault Finding	8
Spare Parts List	8
Accessories	8
Service Information and Guarantee	9

IMPORTANT INFORMATION



Read these instructions carefully before using this product, paying particular attention to all sections that carry warning symbols, caution symbols and notices. Ensure that these are understood at all times.



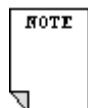
WARNING!

This symbol is used whenever there is a risk of personal injury.



CAUTION!

This symbol is used whenever there is a risk of damaging your Lincat product.



NOTE:

This symbol is used to provide additional information, hints and tips.

KEEP THIS MANUAL FOR FUTURE REFERENCE

WARNINGS AND PRECAUTIONS



This appliance must be installed, commissioned and serviced by a qualified person in accordance with national and local regulations in force in the country of installation.

If the supply cord is damaged, it must be replaced by the manufacturer, its service agent or similarly qualified person.

Ensure that the plug/socket is accessible at all times.

Strip plastic coating and clean the appliance before use.

During operation parts may become hot - avoid accidental contact.

Disconnect this appliance before servicing, maintenance or cleaning.



The thermostats within this unit contain Potassium-Sodium alloy that react with water and can cause burns. Under no circumstances should the capillary/bulb be cut open.

TECHNICAL DATA

Model	Height (mm)	Width (mm)	Depth (mm)	Weight (kg)
PO425	375	886	902	58.0
PO425-2	675			101.0
PO430	375	966	1002	77.0
PO430-2	675			135.0
PO460	375	1286		104.0
PO460-2	675			181.0

CHECK LIST OF ENCLOSURES

Warranty card
Instructions manual
Kiln Bats – 1,2 or 4 dependant on model

INSTALLATION AND COMMISSIONING

This appliance must be earthed.



An equipotential bonding terminal is provided to allow cross bonding with other equipment.

Install this appliance on a level surface ensuring all vents are unobstructed. Do not site on wooden or Formica surfaces. Keep a gap of 25mm below the base and the surface on which it is situated. See Fig 1 for minimum distances – A 100mm B 1000mm.

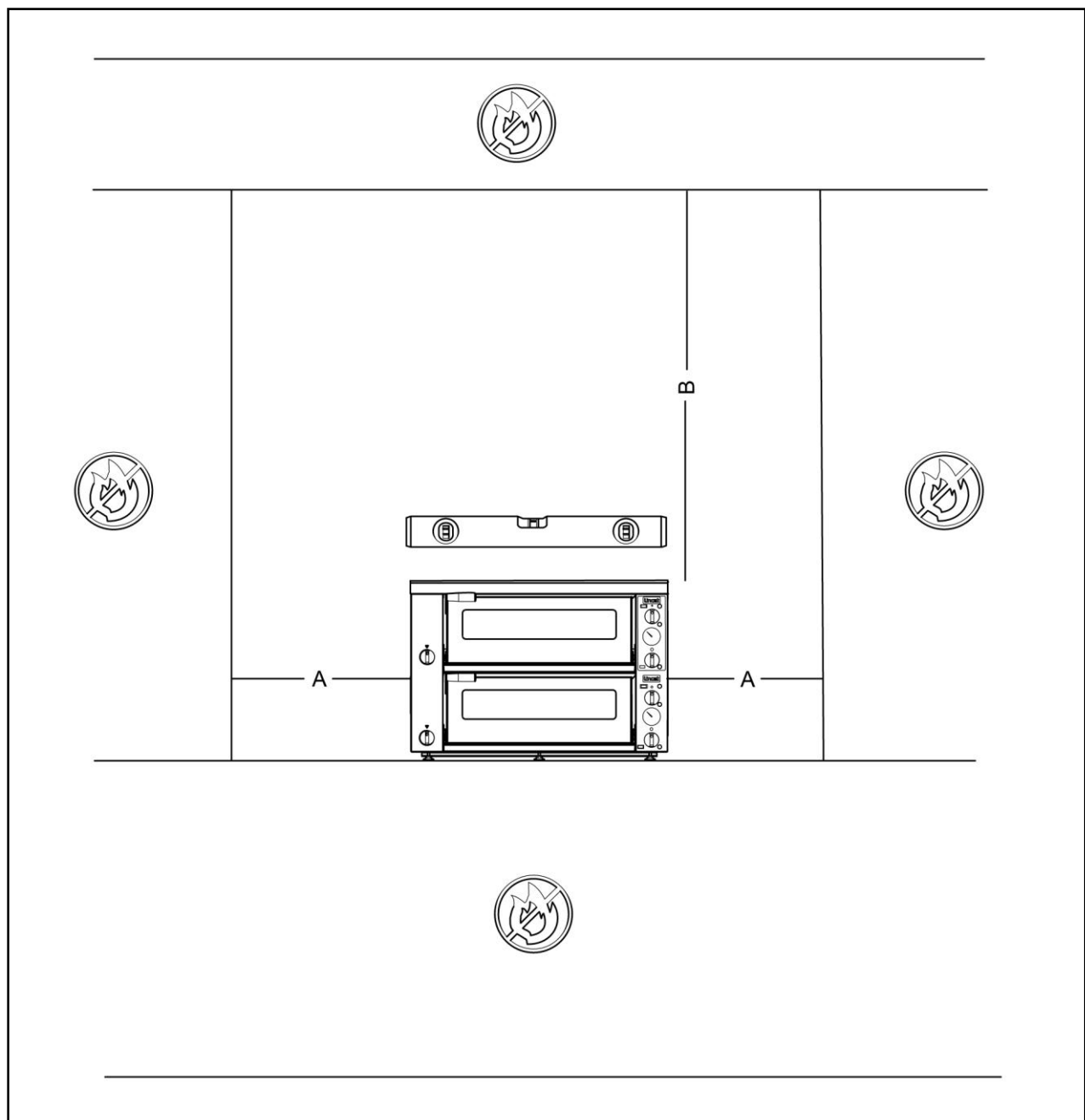


Fig 1

If replacing the plug connect the terminals as follows:

Green and Yellow wire	Earth	E
Blue wire	Neutral	N
Brown wire	Live	L

Means of isolation with at least 3mm contact separation in all poles must be incorporated into the fixed wiring of this appliance.

The fixed wiring insulation must be protected by insulated sleeving having a temperature rating of 60 Deg C.

Supply cords shall be oil resistant, sheathed flexible cable not lighter than ordinary polychloroprene or equivalent elastomer sheathed cord (code 60245 IEC 57)

Power Ratings and wiring options

Model	kW	Supply 1N~+E 230V 50-60Hz (A)	Supply 3N~+E 400V 50-60Hz (A)
PO425	3.0	13	N/A
PO425-2	6.0	26	8.7, 8.7, 8.7
PO430	4.2	18.3	6.1, 6.1, 6.1
PO430-2	8.4	36.6	12.2, 12.2, 12.2
PO630	7.2	31.3	10.4, 10.4, 10.4
PO630-2	14.4	N/A	20.8, 20.8, 20.8

The PO425 is fitted with a 13 amp plug. All other units are fitted with a terminal connection labelled as follows:

1	Live 1	Brown
2	Live 2	Black
3	Live 3	Grey
N	Neutral	Blue
N	Neutral	Blue (connect to the other N terminal with the supplied link)
E	Earth	Green/Yellow

OPERATING INSTRUCTIONS

Only qualified or trained personnel should use this appliance.

Refer to Fig 2 for control functions.

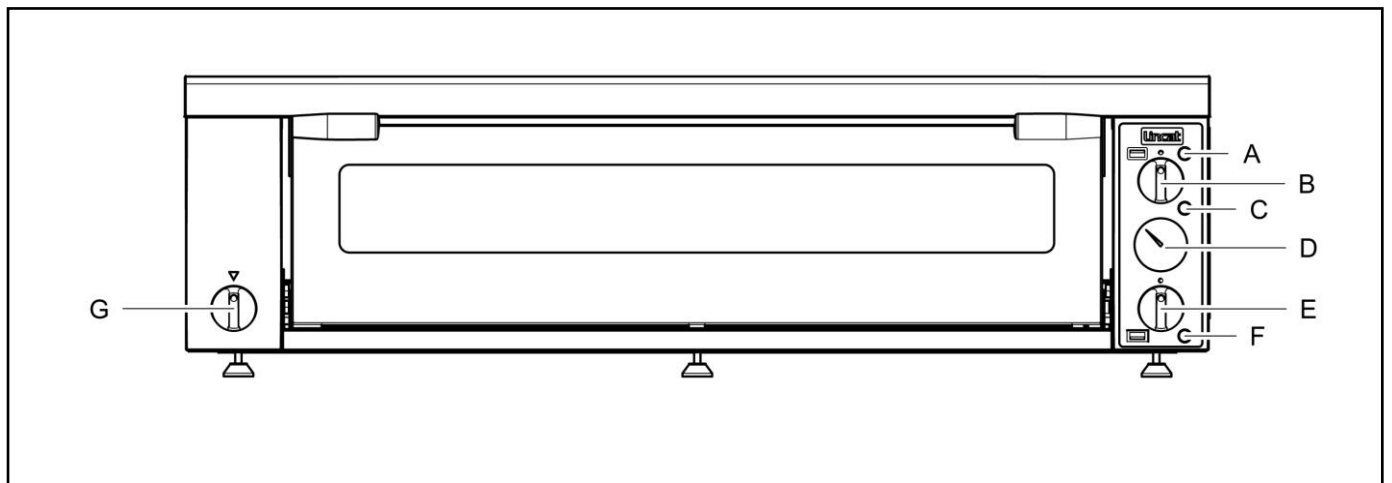


Fig 2

Connect the appliance to the electricity supply. With all the control knobs in the 'Off' position, turn on at the isolator. The green neon (C) will illuminate.

Turn the top element control knob (B) to the desired setting. The amber neon (A) will illuminate.

Turn the bottom element control knob (E) to 3 to pre-heat the appliance. The amber neon (F) will illuminate.

The top control knob controls a thermostat, and the amber neon (A) will go off when the oven has reached the desired temperature. The lower control knob controls an energy regulator – the setting of 3 is a recommendation - adjust to suit individual requirements. The lower amber neon (F) will cycle on and off as the energy regulator controls the power to the bottom element. The energy regulator should not be left on maximum.

The oven temperature is indicated by the dial (D). There is an audible timer (G).

To turn the appliance off, turn knob B to '0' and isolated at the supply.

Safety Thermostat

All models are fitted with a safety thermostat to protect the appliance in the event of control thermostat failure. Twin models are fitted with two safety thermostat, one per oven.

If necessary, re-set the safety thermostat by pressing the red button (A) in Fig 3. The re-set cannot be activated until the oven has cooled.

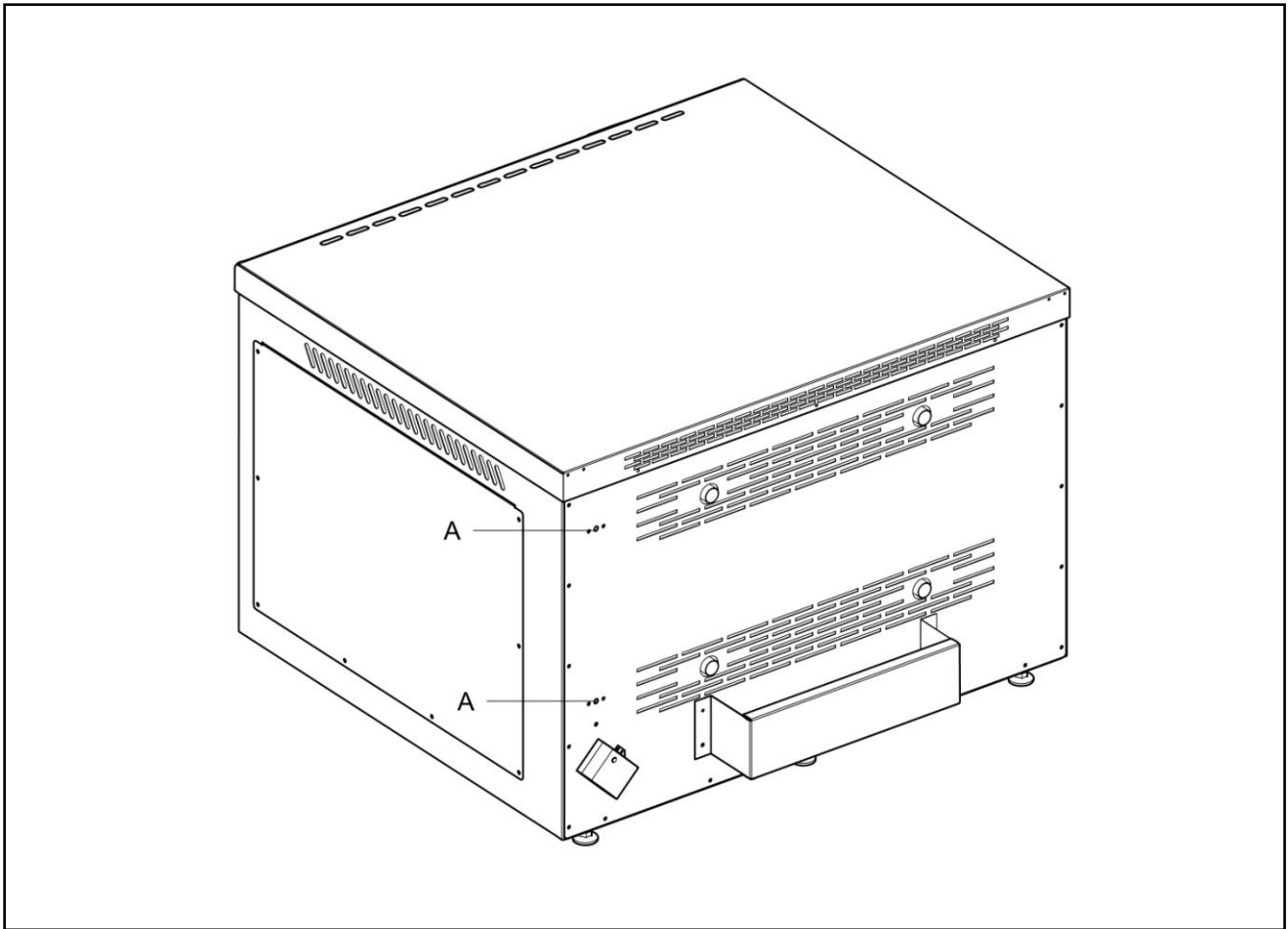


Fig 3

CLEANING



Do not use a water jet or steam cleaner, and do not immerse this appliance.

Clean all panels with warm water and mild detergent, do not use abrasive materials. Dry with a soft cloth.

Occasionally remove the kiln bats and sweep out any debris from the base of the appliance.

SERVICING, MAINTENANCE AND COMPONENT REPLACEMENT

All servicing, maintenance and component replacement on this appliance should be carried out by one of our recommended service engineers.

FAULT FINDING

Please refer to the Service Help Desk number on the final page of this manual.

SPARE PARTS LIST

Part Number	Description	Used on
DT5	Dial thermometer	All
EL258	Element 1000W	PO425, PO425-2
EL259	Element 950W	
EL260	Element 1400W	PO430, PO430-2
EL261	Element 1350W	
EL262	Element 2400W	PO630, PO630-2
EL263	Element 2350W	
EN10	Energy regulator	All
FE10	Foot	
HA05	Door handle	
KB21	Kiln bat	PO425, PO425-2
KB02	Kiln bat	PO430, PO430-2
KB03	Kiln bat	PO630, PO630-2
KN260	Control knob thermostat	All
KN261	Control knob energy regulator	
KN274	Control knob timer	
LA10	Lamp	
NE37	Amber neon	
NE38	Green neon	PO425
PL144	Mains cable	
SW71	Rotary switch	All
TH101	Control thermostat	
TH102	Safety thermostat	
TI38	Timer	

ACCESSORIES

Part Number	Description	Used on
PO425/FS, PO430/FS, PO630/FS	Floor stand	PO425, PO430, PO630
PO425/SK, PO430/SK, PO630/SK	Stacking kit	PO425-2, PO430-2, PO630-2

SERVICE INFORMATION

For help with the installation, maintenance and use of your **Lincat** equipment, please contact our service department:

☎ UK: 01522 875520

For non-UK customers, please contact your local Lincat dealer

All service work, other than routine cleaning should be carried out by one of our authorised service agents. We cannot accept responsibility for work carried out by other persons.

To ensure your service enquiry is handled as efficiently as possible, please tell us:

- Brief details of the problem
 - Product code
 - Type number
 - Serial number
- } All available on serial plate

Lincat reserve the right to carry out any work under warranty, given reasonable access to the appliance, during normal working hours, Monday to Friday, 08:30 to 17:00.

GUARANTEE

This unit carries a comprehensive UK mainland 2 year warranty. The guarantee is in addition to, and does not diminish your statutory or legal rights.

The guarantee does not cover:

- Accidental damage, misuse or use not in accordance with the manufacturer's instructions
- Consumable items (such as filters, glass, bulbs, slot toaster elements and door seals.)
- Damage due to incorrect installation, modification, unauthorised service work or damage due to scale, food debris build-up, etc.

The manufacturer disclaims any liability for incidental, or consequential damages. Attendance is based on reasonable access to the appliance to allow the authorised technician to carry out the warranty work.

Service calls to equipment under warranty will be carried out in accordance with the conditions of sale. Unless otherwise specified, a maximum of 15 minutes of administrative time, not spent directly carrying out servicing work, is provided for within the warranty. Any requirement for staff attending the call to spend greater time than 15 minutes due to administrative requirements, such as on health and safety risk assessments, will be chargeable at the prevailing rate.