



P0430-2 - Lincat Electric Counter-top Pizza Oven - Twin-Deck - W 966 mm - 8.4 kW

Transport yourself to the Centro Storico district of Naples with the authentic taste of the pizzas from the Lincat Twin-Deck Electric Pizza Oven.

- ✓ Ideal for restaurants, pizzerias, takeaways, fast food outlets, canteens and leisure establishments
- ✓ Perfect for deep pan, thin crust, fresh dough, part baked or frozen pizzas, as well as a variety of other foods such as ciabatta, naan, garlic bread, lasagna, jacket potatoes, pies, pasties and pastries
- ✓ Internal illumination for better visibility of product and enhanced appearance in front of house applications
- ✓ Firebrick base for crisp, even cooking of pizza bases and a maximum temperature of 400°C
- ✓ Independent controls for each deck. Independently controlled top and base of oven compartment for each deck
- ✓ Thermostatic control and temperature display gauge to monitor oven temperature more accurately
- ✓ Double-glazed door construction for energy efficiency with toughened glass for safety
- ✓ 20 minute audible timer

Specifications

Summary		Power and Performance	
Range Name	Lincat	Total Power kW	8.4
Power Type	Electric	Temperature Range °C	80 - 480
Unit Type	Counter-top	IP Rating	IP23
Available in UK Only	No	Temperature Control	Mechanical
UK Warranty	2 Years Parts and Labour Warranty	Oven Rating kW	8.4
Export Warranty	Contact your local dealer		
GTIN Code	5056105103707		

Key Specifications		Weights and Dimensions	
Number of Decks	2	Unit Height (External) mm	665
		Unit Width (External) mm	966
		Unit Depth (External) mm	925
		Height (Internal) mm	2 x 160
		Width (Internal) mm	2 x 630
		Depth (Internal) mm	2 x 640
		Net Weight Kg	150.4

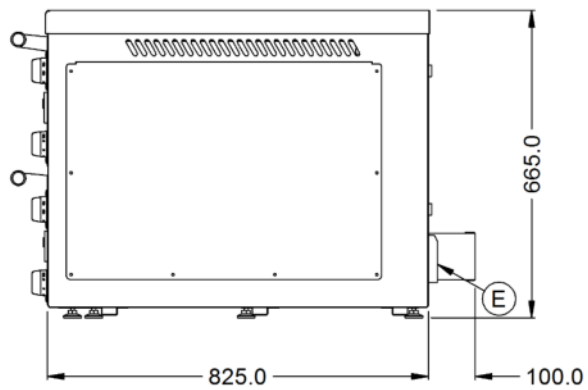
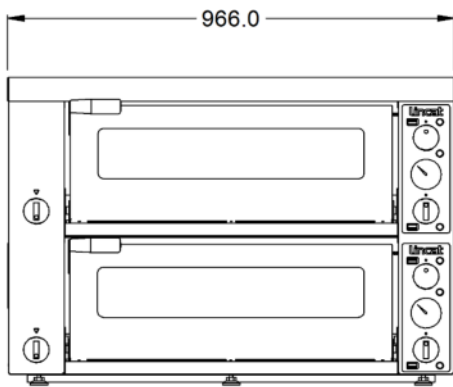
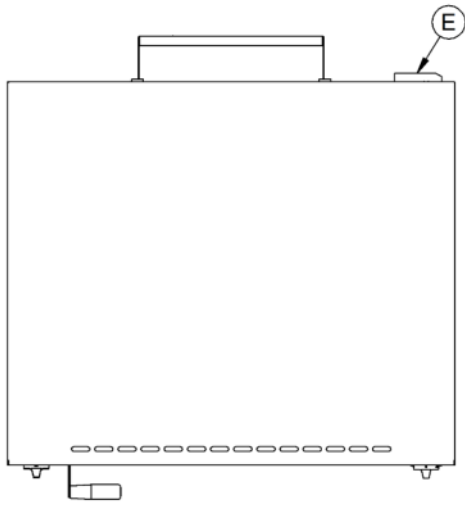
Supply Connections		Shipping	
Requires Installation	Yes	Packed Weight Kg	155
Requires Electrical Supply	Yes	Packed Height cm	96
UK 3 Pin Plug	No	Packed Width cm	110
Requires Hardwiring	Yes	Packed Depth cm	97
Electrical Supply Rating Watts	8,400		
Single Phase Amps	36.6		
Single Phase Voltage	230		
Three Phase Amps	L1=12.2 ; L2=12.2 ; L3=12.2		
Three Phase Voltage	400		

Available Accessories

PO430/FS

PO430 FLOORSTAND

Technical Picture



Lincat Limited

Whisby Road,
Lincoln, LN6 3QZ,
United Kingdom

Company No: 2175448

A member company of



Customer Care

Tel: +44 1522 875500
Email: care@lincat.co.uk

Export Customers

Tel: +44 1522 503250
Email: export@lincat.co.uk

Opening Hours

Monday – Friday:
8.30am – 5pm