



## P8P6 - Panther 800 Series Free-standing Hot Cupboard - Plain Top - W 2180 mm - 2.5 kW

Helping to cater in demanding environments such as cafeterias, canteens and restaurants, the Panther 800 Series Hot Cupboard is perfect for plating and garnishing and as a pass to front of house staff, while it also provides extra workspace or can be used as a mobile workstation.

- ✔ Helping to cater in demanding environments such as cafeterias, canteens and restaurants
- ✔ Fan assisted hot cupboard provides even heat distribution, fast heat up and recovery times, and lower energy usage. Four shelf positions allow adjustment to meet individual needs.
- ✔ Fully 1/1 GN compatible hot cupboard for operational efficiency. Units available to take 6 x 1/1 GN containers up to 150mm deep.
- ✔ Accurate digital electronic control of the hot cupboard temperature, adjustable between 20 and 99 °C, ensures compliance with food hygiene regulations
- ✔ Double skinned construction provides efficient heat retention and a cool to touch exterior - safe and energy efficient. Removable doors and shelves allow access to the fully stainless steel interior for easy cleaning
- ✔ Supplied with two heavy duty multi-section chrome plated rod shelves capable of taking the heaviest loads

### Specifications

Summary		Power and Performance	
Range Name	Panther	Total Power kW	2.5
Power Type	Electric	Temperature Range °C	20 - 99
Unit Type	Free-standing	IP Rating	IP24
Available in UK Only	No	Plate Capacity	556
UK Warranty	2 Years Parts and Labour Warranty	Temperature Control	Electronic
Export Warranty	Contact your local dealer		
GTIN Code	5056105103615		

Key Specifications		Weights and Dimensions	
Number of Shelves included	2	Unit Height (External) mm	900
Number of Shelf Positions	4	Unit Width (External) mm	2180
Heated Base	Yes	Unit Depth (External) mm	850
Heated Gantry	No	Height (Internal) mm	432
Static or Mobile	Mobile	Width (Internal) mm	1995
		Depth (Internal) mm	512
		Shelf Dimensions Width mm	1929
		Shelf Dimensions Depth mm	512
		Net Weight Kg	197

Supply Connections		Shipping	
Requires Installation	No	Packed Weight Kg	213
Requires Electrical Supply	Yes	Packed Height cm	110
UK 3 Pin Plug	Yes	Packed Width cm	222
Requires Hardwiring	No	Packed Depth cm	90
Electrical Supply Rating Watts	2,500		
Single Phase Amps	10.9		
Single Phase Voltage	230		

**Available Options**

**Overshelf or Gantry**

<b>PS6A1</b>	PS6A1 - 1 Ambient Overshelf
<b>PS6A2</b>	PS6A2 - 2 Ambient Overshelves
<b>PS6A3</b>	PS6A3 - 3 Ambient Overshelves
<b>PS6H1</b>	PS6H1 - 1 Heated Overshelf
<b>PS6H2</b>	PS6H2 - 2 Heated Overshelves
<b>PS6H3</b>	PS6H3 - 3 Heated Overshelves

**Door Locks**

<b>PDL6</b>	PDL6 - Lockable Door
-------------	----------------------

**Corner Guards**

<b>PCG</b>	PCG - Corner Guards [Set of Four]
------------	-----------------------------------

**Trayslides**

<b>PTS6</b>	PTS6 - Tray Slide
-------------	-------------------

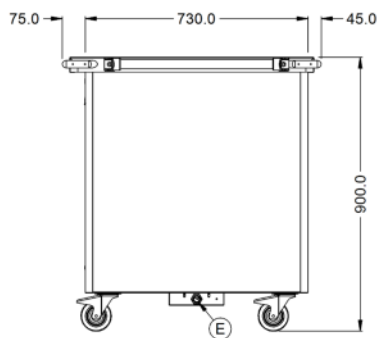
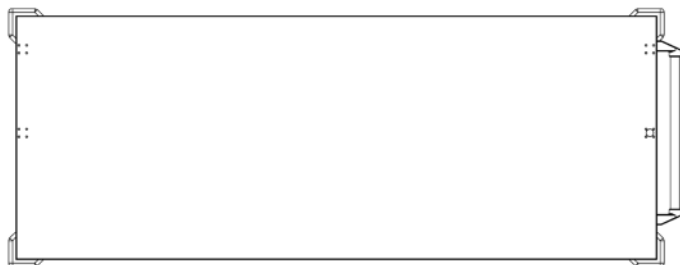
**Legs/Castors**

<b>PLK</b>	PLK - Legs [non chargeable]
------------	-----------------------------

**Available Accessories**

<b>PLK/S</b>	PLK/S - LEG KIT [FOR CONVERSION IN THE FIELD]
--------------	---

**Technical Picture**



**Lincat Limited**

Whisby Road,  
Lincoln, LN6 3QZ,  
United Kingdom

**Company No:** 2175448

A member company of



**Customer Care**

**Tel:** +44 1522 875500  
**Email:** care@lincat.co.uk

**Export Customers**

**Tel:** +44 1522 503250  
**Email:** export@lincat.co.uk

**Opening Hours**

**Monday – Friday:**  
8.30am – 5pm