



P6P2 - Panther 670 Series
Free-standing Hot
Cupboard - Plain Top - W
980 mm - 1.5 kW

A great solution for holding and transporting food at the perfect temperature, the Panther 670 Series Hot Cupboard is designed to fit through narrow doorways, so is ideal for pubs and smaller restaurants as well as nursing and care homes where plated meals are to be transported from the kitchen to the residents.

- ✓ 670mm depth allows access through narrow door openings also ideal to fit through narrow corridors
- ✓ Ideal for small restaurants, cafes and pubs, as well as nursing and care homes, where the easy transportation of plated meals to diners & residents is a necessity.
- ✓ Fan assisted hot cupboard provides even heat distribution, fast heat up and recovery times, and lower energy usage. Four shelf positions allow adjustment to meet individual needs.
- ✓ Fully 1/1 GN compatible hot cupboard for operational efficiency. Units available to take 2 x 1/1 GN containers up to 150mm deep.
- ✓ Accurate digital electronic control of the hot cupboard temperature, adjustable between 20 and 99 °C, ensures compliance with food hygiene regulations
- ✓ Double skinned construction provides efficient heat retention and a cool to touch exterior – safe and energy efficient. Removable doors and shelves allow access to the fully stainless steel interior for easy cleaning
- ✓ Supplied with two heavy duty multi-section chrome plated rod shelves capable of taking the heaviest loads

Specifications

Summary **Power and Performance**

Range Name	Panther	Total Power kW	1.5
Power Type	Electric	Temperature Range °C	20 - 99
Unit Type	Free-standing	IP Rating	IP24
Available in UK Only	No	Plate Capacity	236
UK Warranty	2 Years Parts and Labour Warranty	Temperature Control	Electronic
Export Warranty	Contact your local dealer		
GTIN Code	5056105103431		

Key Specifications **Weights and Dimensions**

Number of Shelves included	2	Unit Height (External) mm	900
Number of Shelf Positions	4	Unit Width (External) mm	980
Heated Base	Yes	Unit Depth (External) mm	670
Heated Gantry	No	Height (Internal) mm	432
Static or Mobile	Mobile	Width (Internal) mm	795
		Depth (Internal) mm	512
		Shelf Dimensions Width mm	788
		Shelf Dimensions Depth mm	512
		Net Weight Kg	75.2

Supply Connections

Requires Installation	No
Requires Electrical Supply	Yes
UK 3 Pin Plug	Yes
Requires Hardwiring	No
Electrical Supply Rating Watts	1,500
Single Phase Amps	6.5
Single Phase Voltage	230

Shipping

Packed Weight Kg	95.7
Packed Height cm	105
Packed Width cm	100
Packed Depth cm	80

Available Options

Overshelf or Gantry

PG2A	PG2A - Ambient Gantry
PG2H	PG2H - Heated Gantry
PS2A1	PS2A1 - 1 Ambient Overshelf
PS2A2	PS2A2 - 2 Ambient Overshelves
PS2A3	PS2A3 - 3 Ambient Overshelves
PS2H1	PS2H1 - 1 Heated Overshelf
PS2H2	PS2H2 - 2 Heated Overshelves
PS2H3	PS2H3 - 3 Heated Overshelves

Door Locks

PDL2	PDL2 - Lockable Door
------	----------------------

Corner Guards

PCG	PCG - Corner Guards [Set of Four]
-----	-----------------------------------

Trayslides

PTS2	PTS2 - Tray Slide
------	-------------------

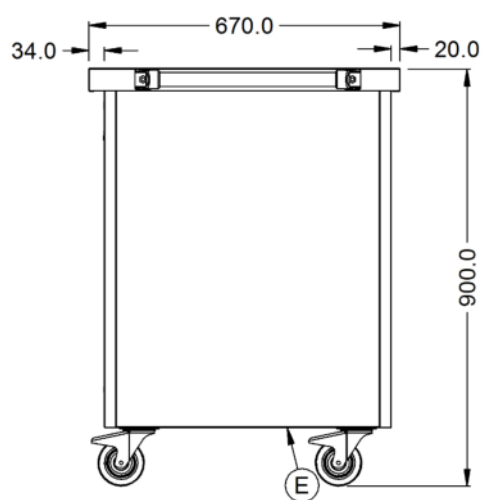
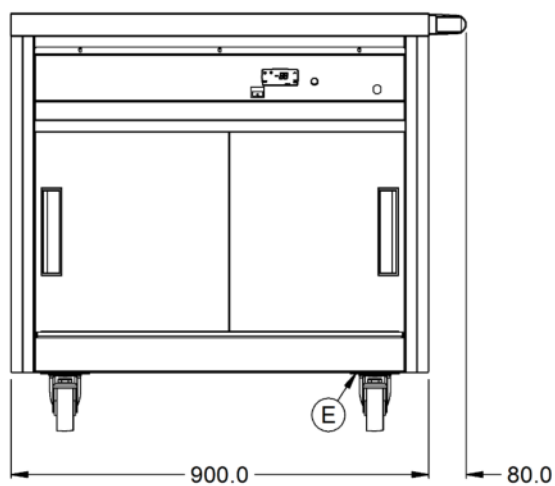
Legs/Castors

PLK	PLK - Legs [non chargeable]
-----	-----------------------------

Available Accessories

PLK/S	PLK/S - LEG KIT [FOR CONVERSION IN THE FIELD]
-------	---

Technical Picture



Lincat Limited

Whisby Road,
Lincoln, LN6 3QZ,
United Kingdom

Company No: 2175448

A member company of



Customer Care

Tel: +44 1522 875500
Email: care@lincat.co.uk

Export Customers

Tel: +44 1522 503250
Email: export@lincat.co.uk

Opening Hours

Monday – Friday:
8.30am – 5pm