



P6B4 - Panther 670  
Series Free-standing Hot  
Cupboard - Bain Marie  
Top - 4GN - W 1530 mm -  
4.9 kW

A great solution for holding and transporting food at the perfect temperature, the Panther 670 Series Hot Cupboard / Bain Marie is designed to fit through narrow doorways, so is ideal for pubs and smaller restaurants as well as nursing and care homes where plated meals are to be transported from the kitchen to the residents.

- ✓ Ideal to fit through narrow corridors and doorways
- ✓ Bain marie top, ideal for small restaurants, cafes and pubs, as well as nursing and care homes, where the easy transportation of plated meals to diners and residents is a necessity
- ✓ Fan assisted hot cupboard provides even heat distribution, fast heat up and recovery times, and lower energy usage. Four shelf positions allow adjustment to meet individual needs.
- ✓ Fully 1/1 GN compatible hot cupboard for operational efficiency. Units available to take 4 x 1/1 GN containers up to 150mm deep.
- ✓ Thermostatically controlled bain marie top can be operated with wet or dry heat. Accurate digital electronic control of the hot cupboard temperature, adjustable between 20 and 99 °C, ensures compliance with food hygiene regulations
- ✓ Double skinned construction provides efficient heat retention and a cool to touch exterior - safe and energy efficient. Removable doors and shelves allow access to the fully stainless steel interior for easy cleaning
- ✓ Supplied with two heavy duty multi-section chrome plated rod shelves capable of taking the heaviest loads
- ✓ Drain tap located inside the hot cupboard allows fast and easy draining

**Specifications**

Summary		Power and Performance	
<b>Range Name</b>	Panther	<b>Gastronorm Capacity</b>	4 x GN1/1
<b>Power Type</b>	Electric	<b>Total Power kW</b>	4.9
<b>Unit Type</b>	Free-standing	<b>Temperature Range °C</b>	20 - 99
<b>Available in UK Only</b>	No	<b>IP Rating</b>	IP24
<b>UK Warranty</b>	2 Years Parts and Labour Warranty	<b>Plate Capacity</b>	382
<b>Export Warranty</b>	Contact your local dealer	<b>Temperature Control</b>	Top: Mechanical/Bottom: Electronic
<b>GTIN Code</b>	5056105103417		

Key Specifications		Weights and Dimensions	
<b>Drain Location</b>	Right side interior mounted	<b>Unit Height (External) mm</b>	912
<b>Number of Shelves included</b>	2	<b>Unit Width (External) mm</b>	1530
<b>Number of Shelf Positions</b>	4	<b>Unit Depth (External) mm</b>	672
<b>Pot Type</b>	Gastronorm	<b>Height (Internal) mm</b>	432
<b>Type of Heat</b>	Wet/Dry	<b>Width (Internal) mm</b>	1345
<b>Heated Base</b>	Yes	<b>Depth (Internal) mm</b>	512
<b>Heated Gantry</b>	No	<b>Shelf Dimensions Width mm</b>	1286
<b>Static or Mobile</b>	Mobile	<b>Shelf Dimensions Depth mm</b>	512
		<b>Net Weight Kg</b>	116.5

### Supply Connections

Requires Installation	Yes
Requires Electrical Supply	Yes
UK 3 Pin Plug	No
Requires Hardwiring	Yes
Electrical Supply Rating Watts	4,950
Single Phase Amps	21.5
Single Phase Voltage	230

### Shipping

Packed Weight Kg	136.5
Packed Height cm	110
Packed Width cm	155
Packed Depth cm	90

### Available Options

#### Overshelf or Gantry

PG4A	PG4A - Ambient Gantry
PG4H	PG4H - Heated Gantry
PS4A1	PS4A1 - 1 Ambient Overshelf
PS4A2	PS4A2 - 2 Ambient Overshelves
PS4A3	PS4A3 - 3 Ambient Overshelves
PS4H1	PS4H1 - 1 Heated Overshelf
PS4H2	PS4H2 - 2 Heated Overshelves
PS4H3	PS4H3 - 3 Heated Overshelves

#### Door Locks

PDL4	PDL4 - Lockable Door
------	----------------------

#### Corner Guards

PCG	PCG - Corner Guards [Set of Four]
-----	-----------------------------------

#### Trayslides

PTS4	PTS4 - Tray Slide
------	-------------------

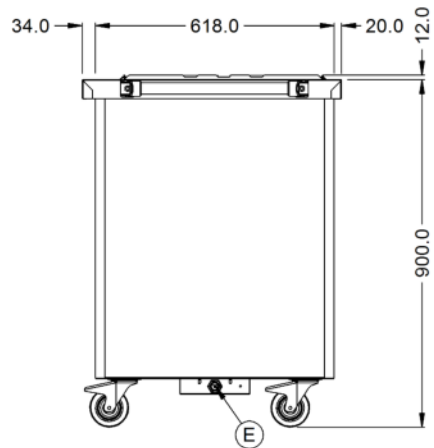
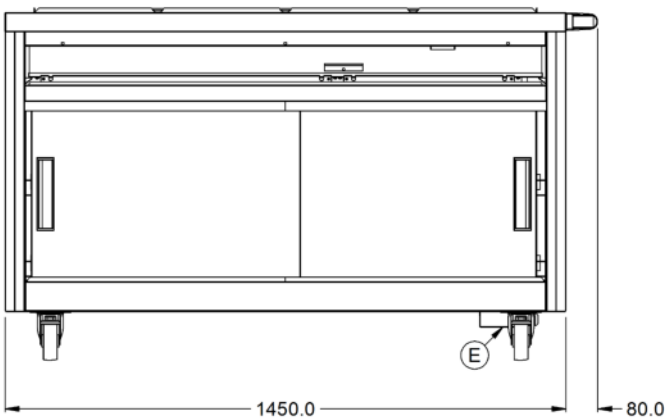
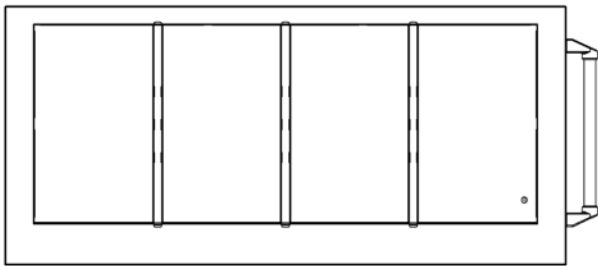
#### Legs/Castors

PLK	PLK - Legs [non chargeable]
-----	-----------------------------

### Available Accessories

CP16	CP16 - CARVERY PAD [1/1 GASTRONORM SIZE]
PGK1	PGK1 - GASTRONORM PACK
PGK10	PGK10 - GASTRONORM PACK
PGK11	PGK11 - GASTRONORM PACK
PGK12	PGK12 - GASTRONORM PACK
PGK2	PGK2 - GASTRONORM PACK
PGK3	PGK3 - GASTRONORM PACK
PGK8	PGK8 - GASTRONORM PACK
PGK9	PGK9 - GASTRONORM PACK
PHTC	PHTC - CERAMIC INSERT [1/1 GASTRONORM SIZE]
PHTG	PHTG - GLASS INSERT [1/1 GASTRONORM SIZE]
PLK/S	PLK/S - LEG KIT [FOR CONVERSION IN THE FIELD]

### Technical Picture



**Lincat Limited**

Whisby Road,  
Lincoln, LN6 3QZ,  
United Kingdom

**Company No:** 2175448

A member company of



**Customer Care**

**Tel:** +44 1522 875500  
**Email:** care@lincat.co.uk

**Export Customers**

**Tel:** +44 1522 503250  
**Email:** export@lincat.co.uk

**Opening Hours**

**Monday – Friday:**  
8.30am – 5pm