



OE8304 - Opus 800
Electric Counter-top
Salamander Grill - W 800
mm - 4.4 kW

A fast-heating Opus 800 Electric Salamander Grill with powerful heating elements and four shelf positions with horizontal or angled settings for added flexibility.

✔ Powerful heating elements, for reliability and rapid heat up

✔ Four shelf positions with horizontal or angled settings

Specifications

Summary

Range Name	Opus 800
Power Type	Electric
Unit Type	Counter-top
Available in UK Only	No
UK Warranty	2 Years Parts and Labour Warranty
Export Warranty	Contact your local dealer
GTIN Code	5056105102625

Power and Performance

Gastronorm Capacity	1 x GN1/1
Total Power kW	4.4
IP Rating	IP23
Cooking Area (Width x Depth) mm	530 x 265
Temperature Control	Mechanical

Key Specifications

Number of Shelves included	1
Number of Shelf Positions	4
Number of Heat Zones	1

Weights and Dimensions

Unit Height (External) mm	400
Unit Width (External) mm	800
Unit Depth (External) mm	415
Shelf Dimensions Width mm	530
Shelf Dimensions Depth mm	265
Net Weight Kg	39

Supply Connections

Requires Installation	Yes
UK 3 Pin Plug	No
Requires Hardwiring	Yes
Electrical Supply Rating Watts	4,400
Single Phase Amps	19.1
Single Phase Voltage	230

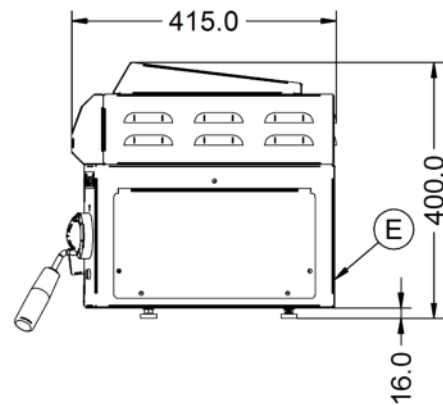
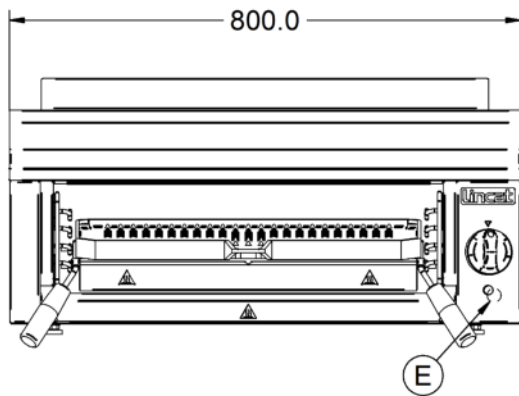
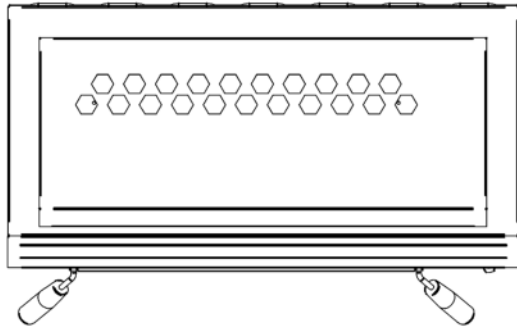
Shipping

Packed Weight Kg	48
Packed Height cm	80
Packed Width cm	91
Packed Depth cm	51

Available Accessories

OA8907	Opus 800 Free-standing Floor Stand with Legs - for units W 800 mm
OA8908	Opus 800 Free-standing Bench Stand - for units W 800 mm
OA8909	WALL BRACKET OG8301/OE8304
OA8912	Opus 800 Free-standing Floor Stand with Legs - for units W 900 mm
OA8918	Opus 800 Free-standing Bench Stand - for units W 900 mm
OA8976	BRANDING PLATE ACCESSORY FOR OG8301

Technical Picture



Lincat Limited

Whisby Road,
Lincoln, LN6 3QZ,
United Kingdom

Company No: 2175448

A member company of



Customer Care

Tel: +44 1522 875500
Email: care@lincat.co.uk

Export Customers

Tel: +44 1522 503250
Email: export@lincat.co.uk

Opening Hours

Monday – Friday:
8.30am – 5pm