



## LD3 - Seal Counter-top Heated Display with Gantry - 3 x 1/1 GN - W 1130 mm - 2.4 kW

The Seal Heated Display with Gantry is perfect for when you want to attract customers with delicious dishes and offer a low budget solution to keeping pre-cooked food warm at the same time.

- ✔ Minimum food holding temperature of 72°C
- ✔ Thermostatic control allows base heat to be adjusted to suit a variety of food products
- ✔ Aluminium surface for energy-efficient heat conduction
- ✔ An affordable choice for when overhead heat and illumination is not needed – for example where covered dishes are served
- ✔ Robust stainless steel construction – hygienic and easy to clean

### Specifications

#### Summary

<b>Range Name</b>	Seal
<b>Power Type</b>	Electric
<b>Unit Type</b>	Counter-top
<b>Available in UK Only</b>	No
<b>UK Warranty</b>	2 Years Parts and Labour Warranty
<b>Export Warranty</b>	Contact your local dealer
<b>GTIN Code</b>	5056105104353

#### Power and Performance

<b>Gastronorm Capacity</b>	3 x GN1/1
<b>Total Power kW</b>	2.4
<b>Temperature Range °C</b>	72 [minimum]
<b>IP Rating</b>	IP33
<b>Temperature Control</b>	Mechanical

#### Key Specifications

<b>Type of Lighting</b>	Halogen heat lamps
<b>Heated Base</b>	Yes
<b>Heated Gantry</b>	Yes

#### Weights and Dimensions

<b>Unit Height (External) mm</b>	560
<b>Unit Width (External) mm</b>	1130
<b>Unit Depth (External) mm</b>	538
<b>Net Weight Kg</b>	26.3

#### Supply Connections

<b>Requires Installation</b>	No
<b>Requires Electrical Supply</b>	Yes
<b>UK 3 Pin Plug</b>	Yes
<b>Requires Hardwiring</b>	No
<b>Electrical Supply Rating Watts</b>	2,400
<b>Single Phase Amps</b>	10.4
<b>Single Phase Voltage</b>	230

#### Shipping

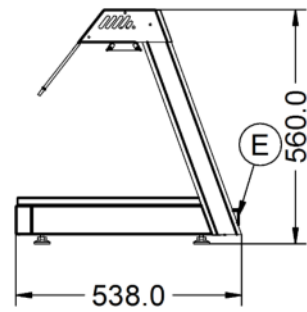
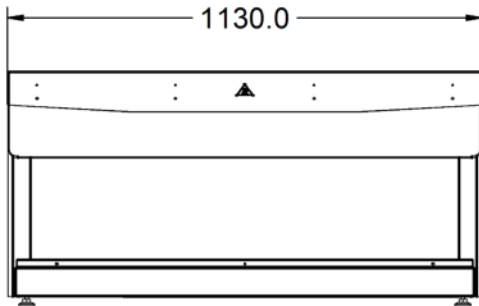
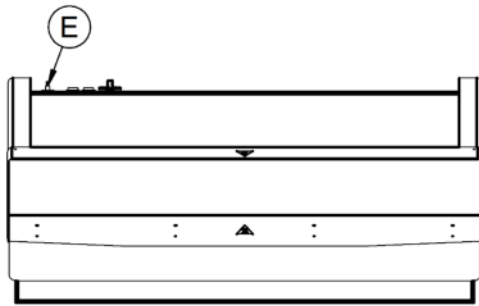
<b>Packed Weight Kg</b>	34.5
<b>Packed Height cm</b>	67
<b>Packed Width cm</b>	157
<b>Packed Depth cm</b>	57

### Available Accessories

LDBM3

LD ACCESSORY

### Technical Picture



**Lincat Limited**

Whisby Road,  
Lincoln, LN6 3QZ,  
United Kingdom

**Company No:** 2175448

A member company of



**Customer Care**

**Tel:** +44 1522 875500  
**Email:** care@lincat.co.uk

**Export Customers**

**Tel:** +44 1522 503250  
**Email:** export@lincat.co.uk

**Opening Hours**

**Monday – Friday:**  
8.30am – 5pm