



LD2 - Seal Counter-top Heated Display with Gantry - 2 x 1/1 GN - W 790 mm - 1.5 kW

The Seal Heated Display with Gantry is perfect for when you want to attract customers with delicious dishes and offer a low budget solution to keeping pre-cooked food warm at the same time.

- ✓ Minimum food holding temperature of 72°C
- ✓ Thermostatic control allows base heat to be adjusted to suit a variety of food products
- ✓ Aluminium surface for energy-efficient heat conduction
- ✓ An affordable choice for when overhead heat and illumination is not needed – for example where covered dishes are served
- ✓ Robust stainless steel construction – hygienic and easy to clean

Specifications

Summary

Range Name	Seal
Power Type	Electric
Unit Type	Counter-top
Available in UK Only	No
UK Warranty	2 Years Parts and Labour Warranty
Export Warranty	Contact your local dealer
GTIN Code	5056105104346

Power and Performance

Gastronorm Capacity	2 x GN1/1
Total Power kW	1.5
Temperature Range °C	72 [minimum]
IP Rating	IP33
Temperature Control	Mechanical

Key Specifications

Type of Lighting	Halogen heat lamps
Heated Base	Yes
Heated Gantry	Yes

Weights and Dimensions

Unit Height (External) mm	560
Unit Width (External) mm	790
Unit Depth (External) mm	538
Net Weight Kg	18.7

Supply Connections

Requires Installation	No
Requires Electrical Supply	Yes
UK 3 Pin Plug	Yes
Requires Hardwiring	No
Electrical Supply Rating Watts	1,500
Single Phase Amps	6.5
Single Phase Voltage	230

Shipping

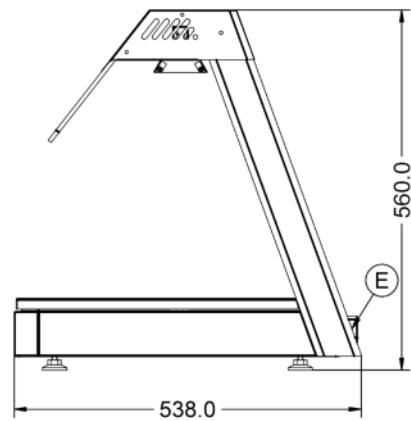
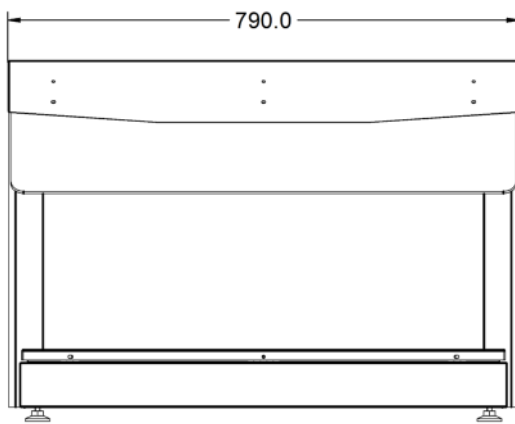
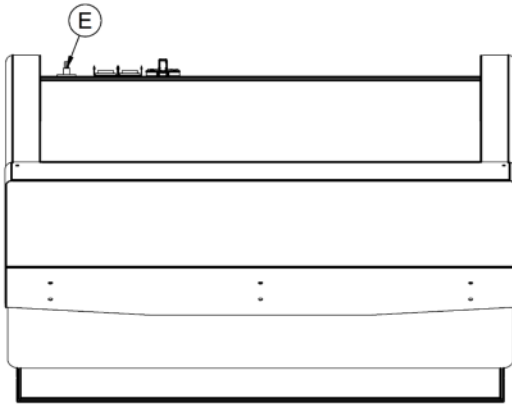
Packed Weight Kg	25.1
Packed Height cm	88.3
Packed Width cm	70.3
Packed Depth cm	70.3

Available Accessories

LDBM2

LD ACCESSORY

Technical Picture



Lincat Limited

Whisby Road,
Lincoln, LN6 3QZ,
United Kingdom

Company No: 2175448

A member company of



Customer Care

Tel: +44 1522 875500
Email: care@lincat.co.uk

Export Customers

Tel: +44 1522 503250
Email: export@lincat.co.uk

Opening Hours

Monday – Friday:
8.30am – 5pm