



## GG1 - Lynx 400 Electric Counter-top Heavy Duty Contact Grill - Smooth Upper & Lower Plates - W 395 mm - 3.0 kW

Designed to seal in the juices, the quick-heating 3kW Lynx 400 Contact Grill produces mouthwatering results every time, whether you're making toasted sandwiches or grilling succulent meats.

- ✓ Heavy duty, higher powered griddle
- ✓ Smooth plates top and bottom for an even colour
- ✓ Higher capacity for increased output in busy periods
- ✓ Ideal for front of house use
- ✓ Great for sealing in juices and flavour for succulent results - and minimal shrinkage
- ✓ Cast aluminium plates give an even heat distribution
- ✓ Non stick coated plates for easy cleaning
- ✓ Plug and play for an easy installation

### Specifications

| Summary              |                                   | Power and Performance           |            |
|----------------------|-----------------------------------|---------------------------------|------------|
| Range Name           | Lynx 400                          | Total Power kW                  | 3.0        |
| Power Type           | Electric                          | IP Rating                       | IP23       |
| Unit Type            | Counter-top                       | Cooking Area (Width x Depth) mm | 358 x 258  |
| Available in UK Only | No                                | Temperature Control             | Mechanical |
| UK Warranty          | 2 Years Parts and Labour Warranty |                                 |            |
| Export Warranty      | Contact your local dealer         |                                 |            |
| GTIN Code            | 5056105101161                     |                                 |            |

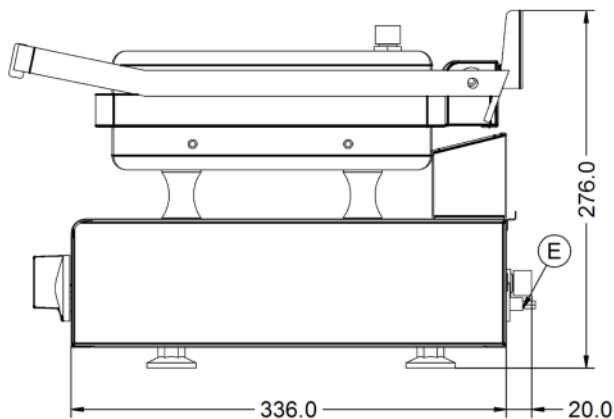
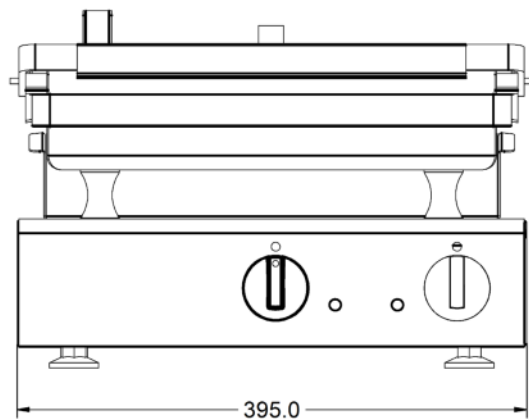
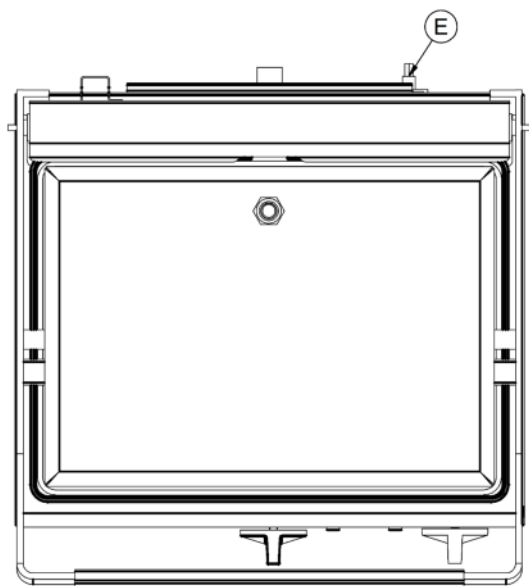
| Key Specifications           |           | Weights and Dimensions    |      |
|------------------------------|-----------|---------------------------|------|
| Top Grill Plate Surface Type | Smooth    | Unit Height (External) mm | 276  |
| Grill Plate Surface Type     | Smooth    | Unit Width (External) mm  | 395  |
| Grill Plate Material         | Aluminium | Unit Depth (External) mm  | 356  |
|                              |           | Net Weight Kg             | 23.1 |

| Supply Connections             |       | Shipping         |      |
|--------------------------------|-------|------------------|------|
| Requires Installation          | No    | Packed Weight Kg | 25.4 |
| Requires Electrical Supply     | Yes   | Packed Height cm | 42   |
| UK 3 Pin Plug                  | Yes   | Packed Width cm  | 48.5 |
| Requires Hardwiring            | No    | Packed Depth cm  | 48.5 |
| Electrical Supply Rating Watts | 3,000 |                  |      |
| Single Phase Amps              | 13.0  |                  |      |
| Single Phase Voltage           | 230   |                  |      |

### Available Accessories

- OS1 OMELETTE SPACER - FOR GG1
- SS1 SANDWICH SPACER - FOR GG1

### Technical Picture



**Lincat Limited**

Whisby Road,  
Lincoln, LN6 3QZ,  
United Kingdom

**Company No:** 2175448

A member company of



**Customer Care**

**Tel:** +44 1522 875500  
**Email:** care@lincat.co.uk

**Export Customers**

**Tel:** +44 1522 503250  
**Email:** export@lincat.co.uk

**Opening Hours**

**Monday – Friday:**  
8.30am – 5pm