



INSTRUCTIONS FOR USE

Magrini Baby Change Unit - Model MH42

IMPORTANT: RETAIN FOR FUTURE REFERENCE. READ CAREFULLY.

This changing unit must be fixed to the wall for safe use of the product and the fastenings used should be appropriate to the wall. This unit does not require a changing pad and therefore, no pad is supplied with this unit. To assure proper installation, we suggest that a qualified person install this unit.

Magrini Ltd., will not be responsible if the changing station is not installed correctly.

All recommended fixings are supplied. Replacements are available free of charge from Magrini - do not use less substantial fittings. We recommend the use of a torque controlled power tool to fully tighten the fixings. This ensures that the plug opens and firmly grips the substrate. We recommend that the unit be installed to brickwork or blockwork. If installing to a cavity wall, then a sound fixing to joists is required. We DO NOT recommend fixing onto toilet or changing room cubicle walls.

Changing Unit Fixing Parts (supplied):

4 No. Pan Head Screws
6mm x 70mm long



4 No. Fixing Plugs
10mm x 60mm



4 No. Flat Washers
19mm with 6.5mm hole



Bump Stop Fixing Kit (supplied):

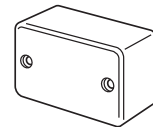
2 No. Round Head Screws
4mm x 50mm long



2 No. Fixing Plugs
5.5mm x 34mm



1 No. Rubber
Bump Stop



Tools required:

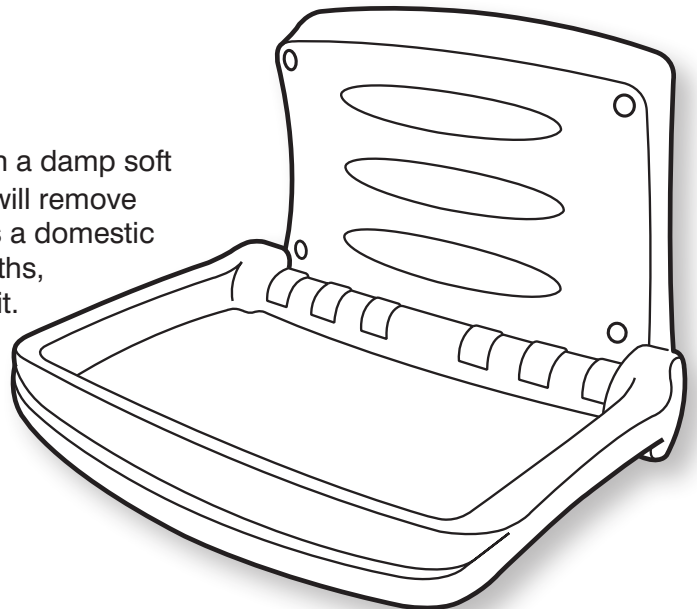
- Drill
- No.2 Pozidrive Screwdriver
- 10mm and 5.5mm Masonry Drill Bit
- Spirit Level

Cleaning Instructions

The nappy changing unit may be washed and wiped with a damp soft cloth or sponge. Use of mild detergent and warm water will remove the majority of dust and stains. For more obstinate stains a domestic cream cleaner can be used. Do not use any abrasive cloths, caustic or solvent cleaners as these may damage the unit.

Maintenance Instructions

Open the unit and check that the four wall mounting fixings are secure. Check that the changing bed does not rest below the horizontal position. Ensure warning label is in place on the inside of the unit and general cleanliness is within given guidelines. Ensure closing mechanism returns the tray to the upright position. Any replacement parts must be obtained from Magrini only.



WARNING: DO NOT LEAVE THE CHILD UNATTENDED.

Weight/age of the child for which the product is intended: 12 months, up to 11kg.

Do not use the changing unit when any part is broken, torn or missing.

RECYCLING INFORMATION		
OUTER CARTON	HINGE ROD & GAS STRUT	BASE & TRAY



Magrini Limited, Unit 5 Maybrook Industrial Estate, Brownhills, Walsall WS8 7DG
t: 01543 375311 • e: sales@magrini.co.uk • w: www.magrini.co.uk



INSTRUCTIONS FOR USE

Magrini Baby Change Unit - Model MH42

For fixing into blockwork or brickwork:

Use 4 pan head screws (6mm dia. x 70mm long) together with large size 10mm block fixing anchor, (both supplied). DO NOT use shorter screws than 70mm.

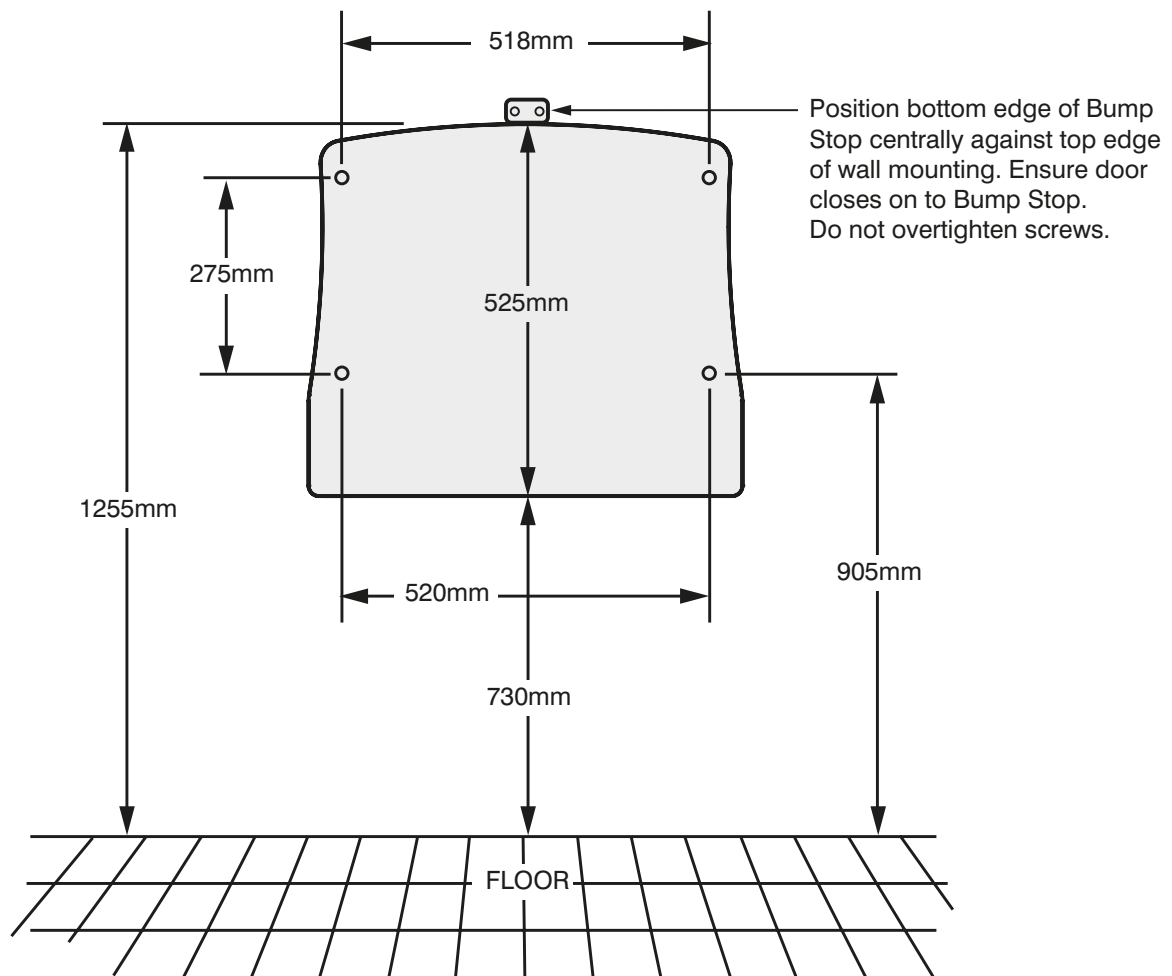
Use the 19mm with 6.5mm hole flat washer (supplied) on all four fasteners. This is important to prevent the unit pulling over the screw heads.

For fixing into wood or metal wall studs:

Use the 6mm x 70mm pan head tapping screw for fixing into the wall studs.

Use the 19mm with 6.5mm hole flat washer (supplied) on all four fasteners. This is important to prevent the unit pulling over the screw heads.

Note: All assembly fittings shall always be correctly tightened and checked regularly. Screws shall not be loose because a child can squeeze parts of the body, or clothing (e.g. strings, necklaces, ribbons for babies, dummies, etc.) could get caught. There would be danger of strangulation. Units should be fitted no less than 100mm from the corner of the room to enable access for cleaning. Be aware of the risk of open fire and other sources of strong heat, such as electric bar fires, gas fires etc. in the near vicinity of the unit.



Magrini Limited, Unit 5 Maybrook Industrial Estate, Brownhills, Walsall WS8 7DG
t: 01543 375311 • e: sales@magrini.co.uk • w: www.magrini.co.uk