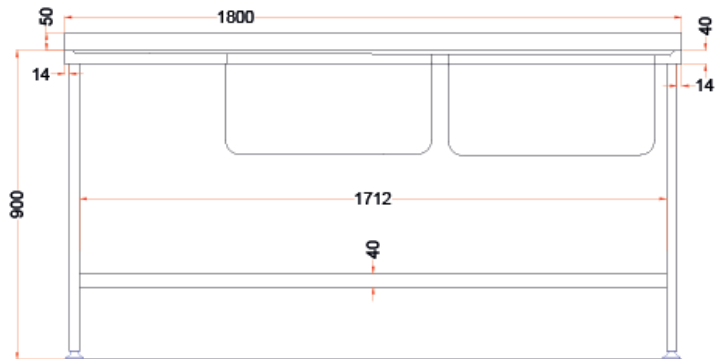
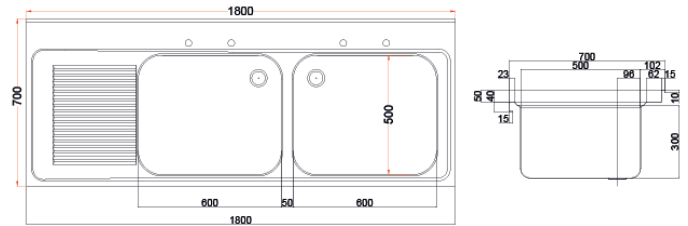




STAINLESS STEEL SINK - DR395 FULLY WELDED

DIMENSIONS



This strong, fully welded 1800mm wide sink from Holmes features a left side drainer with double bowl on the right side, with a robust undershelf offering additional storage for supplies and utensils. The sink is manufactured from 304 stainless steel, which is smooth, hygienic and easy to clean whilst offering high resistance to corrosion and staining making it perfect for use in commercial kitchens.

TECHNICAL DATA

Unpacked height (mm)	900 + 50 upstand
Unpacked width (mm)	1800
Unpacked depth (mm)	700
Weight (kg)	28
Material top	SAE grade 304; EN 1.4301, X5CrNi18-10
Material sub-top	SAE grade 430; EN 1.4016, X6Cr17
Surface finish	Satin
Type of Mounting	Floor
Feet	Adjustable

Property of Holmes