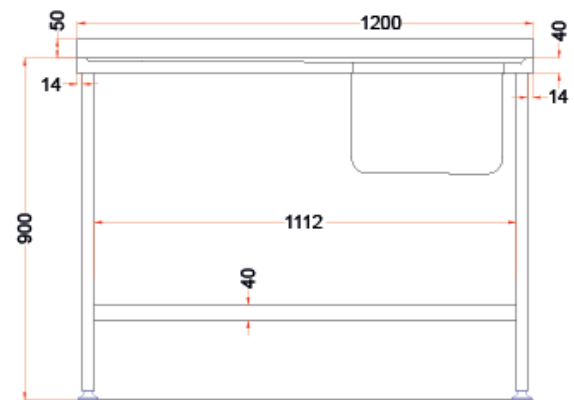
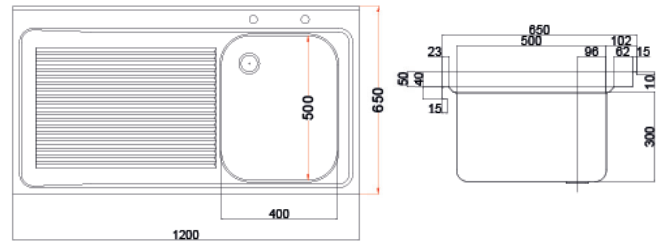




STAINLESS STEEL SINK - DR383 FULLY WELDED

DIMENSIONS



This fully welded 1200mm wide sink from Holmes features a left hand drainer with right hand bowl, and is easy to assemble. The sink is made with 304 stainless steel, which is smooth, hygienic and easy to clean whilst offering high resistance to corrosion and staining making it perfect for use in commercial kitchens. Create practical and hygienic washing areas in your kitchen with this commercial sink which also features a strong undershelf for extra storage.

TECHNICAL DATA

Unpacked height (mm)	900 + 50 upstand
Unpacked width (mm)	1200
Unpacked depth (mm)	650
Weight (kg)	17
Material top	SAE grade 304; EN 1.4301, X5CrNi18-10
Material sub-top	SAE grade 430; EN 1.4016, X6Cr17
Surface finish	Satin
Type of Mounting	Floor
Feet	Adjustable

Property of Holmes