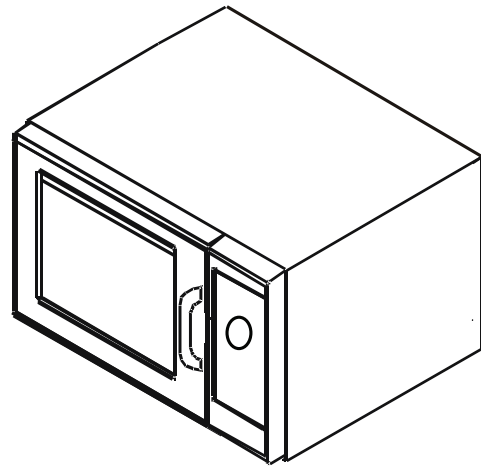
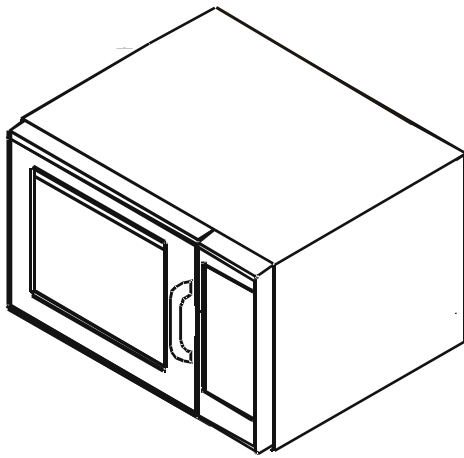


Owner's Manual



Commercial Microwave Oven

Keep these instructions for future reference.
If the oven changes ownership, this manual
must accompany oven.

Contents

Model Identification	2
PRECAUTIONS TO AVOID POSSIBLE EXPOSURE TO EXCESSIVE MICROWAVE ENERGY	3
IMPORTANT SAFETY INSTRUCTIONS ...	3
Grounding Instructions	5
Installation	6
Display and Features	7
Using the Oven Control (Electronic Models)	9
Programming the Oven Control (Electronic Models)	10
User Options (Electronic Models)	11
Digital Dial Operation Style 1	12
Digital Dial Operation Style 2	13
Dial Operation Style 3	14
Care and Cleaning	15
Before Calling for Service	16

Model Identification

When contacting ACP, provide product information. Product information is located on oven serial plate which is located on the back side of the oven. Record the following information:

Model Number: _____

Manufacturing Number: _____

Serial or S/N Number: _____

Date of purchase: _____

Dealer's name and address: _____

Any questions or to locate an authorized ACP servicer, call toll free 1-866-426-2621 inside the U.S.A or Canada, or 1-319-368-8120 outside the U.S.A or Canada.

Warranty service must be performed by an authorized ACP servicer. ACP also recommends contacting an authorized ACP servicer if service is required after warranty expires.

IMPORTANT SAFETY INSTRUCTIONS



This is the safety alert symbol. It is used to alert you to potential personal injury hazards. Obey all safety messages that follow this symbol to avoid possible injury or death.



WARNING

When using electrical equipment, basic safety precautions should be followed to reduce the risk of burns, electrical shock, fire, or injury to persons.

1. READ all instructions before using equipment.
2. READ AND FOLLOW the specific "PRECAUTIONS TO AVOID POSSIBLE EXPOSURE TO EXCESSIVE MICROWAVE ENERGY" on this page.
3. This equipment **MUST BE EARTHED**. Connect only to properly **EARTHED** outlet. See "EARTHING INSTRUCTIONS" on page 5.
4. Install or locate this equipment **ONLY** in accordance with the installation instructions in this manual.
5. Some products such as whole eggs and sealed containers—for example, closed glass jars—are able to explode and **SHOULD NOT** be **HEATED** in this oven.
6. Use this equipment **ONLY** for its intended use as described in this manual. Do not use corrosive chemicals or vapors in this equipment. This type of oven is specifically designed to heat, cook, or dry food. It is not designed for industrial or laboratory use.
7. As with any equipment, **CLOSE SUPERVISION** is necessary when used by **CHILDREN**.
8. **DO NOT** heat baby bottles in oven.
9. Baby food jars shall be open when heated and contents stirred or shaken before consumption, in order to avoid burns.
10. **DO NOT** operate this equipment if it has a damaged cord or plug, if it is not working properly, or if it has been damaged or dropped.
11. This equipment, including power cord, must be serviced **ONLY** by qualified service personnel. Special tools are required to service equipment. Contact nearest authorized service facility for examination, repair, or adjustment.
12. **DO NOT** cover or block filter or other openings on equipment.
13. **DO NOT** store this equipment outdoors. **DO NOT** use this product near water – for example, near a kitchen sink, in a wet basement, a swimming pool, or a similar location.
14. **DO NOT** immerse cord or plug in water.
15. Keep cord **AWAY** from **HEATED** surfaces.
16. **DO NOT** let cord hang over edge of table or counter.
17. For commercial use only.

PRECAUTIONS TO AVOID POSSIBLE EXPOSURE TO EXCESSIVE MICROWAVE ENERGY

- A. **DO NOT** attempt to operate this oven with the door open since open door operation can result in harmful exposure to microwave energy. It is important not to defeat or tamper with the safety interlocks.
- B. **DO NOT** place any object between the oven front face and the door or allow soil or cleaner residue to accumulate on sealing surfaces.
- C. **DO NOT** operate the oven if it is damaged. It is particularly important that the oven door close properly and that there is no damage to the:
 1. door (bent)
 2. hinges and latches (broken or loosened)

SAVE THESE INSTRUCTIONS

IMPORTANT SAFETY INSTRUCTIONS



WARNING

To avoid risk of fire in the oven cavity:

- a. DO NOT overcook food. Carefully attend oven when paper, plastic, or other combustible materials are placed inside the oven to facilitate cooking.
- b. Remove wire twist-ties from paper or plastic bags before placing bag in oven.
- c. If materials inside the oven ignite, keep oven door CLOSED, turn oven off and disconnect the power cord, or shut off power at the fuse or circuit breaker panel.
- d. DO NOT use the cavity for storage. DO NOT leave paper products, cooking utensils, or food in the cavity when not in use.



WARNING

Liquids such as water, coffee, or tea are able to be overheated beyond the boiling point without appearing to be boiling due to surface tension of the liquid. Visible bubbling or boiling when the container is removed from the microwave oven is not always present. THIS COULD RESULT IN VERY HOT LIQUIDS SUDDENLY BOILING OVER WHEN A SPOON OR OTHER UTENSIL IS INSERTED INTO THE LIQUID. To reduce the risk of injury to persons:

- i) Do not overheat the liquid.
- ii) Stir the liquid both before and halfway through heating it.
- iii) Do not use straight-sided containers with narrow necks.
- iv) After heating, allow the container to stand in the microwave oven for a short time before removing the container.
- v) Use extreme care when inserting a spoon or other utensil into the container.



CAUTION

To avoid personal injury or property damage, observe the following:

1. Do not deep fat fry in oven. Fat could overheat and be hazardous to handle.
2. Do not cook or reheat eggs in shell or with an unbroken yolk using microwave energy. Pressure may build up and erupt. Pierce yolk with fork or knife before cooking.
3. Pierce skin of potatoes, tomatoes, and similar foods before cooking with microwave energy. When skin is pierced, steam escapes evenly.
4. Do not operate equipment without load or food in oven cavity.
5. Use only popcorn in packages designed and labeled for microwave use. **Popping time varies depending on oven wattage.** Do not continue to heat after popping has stopped. Popcorn will scorch or burn. Do not leave oven unattended.
6. Do not use regular cooking thermometers in oven. Most cooking thermometers contain mercury and may cause an electrical arc, malfunction, or damage to oven.
7. Do not use metal utensils in oven.
8. Never use paper, plastic, or other combustible materials that are not intended for cooking.
9. When cooking with paper, plastic, or other combustible materials, follow manufacturer's recommendations on product use.
10. Do not use paper towels which contain nylon or other synthetic fibers. Heated synthetics could melt and cause paper to ignite.
11. Do not heat sealed containers or plastic bags in oven. Food or liquid could expand quickly and cause container or bag to break. Pierce or open container or bag before heating.
12. To avoid pacemaker malfunction, consult physician or pacemaker manufacturer about effects of microwave energy on pacemaker.
13. An authorized servicer MUST inspect equipment annually. Record all inspections and repairs for future use.
14. Clean oven regularly and remove any food deposits.
15. To avoid surface deterioration, keep the oven in a clean condition. Infrequent cleaning could adversely affect the life of the appliance and possibly result in a hazardous situation.

SAVE THESE INSTRUCTIONS

Grounding Instructions



WARNING

To avoid risk of electrical shock or death, this oven must be grounded.



WARNING

To avoid risk of electrical shock or death, do not alter the plug.

This oven **MUST** be grounded. In the event of an electrical short circuit, grounding reduces the risk of electric shock by providing an escape wire for the electric current. This oven is equipped with a cord having a grounding wire with a grounding plug. The plug must be plugged into an outlet that is properly installed and grounded.

Consult a qualified electrician or servicer if grounding instructions are not completely understood, or if doubt exists as to whether the oven is properly grounded.

Do not use an extension cord. If the product power cord is too short, have a qualified electrician install a three-slot receptacle. This oven should be plugged into a separate circuit with the electrical rating as shown on the oven's serial plate / rating label. When a microwave oven is on a circuit with other equipment, an increase in cooking times may be required and fuses can be blown.

Earthing Instructions

Oven MUST be earthed. Earthing reduces risk of electric shock by providing an escape wire for the electric current, if an electrical short occurs. This oven is equipped with a cord having a earth wire with a earthing plug. The plug must be plugged into an outlet that is properly installed and earthed.

Consult a qualified electrician or servicer if earthing instructions are not completely understood, or if doubt exists as to whether the oven is properly earthed.

Do not use an extension cord.

If the product power cord is too short, have a qualified electrician install a new receptacle close enough to the oven to plug the oven in. This oven should be plugged into a separate circuit with the electrical rating as provided in product specifications (available on www.acpsolutions.com). When a microwave oven is on a circuit with other equipment, an increase in cooking times may be required and fuses can be blown.

External Equipotential Earthing Terminal

(export only)

Equipment has secondary earthing terminal. Terminal provides external earthing connection used in addition to earthing prong on plug. Located on outside of oven back, terminal is marked with symbol shown below.



Installation

Unpacking Oven

- Inspect oven for damage such as dents in door or inside oven cavity.
- Report any dents or breakage to source of purchase immediately.
Do not attempt to use oven if damaged.
- Remove all materials from oven interior.
- If oven has been stored in extremely cold area, wait a few hours before connecting power.

Radio Interference

Microwave operation may cause interference to radio, television, or a similar oven. Reduce or eliminate interference by doing the following:

- Clean door and sealing surfaces of oven according to instructions in *Care and Cleaning* section.
- Place radio, television, etc. as far as possible from oven.
- Use a properly installed antenna on radio, television, etc. to obtain stronger signal reception.

Oven Placement

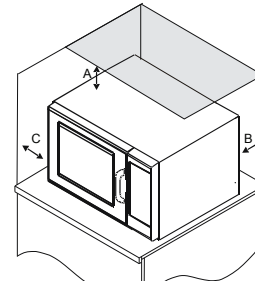
- Do not install oven next to or above source of heat, such as pizza oven or deep fat fryer. This could cause microwave oven to operate improperly and could shorten life of electrical parts.
- Do not block or obstruct oven filter. Allow access for cleaning.
- Install oven on level countertop surface.
- Place warning label in a conspicuous place close to microwave oven.
- Outlet should be located so that plug is accessible when oven is in place.

⚠ WARNING

Excessive Weight Hazard

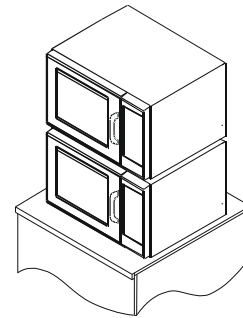
Use two or more people to move and install oven.

Failure to do so can result in back or other injury.



- A—For North American (UL/CSA) models, allow at least 2" (5.1 cm) of clearance around top of oven. For International (50 Hz) models, allow at least 12" (30 cm) of clearance around top of oven. Proper air flow around oven cools electrical components. With restricted air flow, oven may not operate properly and life of electrical parts is reduced.
- B—Allow at least 2" (5.1 cm) between air discharge on back of oven and back wall.
- C—Allow at least 2" (5.1 cm) of clearance around sides of oven.

Oven Clearances



Oven Stacking

- Oven stacking is allowed using stacking bracket located on oven back panel top hinge side corner.
- Using stacking brackets on back panel of ovens remove screws from stacking brackets and reattach them to back panel between both ovens securing them together using back panel screws.

Display and Features (some models)



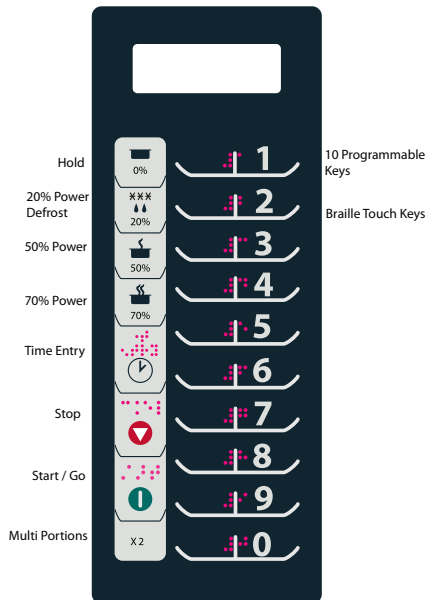
START Key

The START key is used to begin a manual time entry cooking cycle. It is also used to save any changes to programming sequences or user options.



STOP/RESET Key

The STOP/RESET key stops a cooking sequence in progress, clears out any remaining time, and also ends a programming or user option cycle. When the STOP/RESET key is used to end a programming or option change, the changes are discarded.



Single Key Programming

(example of key 1 shown)

This feature enables each numbered key to be programmed for a specific cooking procedure/use. To use this feature, simply program the key to the desired length of time and power level. To use this feature, press the key once and the microwave will begin cooking.



Double Key Programming

(some models)

This feature enables 100 programmed entries to be made. Each entry will be assigned a double digit number, for example 07 as shown. When using the double key programming, two keys must be pressed to start the cooking cycle.



Manual Time Entry

In addition to programmable keys, this microwave also accepts specific time entry by using the TIME ENTRY key. Using manual time entry does not affect the programmed buttons.



QTY X2 Key

The QTY X2 key increases a preset cooking time by a percentage of the original cooking time (cooking factor). The user may specify the percentage and it can be changed for individual cooking sequences. This feature is very useful for cooking multiple servings of foods. The QTY X2 key can be used with either single or double key programming. To change the cooking factor, see *Programming the Oven Control*.

Stage Cooking

P:-- Stage cooking is a cooking sequence with specific power stage changes. The user can program up to four different power level changes and the specific amount of cooking time at each power level. Each power level/cooking time combination is known as a stage. Up to four stages can be programmed.

User Options



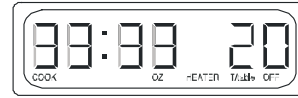
This microwave can be set for specific user preferences. Options such as beep volume, maximum cooking time, and the number of programmable keys can be changed. To change different options, see *User Options* in this manual.

The switching operation of this microwave oven can cause voltage fluctuations on the supply line. The operation of this oven under unfavorable voltage supply conditions can have adverse effects. This device is intended for the connection to a power supply system with a maximum permissible system impedance Z_{max} of **0.10 Ohms** at the interface point of the user's supply. The user has to ensure that this device is connected only to a power supply system which fulfills the requirement above. If necessary, the user can ask the public power supply company for the system impedance at the interface point.

Display and Features (some models)

Cooking Display

DISPLAYS	DESCRIPTION
READY	READY displays when oven control will accept entries.
00:00	Displays cooking time. If stage cooking is programmed, total cooking time is displayed.
HOLD 0% DEFR 20% MED 50% MED HI 70%	These settings display the current power level used for the microwave. If no display is shown, microwave is running at full power (100%).
POWER	POWER is displayed while the oven is generating microwave energy during a cooking cycle.



Display

Some items in the display can be seen but are not available depending on model.

Programming Display

DISPLAYS	DESCRIPTION
P:0	Displays when oven is in programming mode for single key memory only.
P:	Displays when oven is in programming mode for double key memory.
OP: --	Displays when oven is in user option mode. User options can then be set or specified.
CF:	Displays with a numerical cooking factor when the X2 key is pressed.
P:-- ¹	Displays briefly when programming a specific cooking stage. Number (1 through 4) indicates the stage that is being programmed.



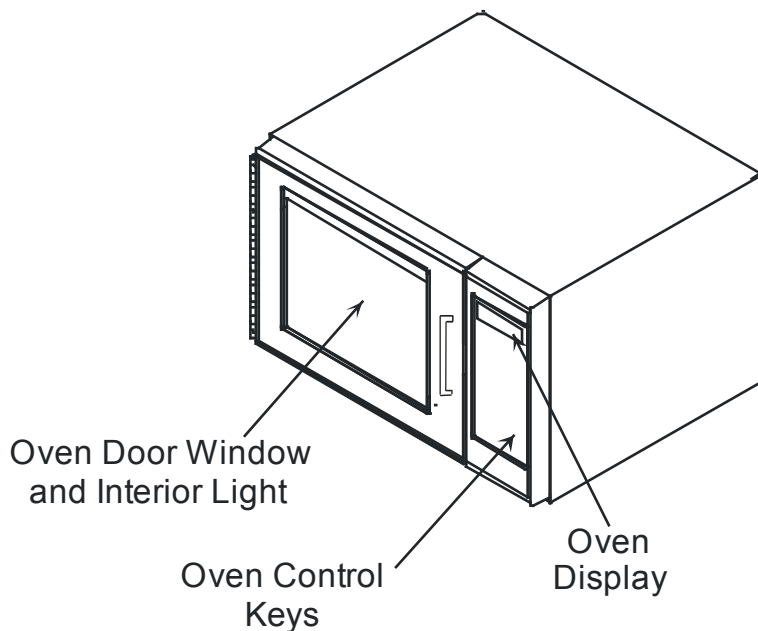
Ready

Ready displays when an oven control will accept entries.



Cooking Displays

33:33 displays total cooking time. When more than one cooking stage is programmed, total time for all stages displays. COOK displays when oven is operating. DEFROST 20%, MEDIUM 50%, or MED-HI 70% will display to indicate microwave power level being used. HOLD 0% does not display COOK. If oven power level is set to 0%, oven does not heat for programmed time. If no power level is displayed, the microwave is operating at 100% power.



Using the Oven Control (Electronic Control)



Interrupting Operation

Open oven door or press STOP/RESET key to interrupt operation. Display continues to show countdown time. Close door and press START key to resume oven operation.

X2

QTY X2 Key

To increase cooking time by a specific cooking factor when cooking more than one serving. The cooking factor is a percentage of the original cooking time (from 10 to 100%).

- Open oven door and place food in oven. Close door.
 - READY** displays. Fan and light will turn on.
- Press X2 key.
 - Amount of time added is a percentage of the original preprogrammed cooking time.
 - The percentage can be changed. See *Programming the Oven Control* section in this manual.
- Press desired preprogrammed key or key sequence.
- Oven begins cooking. Displayed cooking time is the total of original cooking time plus the added X2 time.

Manual Time Entry

To cook food using a specific entered time and power level.

- Open oven door and place food in oven. Close door.
 - READY** displays. Fan and light will turn on.
- Press TIME ENTRY key.
 - READY** and 0000 display.
 - If pad does not work, open and close oven door and try again.
- Enter cooking time by using the numbered keys.
- Press a power level key to change power level if desired.
 - POWER LEVEL** displays with the power setting.
 - 00 indicates 0% microwave power, 20 indicates 20%, 50 indicates 50% and 70 indicates 70% microwave power. If a number is not displayed with POWER LEVEL the microwave is set to full power.
- If stage cooking is desired, press TIME ENTRY key and repeat steps 3 through 4.
 - Display changes to cook time and power level for the next stage.
- Enter cook time and power level as in steps 3 and 4.
 - To add another cooking stage press TIME ENTRY key again.
 - Up to four different stages can be programmed.
- Press START key.
 - Oven operates and time counts down.
 - POWER, COOK LEVEL** and cooking time display.
- At end of cooking cycle oven beeps and shuts off.



Programmed Keys

To cook food using keys preprogrammed with cooking sequences.

- Open oven door and place food in oven. Close door.
 - READY** displays. Fan and light will turn on.
- Press desired key.
 - For single key entry, press only one key.
 - For double key entry, press the two keys, in order, of the double digit number for the desired cooking sequence.
 - To change single or double key entry option see *User Options* section in this manual.
- Oven begins to cook.
 - POWER**, power level and total cooking time display. If power level does not display, microwave is cooking at full power.
 - For additional cooking time, press preprogrammed key again to begin cooking sequence again.
- At end of cooking cycle oven beeps and shuts off.



Factory Settings

Pad	Time	Pad	Time
1	10 sec.	6	1:30 min.
2	20 sec.	7	2 min.
3	30 sec.	8	3 min.
4	45 sec.	9	4 min.
5	1 min.	0	5 min.

Programming the Oven Control (Electronic Control)

Programming Keys

Oven is shipped from the factory for single key programming. To change the oven default to allow double key programming, see *User Option* section. To change the amount of time or the power level for a preset key:

1. Open oven door.
 - **READY** displays.
 - If door is closed or STOP key is pressed before programming is complete, changes are discarded and microwave exits programming mode.
2. Press and hold key 1 for approximately 5 seconds.
 - This begins programming mode.
 - Microwave will beep and PROGRAM displays. Oven is in programming mode.
3. Press key to be reprogrammed.
 - Press two keys if reprogramming a double pad program.
 - Power level and cooking time display.
 - If power level does not display, microwave is set to full power.
4. Enter cooking time by using the number keys.
5. Press a power level key to change power level if desired.
6. Press START key to save new programming changes to the key.
 - PROGRAM displays.
 - If START is not pressed, changes will not be saved.
7. Press STOP/RESET key or close oven door to exit programming mode.



? The display shows PROGRAM.

When set to single key or double key programming, the display will show PROGRAM when programming keys for single or double digit cooking sequences. To change the oven's default to allow either single key or double key programming, see the *User Option* section.

▼ Canceling Mistakes

If oven is not cooking, press STOP/RESET key to clear display. If oven is cooking, press STOP/RESET key once to stop oven, then again to clear display. If oven door is open and time shows in display, close oven door and press STOP/RESET key to clear display.

X2 QTY X2 Programming

This feature allows a preset percentage of original cook time, called a cooking factor, to be added to a cook sequence.

To change the cooking factor:

1. Open oven door.
2. Press and hold key 1 for approximately 5 seconds.
3. Press key to be reprogrammed.
4. Press the QTY X2 key.
5. Press a numbered key to change the cooking factor.
 - Cooking factor can be set from 10% to 100%.
 - Default is 80%.
 - Key 5 would change the cooking factor to 50%.
 - Key 3 would change the cooking factor to 30%.
6. Press START key to save changes.

Programming Multiple Stages

Stage cooking allows consecutive cooking cycles without interruption. Up to four different cooking cycles can be programmed into a memory key. To use stage cooking:

1. Follow steps 1 through 5 above.
6. Press TIME ENTRY key.
 - Display briefly shows the key number that is being programmed and the stage number to the upper right.
 - Display changes to cook time and power level for the next stage.
7. Enter cook time and power level as in steps 4 and 5.
 - To enter another cooking stage for that key, press TIME ENTRY key again.
 - Up to four different stages can be programmed.
8. Press START key to save new programming changes to the key.
9. Press STOP/RESET key or close oven door to exit programming mode.



User Options (Electronic Control)

Didn't like an option?

Factory settings are marked in bold. To change the oven back to the factory setting, simply select the option that is marked in bold.



My changes weren't saved.

In order for any changes to be saved, the START key must be pressed after selecting an option. Shutting the oven door or pressing the STOP/RESET key will not save changes.

Changing user options

Options such as single or double key programming, beep volume, and maximum cooking time can be changed to suit individual preferences. To change options:

1. Open oven door.
 - If door is closed or STOP/RESET key is pressed before programming is complete, changes are discarded and microwave exits programming mode.
2. Press and hold key 2 for approximately 5 seconds.
 - This begins options mode.
 - Microwave will beep and OP: -- displays. Microwave is now in programming mode.
3. Press number key that controls option to be changed.
 - See table below for options.
 - Current option will display.
4. Press number key again to change the option.
 - Each time key is pressed, option will change.
 - Match number code displayed with descriptions for desired option.
5. Press START key to save changes.
 - OP: -- shows in display.
 - To change additional options, repeat steps 3 and 4.
 - Changes appear after door is closed or STOP/RESET pad is pressed.

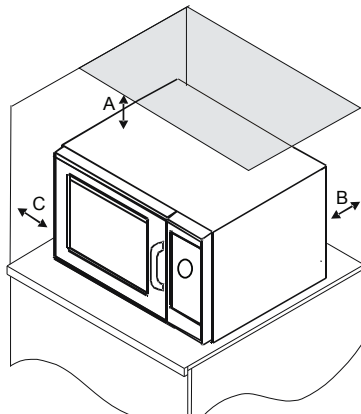
Numbered Keys	Display	Options (Factory Settings in Bold)
1 End of Cycle Beep	OP:10 OP:11 OP:12	3 second continuous beep. Continuous beep until door is opened. 5 beeps bursts until door is opened.
2 Key Beep Volume	OP:20 OP:21 OP:22 OP:23	Eliminates beep. Sets volume to low. Sets volume to medium. Sets volume to high.
3 Key Beep	OP:30 OP:31	Prevents beep when key is pressed. Allows beep when key is pressed.
4 Active Display	OP:40 OP:41 OP:42 OP:43	15 seconds after oven door is opened, keyboard disabled. 30 seconds after oven door is opened, keyboard disabled. 1 minute after oven door is opened, keyboard disabled. 2 minutes after oven door is opened, keyboard disabled.
5 On-the-Fly Cooking	OP:50 OP:51	Prevents different pre-programmed keys to be activated during cooking. Allows different pre-programmed keys to be activated during cooking.
6 Reset to Ready Mode	OP:60 OP:61	Opening oven door does not reset oven back to ready mode. Opening oven door resets oven back to ready mode.
7 Maximum Heating Time	OP:70 OP:71	Allows 60 minutes of heating time. Allows 10 minutes of heating time.
8 Manual Operation	OP:80 OP:81	Allows use of preprogrammed keys only. Allows use of manual time entry and preprogrammed keys.
9 Double Digit Operation	OP:90 OP:91	Allows 10 (0-9) preprogrammed keys. Allows 100 (00-99) preprogrammed keys.
0 Clean Filter Message	OP:00 OP:01 OP:02 OP:03	Oven will not display Clean Filter Oven will display Clean Filter every seven (7) days Oven will display Clean Filter every thirty (30) days Oven will display Clean Filter every ninety (90) days

Digital Dial Operation

STYLE 1

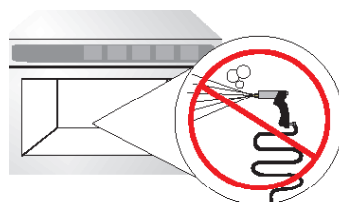
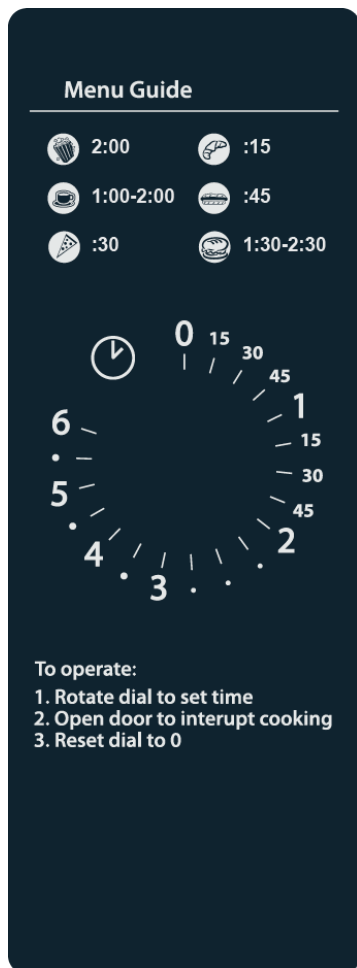
Digital Dial option is available on some models only.

The switching operation of this microwave oven can cause voltage fluctuations on the supply line. The operation of this oven under unfavorable voltage supply conditions can have adverse effects. This device is intended for the connection to a power supply system with a maximum permissible system impedance Z_{max} of **0.2 Ohms** at the interface point of the user's supply. The user has to ensure that this device is connected only to a power supply system which fulfills the requirement above. If necessary, the user can ask the public power supply company for the system impedance at the interface point.

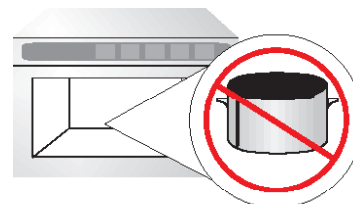


Oven Wall Clearances

- A—For North American (UL/CSA) models, allow at least 2" (5.1 cm) of clearance around top of oven. For International (50 Hz) models, allow at least 12" (30 cm) of clearance around top of oven. Proper air flow around oven cools electrical components. With restricted air flow, oven may not operate properly and life of electrical parts is reduced.
- B—Allow at least 2" (5.1 cm) between air discharge on back of oven and back wall.
- C—Allow at least 2" (5.1 cm) of clearance around sides of oven.



DO NOT power spray



No metal pans

So...how do I use it? (Digital Dial)

Heating

1. Open oven door, place food in oven, and close oven door.
2. Turn time entry knob clockwise to desired time.
 - Cooking time can be set up to 6 minutes.
 - Oven begins operation and time counts down.
3. When cooking time has elapsed, microwave energy stops and oven signal sounds.

Interrupting Operation

Open oven door to interrupt operation or turn time entry knob counterclockwise to "0". To resume microwave oven operation, close oven door.

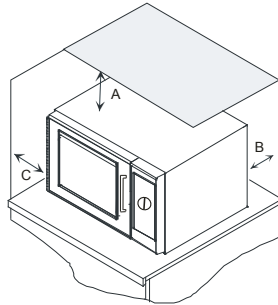
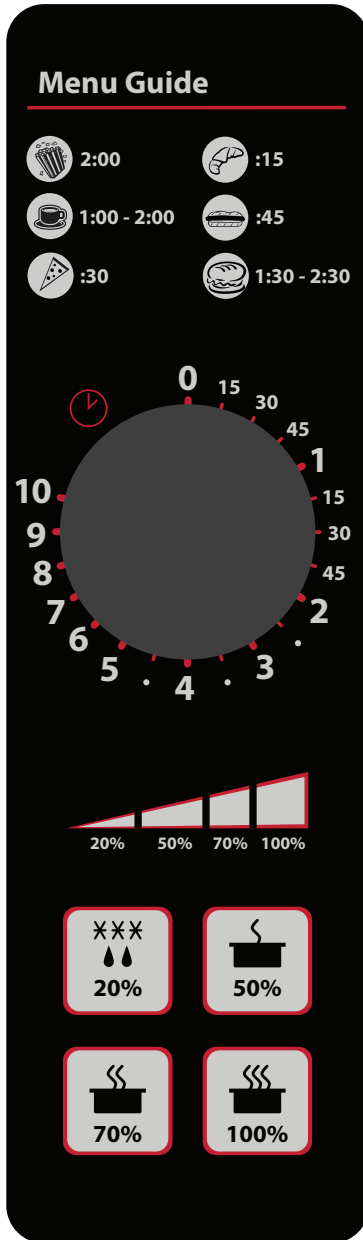
If time was changed to "0", time will need to be reset.

Changing Time and Canceling Mistakes

Heating time can be changed at any time while the oven is operating. Turn knob to desired new setting. To set cooking time to zero, turn knob counterclockwise to "0".

STYLE 2

Digital Dial option is available on some models only.

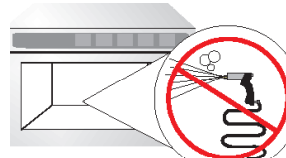


Oven Wall Clearances

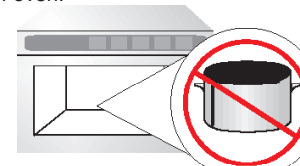
A—For North American (UL/CSA) models, allow at least 2" (5.1 cm) of clearance around top of oven. For International (50 Hz) models, allow at least 12" (30 cm) of clearance around top of oven. Proper air flow around oven cools electrical components. With restricted air flow, oven may not operate properly and life of electrical parts is reduced.

B—Allow at least 2" (5.1 cm) between air discharge on back of oven and back wall.

C—Allow at least 2" (5.1 cm) of clearance around sides of oven.



DO NOT power spray



No metal pans

So...how do I use it? (Electronic / Mechanical Dial)

Heating

1. Open oven door, place food in oven, and close oven door.
2. Select desired power level or use default 100%.
 - Cooking time can be set up to 10 minutes.
 - Oven begins operation and time counts down.
3. When cooking time has elapsed, microwave energy stops and oven signal sounds.

Interrupting Operation

Open oven door to interrupt operation or turn time entry knob counterclockwise to "0".

To resume microwave oven operation, close door, select power level pad, and turn knob.

Changing Time and Canceling Mistakes


Heating time and power level can be changed at any time while the oven is operating. Press power level pad or turn knob to desired new setting. To set cooking time to zero, turn knob counterclockwise to "0" or cycle door open and closed.

Changing Timer Option

Timer resetting to zero can be set at any time to pause current cook time and power level when door is opened. To change this option follow the step below.

- With door open press and hold the 100% pad  for 5 seconds until beep is heard. Close the door this changes timer setting to pause current cook time and power level when door is opened.

Timer pausing current cook time and power level can be set at any time to reset to zero and 100% power level when door is opened. To change this option follow the step below.

- With door open press and hold the 20% pad  for 5 seconds until beep is heard. Close the door this changes timer setting to reset timer to zero and power level to 100% when door is opened.

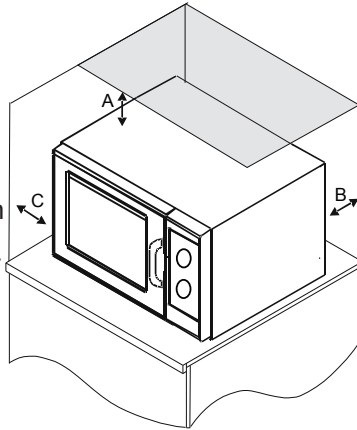
The switching operation of this microwave oven can cause voltage fluctuations on the supply line. The operation of this oven under unfavorable voltage supply conditions can have adverse effects. This device is intended for the connection to a power supply system with a maximum permissible system impedance Z_{max} of **0.2 Ohms** at the interface point of the user's supply. The user has to ensure that this device is connected only to a power supply system which fulfills the requirement above. If necessary, the user can ask the public power supply company for the system impedance at the interface point.

STYLE 3

Dial option is available on some 50 Hz models only.

The switching operation of this microwave oven can cause voltage fluctuations on the supply line.

The operation of this oven under unfavorable voltage supply conditions can have adverse effects. This device is intended for the connection to a power supply system with a maximum permissible system impedance Z_{max} of **0.2 Ohms** at the interface point of the user's supply. The user has to ensure that this device is connected only to a power supply system which fulfills the requirement above. If necessary, the user can ask the public power supply company for the system impedance at the interface point.

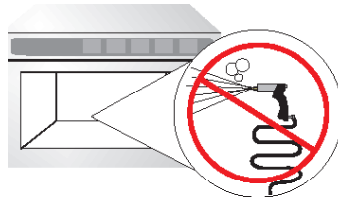


Oven Wall Clearances

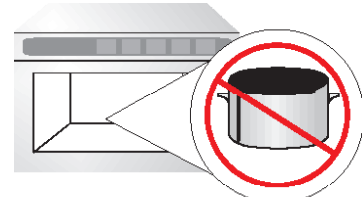
A—For North American (UL/CSA) models, allow at least 2" (5.1 cm) of clearance around top of oven. For International (50 Hz) models, allow at least 12" (30 cm) of clearance around top of oven. Proper air flow around oven cools electrical components. With restricted air flow, oven may not operate properly and life of electrical parts is reduced.

B—Allow at least 2" (5.1 cm) between air discharge on back of oven and back wall.

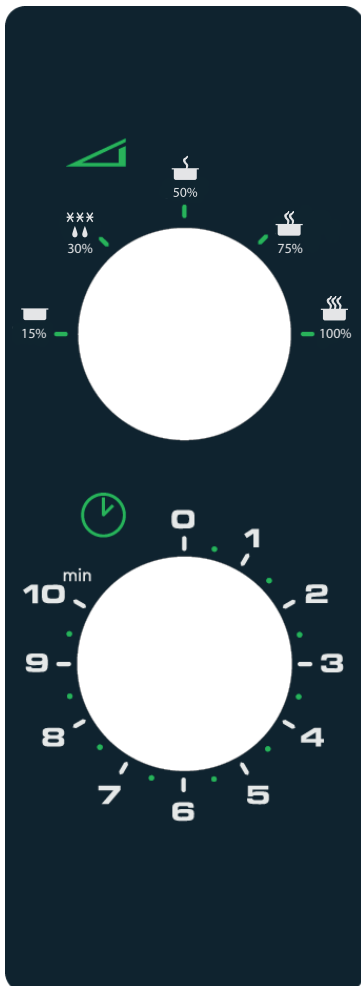
C—Allow at least 2" (5.1 cm) of clearance around sides of oven.



DO NOT power spray



No metal pans



So...how do I use it? (Dial)

Heating

1. Open oven door, place food in oven, and close oven door.
2. Turn the power level knob to desired power level.
 - Power level can be set at Hold (15%), Defrost (30%), Medium (50%), Med. High (70%), or High power (100%).
3. Turn time entry knob clockwise until desired time displays.
 - Cooking time can be set up to 10 minutes.
 - If turning the timer knob for less than 2 minutes, turn it past 2 minutes and then back to the desired time.
4. Oven begins operation and time counts down.
5. When cooking time elapses, microwave energy stops and oven signal sounds.

Interrupting Operation

Open oven door to interrupt operation or turn time entry knob counterclockwise to "0". To resume microwave oven operation, close oven door.

If time was changed to "0", time will need to be reset.

Changing Time and Power/Canceling Mistakes

Cooking time and power level can be changed at any time while the oven is operating. Turn knob(s) to desired new setting. To set cooking time to zero, turn time entry knob counterclockwise to "0".

Care and Cleaning

PART	CARE AND CLEANING RECOMMENDATION
Interior, Exterior, and Door	<p>Clean microwave oven with mild detergent in warm water using soft sponge or cloth. Wring sponge or cloth to remove excess water before wiping equipment. If desired, boil a cup of water in microwave oven to loosen soil before cleaning.</p> <p>Important:</p> <ul style="list-style-type: none">• Do not use abrasive cleansers or cleaners containing ammonia or citrus. These could damage finish.• Never pour water into microwave oven bottom.• Do not use water pressure type cleaning systems.
Discharge Air Vents	<p>Check monthly for a buildup of cooking residue along intake and discharge louvers on bottom and back of oven. Clean air vents with damp cloth to ensure proper airflow. Dry thoroughly.</p>
Air Intake Filter	<p>Non removable filter is located below oven door. Clean air intake filter regularly for proper airflow. Clean air vents with damp cloth to ensure proper airflow.</p> <p>Important:</p> <p>To avoid overheating and oven damage, clean air filter regularly.</p>
Control Panel	<p>Open oven door to deactivate oven timer. Clean with mild detergent in warm water using soft sponge or cloth.</p>

Before Calling for Service

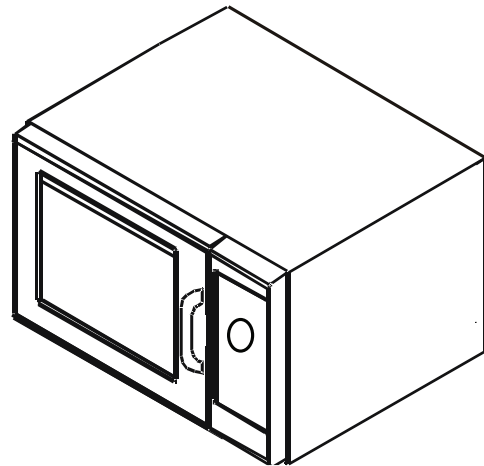
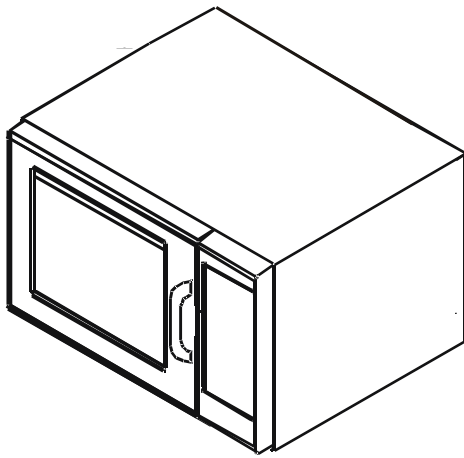
Problem	Possible Cause
Oven does not operate.	<p>Confirm oven is plugged into dedicated circuit.</p> <p>Confirm oven is on grounded and polarized circuit. (Contact electrician to confirm)</p> <p>Check fuse or circuit breaker.</p>
Oven operates intermittently.	Check air filter and discharge areas for obstructions.
Oven does not accept entries when pad is pressed.	<p>Make sure oven is on.</p> <p>Open and close oven door. Press key again.</p>
Oven malfunctions or shows F with a number.	<p>Oven control is equipped with a self-diagnostic system. Self-diagnostic system alerts you if there is a error or problem. When electronic control signals a problem, follow steps listed below.</p> <ol style="list-style-type: none"> 1. Record number shown. 2. Unplug oven, wait for 1 minute, and plug in oven. <ul style="list-style-type: none"> • Disconnecting electrical supply may eliminate service code. If failure continues, call ACP ComServ toll free at 1-866-426-2621 inside the U.S.A. or Canada.
Oven operates but does not heat food.	<p>Place one cup of water in oven.</p> <p>Run for one minute at full power (100%).</p> <p>If temperature does not rise, oven is not operating correctly. Contact an authorized ACP servicer or call ACPCoMserv toll free at 1-866-426-2621 inside the U.S.A. or Canada.</p>



WARNING

To avoid electrical shock which can cause severe personal injury or death, do not remove outer case at any time. Only an authorized ACP servicer should remove outer case.

Manual del Propietario



Horno Microondas Comercial

Conserve estas instrucciones como material de referencia. Si el horno cambiara de dueño, cerciórese de que vaya acompañado del manual.

Contenido

Identificación del Modelo.....	2
PRECAUCIONES PARA EVITAR UNA POSIBLE EXPOSICIÓN A UN EXCESO DE ENERGÍA DE MICROONDAS	3
IMPORTANTES NORMAS DE SEGURIDAD..	3
Instrucciones de Puesta a Tierra.....	5
Instalación	5
Pantalla y Funciones.....	6
Uso de los Controles del Horno (Modelos Electrónicos)	8
Programación de los Controles del Horno (Modelos Electrónicos)	9
Opciones para el Usuario (Modelos Electrónicos)	10
Operación con Cuadrante Digital	11
Operación con Cuadrante Digital	12
Operación con Cuadrante	13
Cuidado y Limpieza.....	14
Antes de Llamar al Servicio Técnico..	15

Identificación del Modelo

Cuando se ponga en contacto con ACP, suministre la información del producto. Dicha información se encuentra en la chapa del número de serie del horno, situada en la parte posterior del horno. Registre la siguiente información:

Número de modelo: _____

Número de fabricación: _____

Número de serie, o N/S: _____

Fecha de compra: _____

Nombre y dirección del distribuidor: _____

Para cualquier pregunta o para localizar un técnico de servicio autorizado de ACP, llame libre de cargo al 1-866-426-2621 dentro de EE.UU. o Canadá, o al 1-319-368-8120, fuera de EE.UU. o Canadá.

El servicio por garantía debe ser prestado por un técnico de servicio autorizado de ACP. ACP también recomienda ponerse en contacto con un técnico de servicio autorizado de ACP si la unidad necesita servicio técnico después de que caduque la garantía.

IMPORTANTES NORMAS DE SEGURIDAD



Reconozca este símbolo como mensaje de **SEGURIDAD**



ADVERTENCIA

Cuando use equipos eléctricos, debe tomar precauciones básicas para reducir el riesgo de quemaduras, electrochoque, incendio y lesiones personales.

1. LEA todas las instrucciones antes de usar el equipo.
2. LEA Y OBSERVE las "PRECAUCIONES PARA EVITAR UNA POSIBLE EXPOSICIÓN A UN EXCESO DE ENERGÍA DE MICROONDAS" en esta página.
3. Este equipo DEBE PONERSE A TIERRA. Conéctelo sólo a un tomacorriente debidamente PUESTO A TIERRA. Consulte "INSTRUCCIONES DE PUESTA A TIERRA" en la página 5.
4. Instale o sitúe este equipo SÓLO de acuerdo con las instrucciones de instalación contenidas en este manual.
5. Algunos productos como huevos enteros y recipientes cerrados – p. ej., frascos de vidrio cerrados – pueden explotar y NO DEBEN ser CALENTADOS en este horno.
6. Use este equipo SÓLO para el propósito para el que fue diseñado según se describe en este manual. No le aplique sustancias químicas ni vapores corrosivos a este equipo. Este tipo de horno ha sido específicamente diseñado para calentar, cocinar o secar alimentos. No fue diseñado para uso industrial ni experimental.
7. Al igual que con cualquier otro equipo, se debe SUPERVISAR DE CERCA el uso que hagan de él los NIÑOS.
8. Consulte las instrucciones de limpieza de la puerta en la página 13 de este manual de seguridad del producto.
9. NO caliente biberones en este horno.
10. Se debe abrir los frascos de alimento para bebés antes de calentarlos y remover o agitar su contenido antes de consumirlos para evitar quemaduras.
11. NO use este equipo si su cable o enchufe están dañados, si no está funcionando como corresponde o si ha sufrido algún daño o caída.
12. Este equipo, incluido el cable de alimentación, debe ser reparado SÓLO por personal técnico profesional. Su reparación requiere herramientas especiales. Solicite al servicio técnico autorizado más cercano la revisión, reparación o ajuste del equipo.
13. NO cubra ni bloquee el filtro ni ninguna otra abertura del equipo.
14. NO guarde el equipo en espacios exteriores. NO use este producto cerca de agua, p. ej., cerca de un fregadero, en un sótano mojado, una piscina u otro lugar similar.
15. NO sumerja el cable ni el enchufe en agua.
16. Mantenga el cable ALEJADO de superficies CALIENTES.
17. NO permita que el cable cuelgue sobre el borde de la mesa o el tablero.
18. Use sólo para fines comerciales.

PRECAUCIONES PARA EVITAR UNA POSIBLE EXPOSICIÓN A UN EXCESO DE ENERGÍA DE MICROONDAS

- A. **NO** intente usar este horno con la puerta abierta ya que podría dar lugar a una nociva exposición a energía de microondas. Es importante no frustrar ni forzar los seguros de interbloqueo.
- B. **NO** coloque entre la superficie frontal del horno y la puerta ningún objeto ni permita la acumulación de suciedad o restos de agentes limpiadores en las superficies de cierre.
- C. **NO** use el horno si está dañado. Es muy importante cerrar correctamente la puerta del horno y evitar que sufran daños:
 1. la puerta (doblamiento)
 2. las bisagras y los pestillos (ruptura o aflojamiento)
 3. las superficies de cierre y juntas de la puerta.
- D. Nadie, excepto técnicos debidamente calificados, debe ajustar o reparar este horno.

GUARDE ESTAS INSTRUCCIONES

IMPORTANTES NORMAS DE SEGURIDAD



ADVERTENCIA

Para evitar el riesgo de que se incendie la cavidad del horno:

- a. NO cocine demasiado los alimentos. Préstele mucha atención al horno cuando, para facilitar la cocción, ponga en su interior papel, plástico u otro material combustible.
- b. Antes de introducir bolsas de papel o plástico en el horno, quíteles los amarres de alambre.
- c. Si se enciende algún material dentro del horno, mantenga CERRADA la puerta del horno, apáguelo y desconecte el cable de alimentación o interrumpa la corriente desde el fusible o el tablero del cortacircuito.
- d. NO utilice la cavidad del horno como lugar de almacenamiento. NO deje productos de papel, utensilios de cocina ni alimentos en la cavidad cuando no la esté usando.



ADVERTENCIA

Debido a su tensión superficial, los líquidos, como agua, café o té, pueden calentarse por encima de su punto de ebullición sin dar muestras de estar hirviendo. No necesariamente los verá hervir o burbujear cuando extraiga el recipiente del microondas. POR CONSIGUIENTE, LOS LÍQUIDOS PUEDEN EMPEZAR A HERVIR Y SALPICAR AL INTRODUCIRLES UNA CUCHARA U OTRO UTENSILIO. Para reducir el riesgo de sufrir lesiones:

- i) No recaliente el líquido.
- ii) Remueva el líquido antes de empezar a calentar y a mitad del proceso.
- iii) No utilice recipientes de lados rectos con cuello angosto.
- iv) Después de calentar el líquido, deje reposar el recipiente dentro del microondas por un breve tiempo antes de sacarlo.
- v) Tenga sumo cuidado cuando le introduzca una cuchara u otro utensilio al recipiente.



ATENCIÓN

Para evitar lesiones personales o daños materiales, observe las siguientes indicaciones:

1. No utilice el horno para freír alimentos completamente inmersos en aceite. El aceite podría recalentarse y su manipulación resultaría peligrosa.
2. No utilice energía de microondas para cocinar o recalentar huevos en su cáscara o con la yema íntegra. La presión puede acumularse y hacer explosión. Antes de cocinar, perforo la yema con un tenedor o un cuchillo.
3. Perfore la piel de papas, tomates y alimentos similares antes de cocinar con energía de microondas. Si la piel está perforada, el vapor puede escapar uniformemente.
4. No use el horno si no tiene carga o alimentos en su cavidad.
5. Utilice solamente palomitas de maíz que vienen en bolsas diseñadas y rotuladas para uso en hornos microondas. **El tiempo necesario para que empiecen a saltar las palomitas varía de acuerdo con el vatiaje del horno.** Una vez que dejen de hacerlo, apague el microondas. De lo contrario, las palomitas se chamuscarán o se quemarán. No desatienda el horno.
6. No introduzca termómetros de cocina normales en el horno. La mayoría de los termómetros contienen mercurio y pueden originar arcos eléctricos o causarles desperfectos o averías al horno.
7. No introduzca utensilios metálicos en el horno.
8. Nunca use papel, plástico ni ningún otro material combustible que no haya sido diseñado para cocinar.
9. Cuando cocine con papel, plástico u otro material combustible, siga las recomendaciones del fabricante acerca del uso del producto.
10. No use toallas de papel que contengan nailon ni ninguna otra fibra sintética. Las fibras sintéticas, al calentarse, pueden derretirse y prenderle fuego al papel.
11. No caliente recipientes cerrados ni bolsas plásticas en el horno. Los alimentos y líquidos pueden expandirse rápidamente y hacer que se rompa el recipiente o la bolsa. Perfore o abra el recipiente o la bolsa antes de calentar.
12. Para evitar desperfectos en un marcapasos, consulte a un médico o al fabricante del marcapasos sobre los efectos que sobre él pueda tener la energía de microondas.
13. El equipo DEBE ser inspeccionado anualmente por un técnico de servicio autorizado. Registre todas las inspecciones y reparaciones como material de referencia.
14. Limpie el horno regularmente y elimine todos los restos de alimentos depositados en el horno.
15. Para evitar que las superficies se deterioren, mantenga el horno en condición limpia. La limpieza poco frecuente puede afectar adversamente la vida útil del aparato y resultar posiblemente en una situación peligrosa.

GUARDE ESTAS INSTRUCCIONES

Desempaque del Horno

- Inspeccione el horno y verifique que no tenga daños como, por ejemplo, abolladuras en la puerta o en la cavidad.
- Si tiene abolladuras o está roto, informe de inmediato al vendedor.
Si el horno ha sufrido algún daño, no intente utilizarlo.
- Extraiga todos los materiales del interior del horno.
- Si el horno ha estado almacenado en un lugar demasiado frío, espere algunas horas antes de conectarlo a un tomacorriente.

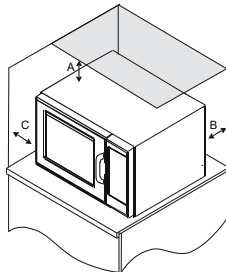
Interferencia de Radio

El funcionamiento del microondas puede hacer interferencia con radios, televisores u hornos similares. Reduzca o elimine la interferencia mediante el siguiente procedimiento:

- Limpie la puerta y las superficies de cierre del horno de acuerdo con las instrucciones en la sección *Cuidado y Limpieza*.
- Sitúe el radio, televisor, etc. tan lejos del horno como sea posible.
- Mejore la recepción del radio, televisor, etc., mediante la correcta instalación de una antena.

Ubicación del Horno

- No instale el horno cerca o encima de fuentes de calor, p. ej., hornos para pizzas o freidoras. Esto puede ocasionar un mal funcionamiento del microondas y acortar la vida útil de las piezas eléctricas.
- No bloquee ni obstruya el filtro del horno. Deje libre el acceso para la limpieza.
- Instale el horno sobre la superficie superior plana del tablero.
- Coloque la etiqueta de advertencia en un lugar claramente visible y próximo al horno microondas.
- El tomacorriente debe estar situado de modo que permita enchufar el horno desde su ubicación.



A—Para los modelos de América del Norte (UL/CSA), deje al menos 5,1 cm (2 pulg.) de espacio libre alrededor de la parte superior del horno. Para modelos Internacionales (50 Hz), deje al menos 30 cm (12 pulg.) de espacio libre alrededor de la parte superior del horno. La circulación de aire adecuada alrededor del horno enfría sus componentes eléctricos. Si se restringe la circulación de aire, posiblemente no funcione correctamente el horno y se reduzca la duración de las piezas eléctricas.

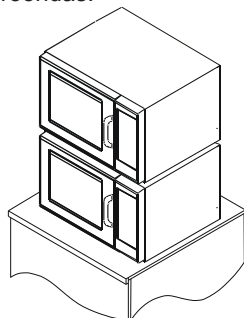
B—Deje al menos 5,1 cm (2 pulg.) entre la salida de aire, en la parte posterior del horno, y la pared de fondo.

C—Deje al menos 5,1 cm (2 pulg.) de espacio libre por los lados del horno.

Espacio libre alrededor del horno

Apilamiento de Hornos

- Se permite el apilamiento de hornos, usando el soporte de apilamiento situado en la esquina posterior del microondas.
- Extraiga el soporte de apilamiento del horno y extraiga un tornillo posterior de esquina de cada soporte de microondas. Luego afiance el soporte de apilamiento entre los dos microondas.



⚠ ADVERTENCIA

Para evitar el riesgo de electrochoque o muerte, es necesario poner este horno a tierra.

⚠ ADVERTENCIA

Para evitar el riesgo de electrochoque o muerte, no modifique el enchufe.

Instrucciones de Puesta a Tierra

El horno DEBE ponerse a tierra.

Ponerlo a tierra reduce el riesgo de electrochoque ya que proporciona un conductor de escape para la corriente eléctrica en caso de cortocircuito. Este horno cuenta con un cable que tiene un hilo de tierra con enchufe de conexión a tierra. Este enchufe debe conectarse en un tomacorriente correctamente instalado y puesto a tierra.

Si no comprende cabalmente las instrucciones de puesta a tierra, o duda que el horno esté correctamente puesto a tierra, consulte a un electricista profesional o técnico de servicio autorizado.

No utilice cables de extensión.

Si el cable de alimentación del producto es demasiado corto, pídale a un electricista profesional que instale una caja de contacto de tres ranuras. Este horno debe conectarse a un circuito aparte que tenga la capacidad eléctrica que indican las especificaciones del producto (disponibles a través de www.acpsolutions.com). Si se instala el horno microondas en un mismo circuito con otros equipos, podría ser necesario aumentar los tiempos de cocción y los fusibles se podrían quemar.

Terminal de Tierra Equipotencial Externo (sólo para exportación)

El equipo dispone de un terminal secundario de puesta a tierra. Este terminal proporciona una puesta a tierra externa que se utiliza en forma adicional a la clavija de puesta a tierra del enchufe. El terminal está situado en la parte externa del lado posterior del horno y viene marcado con el símbolo que aparece a continuación.



Pantalla y Funciones (algunos modelos)



Tecla START (ARRANCAR)

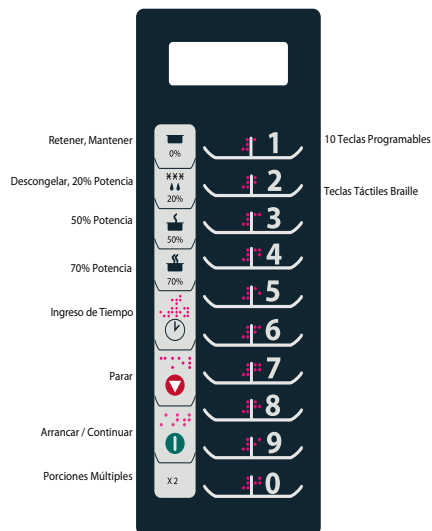
La tecla START (ARRANCAR)

se utiliza para comenzar un ciclo de cocción ingresando el tiempo manualmente. También se utiliza para guardar las modificaciones a las secuencias de programación o las opciones para el usuario.

Tecla STOP/RESET (PARAR/RESTABLECER)

La tecla STOP/RESET

(PARAR/RESTABLECER) detiene la secuencia de cocción en progreso, borra el tiempo restante y también finaliza un ciclo de programación o de opciones para el usuario. Cuando se utiliza la tecla STOP/RESET (PARAR/RESTABLECER) para finalizar modificaciones de programación o de opción, se anulan las modificaciones.



Programación de Tecla Simple

(se muestra como ejemplo la tecla 1)

Esta función permite programar cada tecla numérica para un uso o procedimiento de cocción específico. Para usar esta función, sencillamente programe la tecla para la cantidad de tiempo y nivel de potencia deseados. Para utilizar esta función, oprima la tecla una vez y el horno microondas empezará a cocinar los alimentos.



Programación de Dos Teclas

(algunos modelos)

Esta función admite hasta 100 entradas programadas. A cada entrada se le asignará un número de dos dígitos, por ejemplo 07 como se muestra. Cuando se utiliza la programación de dos teclas, se deben oprimir dos teclas para que comience el ciclo de cocción.



Ingreso de Tiempo Manual

Además de las teclas programables, este horno microondas también permite ingresar cantidades de tiempo específicas mediante el uso de la tecla TIME ENTRY (INGRESAR TIEMPO). El uso del ingreso de tiempo manual no afecta las teclas programadas.

X 2

Tecla X2

La tecla X2 añade al tiempo de cocción preestablecido un porcentaje del tiempo de cocción original (factor de cocción). El usuario, si lo desea, puede especificar el porcentaje y éste se puede modificar para las secuencias de cocción individuales. Esta función es muy útil para cocinar varias porciones de alimentos. La tecla X2 puede utilizarse junto con la programación de tecla simple o de dos teclas. Para modificar el factor de cocción, consulte la sección *Programación de los Controles del Horno*.

Cocción por Etapas

P:-- La cocción por etapas es una secuencia de cocción con etapas específicas en las que cambia la potencia. El usuario puede programar hasta cuatro cambios de niveles de potencia diferentes y la cantidad específica de tiempo de cocción de cada nivel de potencia. Cada combinación de nivel de potencia y tiempo de cocción se conoce como una etapa. Se pueden programar hasta cuatro etapas.

Opciones para el Usuario

OP:--

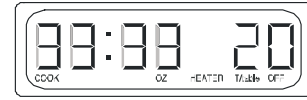
Este horno microondas se puede disponer a las preferencias específicas del usuario. Las opciones, como el volumen del pitido, el tiempo de cocción máximo y el número de teclas programables, se pueden modificar. Para modificar las distintas opciones, consulte *Opciones para el Usuario*, en este manual.

El funcionamiento intermitente de este horno microondas puede ocasionar fluctuaciones de voltaje en la línea de alimentación. Si la tensión de alimentación es inadecuada, el funcionamiento de este horno microondas puede tener efectos perjudiciales. Este aparato ha sido diseñado para conectarse a un sistema de alimentación cuya impedancia admisible máxima Z_{max} sea de **0.10 ohm** en el punto de interconexión de la fuente del usuario. El usuario debe garantizar que este dispositivo se conecte sólo a un sistema de alimentación que cumpla con este requisito. Si es necesario, el usuario puede pedirle a la empresa de energía eléctrica información sobre la impedancia del sistema en el punto de interconexión.

Pantalla y Funciones (algunos modelos)

Pantalla de Cocción

MUESTRA	DESCRIPCIÓN
READY	La pantalla indica READY (LISTO) cuando el control del horno está listo para aceptar entradas.
00:00	Muestra el tiempo de cocción. Si se programa una etapa de cocción, aparece el tiempo total de cocción.
HOLD 0% DEFR 20% MED 50% MED HI 70%	Estos ajustes muestran el nivel actual de potencia utilizado para el horno microondas. Si no aparece nada en la pantalla, el horno microondas está cocinando a potencia plena (100%).
POWER	La pantalla indica POWER (POTENCIA) mientras el horno está generando energía de microondas durante un ciclo de cocción.

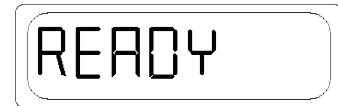


Pantalla

Dependiendo del modelo, es posible que algunas de las palabras y símbolos de la pantalla puedan verse pero no estén disponibles.

Pantalla de Programación

MUESTRA	DESCRIPCIÓN
P:0	Aparece cuando el horno se encuentra en el modo de programación para memoria de tecla simple (o tecla única) solamente.
P:	Aparece cuando el horno se encuentra en el modo de programación para memoria de dos teclas.
OP: --	Aparece cuando el horno se encuentra en el modo de opciones para el usuario. Las opciones para el usuario entonces se pueden establecer o especificar.
CF:	Aparece con un factor de cocción numérico cuando se oprime la tecla X2.
P:-- ¹	Aparece brevemente cuando se programa una etapa de cocción específica. El número (1 a 4) indica la etapa que se está programando.



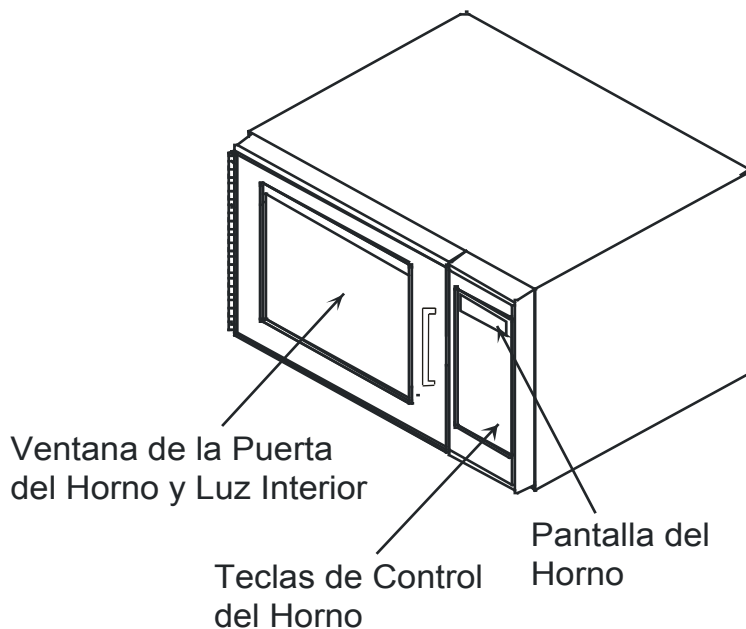
Ready (Listo)

La indicación Ready (Listo) aparece cuando el control del horno está listo para aceptar entradas.



Pantallas de Cocción

33:33 indica el tiempo total de cocción. Cuando se programa más de una etapa de cocción, aparece la duración de todas las etapas juntas. La pantalla indica COOK mientras el horno está funcionando. Las indicaciones DEFROST 20% (DESCONGELAR), MEDIUM 50% (INTERMEDIO) o MED-HI 70% (INTERMEDIO ALTO) aparecerán para indicar el nivel de potencia utilizado por el horno microondas. COOK (COCCIÓN) no aparece cuando la pantalla indica HOLD 0%. Si se fija el nivel de potencia del horno a 0%, éste no calentará durante el tiempo programado. Si no aparece ningún nivel de potencia, el horno microondas estará funcionando al 100% de la potencia.



Uso de los Controles del Horno (Control Electrónico)

Para Interrumpir el Funcionamiento

Abra la puerta del horno u oprima la tecla STOP/RESET (PARAR/RESTABLECER) para interrumpir el funcionamiento del horno. La pantalla continúa mostrando la cuenta regresiva del tiempo establecido. Cierre la puerta y oprima la tecla START (ARRANCAR) para reanudar el funcionamiento del horno.

X2 Tecla X2

Para aumentar el tiempo de cocción por un cierto factor de cocción cuando se cocina más de una porción de alimentos. El factor de cocción es un porcentaje del tiempo de cocción original (de 10 al 100%).

- Abra la puerta del horno e introduzca los alimentos. Cierre la puerta.
 - La pantalla indica **READY** (LISTO). El ventilador y la luz se activarán.
- Oprima la tecla X2.
 - La cantidad de tiempo agregado es un porcentaje del tiempo de cocción original preprogramado.
 - El porcentaje se puede modificar. Consulte la sección *Programación de los Controles del Horno* en este manual.
- Oprima la tecla o secuencia de teclas preprogramadas deseadas.
- El horno empieza a cocinar los alimentos. El tiempo de cocción indicado en la pantalla es la suma total del tiempo de cocción original más el tiempo X2 añadido.

Ingreso de Tiempo Manual

Para cocinar alimentos en un tiempo y a un nivel de potencia específicos de su elección.

- Abra la puerta del horno e introduzca los alimentos. Cierre la puerta.
 - La pantalla indica **READY** (LISTO). El ventilador y la luz se activarán.
- Oprima la tecla TIME ENTRY (INGRESAR TIEMPO).
 - La pantalla mostrará **READY** (LISTO) y 0000.
 - Si la tecla no funciona, abra y cierre la puerta del horno e inténtelo de nuevo.
- Ingrese el tiempo de cocción mediante las teclas numéricas.
- Si lo desea, oprima una tecla de nivel de potencia para modificar el nivel de potencia.
 - POWER LEVEL** (NIVEL DE POTENCIA) aparece junto con el valor de potencia.
 - 00 indica un 0% de potencia de microondas, 20 indica un 20%, 50 indica un 50% y 70 indica un 70% de potencia de microondas. Si no aparece un número junto con POWER LEVEL (NIVEL DE POTENCIA), el horno microondas está dispuesto para potencia plena.
- Si desea cocinar por etapas, oprima la tecla TIME ENTRY (INGRESAR TIEMPO) y repita los pasos 3 al 4.
 - La pantalla cambia para mostrar el tiempo de cocción y el nivel de potencia de la siguiente etapa.
- Ingrese el tiempo de cocción y el nivel de potencia como lo hizo en los pasos 3 y 4.
 - Para agregar otra etapa de cocción, oprima nuevamente la tecla TIME ENTRY (INGRESAR TIEMPO).
 - Se puede programar hasta cuatro etapas distintas.
- Oprima la tecla START (ARRANCAR).
 - El horno empieza a funcionar y se inicia la cuenta regresiva del tiempo establecido.
 - POWER, COOK LEVEL** (NIVEL DE POTENCIA DE COCCIÓN) y el tiempo de cocción aparecen en la pantalla.
- Al terminar el ciclo de cocción, el horno emite un pitido y se apaga.



Teclas Programadas

Para cocinar alimentos usando teclas preprogramadas con secuencias de cocción.

- Abra la puerta del horno e introduzca los alimentos. Cierre la puerta.
 - La pantalla indica **READY** (LISTO). El ventilador y la luz se activarán.
- Oprima la tecla deseada.
 - Para la programación de tecla simple, oprima solamente una tecla.
 - Para la programación de dos teclas, oprima las dos teclas, en orden, de acuerdo con los dígitos del número de dos dígitos para la secuencia de cocción deseada.
 - Para modificar la opción de programación de tecla simple o dos teclas, consulte la sección *Opciones para el Usuario* en este manual.
- El horno empieza a cocinar los alimentos.
 - POWER** (POTENCIA), el nivel de potencia y el tiempo total de cocción aparecen en la pantalla. Si no aparece ningún nivel de potencia, el horno microondas está cocinando a potencia plena (100%).
 - Para un tiempo de cocción adicional, oprima nuevamente la tecla preprogramada para volver a iniciar la secuencia de cocción.
- Al terminar el ciclo de cocción, el horno emite un pitido y se apaga.



Ajustes de Fábrica

Tecla	Tiempo	Tecla	Tiempo
1	10 seg.	6	1:30 min.
2	20 seg.	7	2 min.
3	30 seg.	8	3 min.
4	45 seg.	9	4 min.
5	1 min.	0	5 min.

Programación de los Controles del Horno (Control Electrónico)

Programación de las Teclas

El horno viene dispuesto de fábrica para permitir la programación con una tecla. Para modificar el modo predeterminado del horno, a fin de permitir la programación con dos teclas, consulte la sección *Opciones para el Usuario*. Para modificar la cantidad de tiempo o el nivel de potencia de una tecla preestablecida:

1. Abra la puerta del horno.
 - La pantalla indica **READY** (LISTO).
 - Si se cierra la puerta o se oprime la tecla STOP (PARAR) antes de finalizar la programación, se cancelan las modificaciones y el horno microondas sale del modo de programación.
2. Oprima la tecla 1 durante aproximadamente 5 segundos.
 - Esto activará el modo de programación.
 - El microondas emitirá un pitido y en la pantalla aparecerá **PROGRAMM** (PROGRAMA). Ahora el horno está en el modo de programación.
3. Oprima la tecla que desea reprogramar.
 - Oprima dos teclas si desea reprogramar una programación de dos teclas.
 - La pantalla muestra el nivel de potencia y el tiempo de cocción.
 - Si no aparece ningún nivel de potencia, el horno microondas está dispuesto para funcionar a potencia plena (100%).
4. Ingrese el tiempo de cocción mediante las teclas numéricas.
5. Si lo desea, oprima una tecla de nivel de potencia para modificar el nivel de potencia.
6. Oprima la tecla START (ARRANCAR) para guardar las modificaciones de programación hechas a la tecla.
 - La pantalla indica **PROGRAMM** (PROGRAMA).
 - Si no se oprime START (ARRANCAR), no se guardan las modificaciones.
7. Oprima la tecla STOP/RESET (PARAR/RESTABLECER) o cierre la puerta del horno para salir del modo de programación.



? La pantalla indica PROGRAMM

(PROGRAMAR).

Si se fija el horno para programación de tecla simple o dos teclas, la pantalla indicará **PROGRAMM** cuando se programan las teclas para secuencias de cocción de uno o dos dígitos. Para cambiar el modo predeterminado del horno, a fin de permitir la programación de tecla simple o dos teclas, consulte la sección *Opciones para el Usuario*.

Para Cancelar Errores

Si el horno no cocina, oprima la tecla STOP/RESET (PARAR/RESTABLECER) para borrar la pantalla. Si el horno cocina, oprima la tecla STOP/RESET (PARAR/RESTABLECER) una vez para que el horno se detenga, y luego otra vez para borrar la pantalla. Si la puerta del horno está abierta y el tiempo aparece en la pantalla, cierre la puerta del horno y oprima la tecla STOP/RESET (PARAR/RESTABLECER) para borrar la pantalla.



X2 Programación de X2

Esta función permite añadirle a una secuencia de cocción un porcentaje preestablecido del tiempo de cocción original, llamado factor de cocción.

Para modificar el factor de cocción:

1. Abra la puerta del horno.
2. Oprima la tecla 1 durante aproximadamente 5 segundos.
3. Oprima la tecla que desea reprogramar.
4. Oprima la tecla X2.
5. Oprima una tecla numérica para modificar el factor de cocción.
 - El factor de cocción se puede fijar en un valor entre 10% y 100%.
 - El valor por omisión es 80%.
 - La tecla 5 cambia el factor de cocción al 50%.
 - La tecla 3 cambia el factor de cocción al 30%.
6. Oprima la tecla START (ARRANCAR) para guardar los cambios.

Programación de Etapas Múltiples

La cocción por etapas permite el uso de ciclos de cocción consecutivos sin interrupción. Se puede programar hasta cuatro ciclos de cocción distintos en una tecla de memoria. Para utilizar la cocción por etapas:

1. Siga los pasos 1 a 5 anteriores.
6. Oprima la tecla TIME ENTRY (INGRESAR TIEMPO).
 - La pantalla muestra brevemente el número de tecla que se está programando y el número de etapa en la parte superior derecha.
 - La pantalla cambia para mostrar el tiempo de cocción y el nivel de potencia de la siguiente etapa.
7. Ingrese el tiempo de cocción y el nivel de potencia como lo hizo en los pasos 4 y 5.
 - Para programar otra etapa de cocción en esa tecla, oprima de nuevo la tecla TIME ENTRY (INGRESAR TIEMPO).
 - Se puede programar hasta cuatro etapas distintas.
8. Oprima la tecla START (ARRANCAR) para guardar las modificaciones de programación hechas a la tecla.
9. Oprima la tecla STOP/RESET (PARAR/RESTABLECER) o cierre la puerta del horno para salir del modo de programación.



Opciones para el Usuario (Control Electrónico)

¿No le gusta una opción?

Los ajustes de fábrica aparecen marcados en negritas. Para cambiar el ajuste del horno de nuevo al ajuste de fábrica, sencillamente seleccione la opción que aparece marcada en negritas.



Mis cambios no están guardados.

Para poder guardar cualquier cambio, será necesario oprimir la tecla START (ARRANCAR)

después de seleccionar una opción. Cerrar la puerta u oprimir la tecla STOP/RESET (PARAR/RESTABLECER) no guardará los cambios.

Cambio de las opciones para el usuario

Las opciones de programación de una o dos teclas, volumen del pitido y tiempo de cocción máximo se pueden modificar para ajustarlas a preferencias personales.

Para modificar las opciones:

- Abra la puerta del horno.
 - Si se cierra la puerta o se oprime la tecla STOP/RESET (PARAR/RESTABLECER) antes de finalizar la programación, se cancelan los cambios y el horno microondas sale del modo de programación.
- Oprima la tecla 2 durante aproximadamente 5 segundos.
 - Esto activará el modo de opciones.
 - El microondas emitirá un pitido y en la pantalla aparecerá **OP: --** Ahora el microondas está en el modo de programación.
- Oprima la tecla numérica que controla la opción que desea modificar.
 - Consulte las opciones en el cuadro a continuación.
 - La pantalla indica la opción actual.
- Oprima de nuevo la tecla numérica para modificar la opción.
 - Cada vez que oprima la tecla, cambiará la opción.
 - Haga corresponder el código numérico mostrado en la pantalla con las descripciones para la opción deseada.
- Oprima la tecla START (ARRANCAR) para guardar los cambios.
 - OP: --** aparece en la pantalla.
 - Para cambiar otras opciones, repita los pasos 3 y 4.
 - Los cambios aparecen una vez que se cierra la puerta o se oprime la tecla STOP/RESET (PARAR/RESTABLECER).

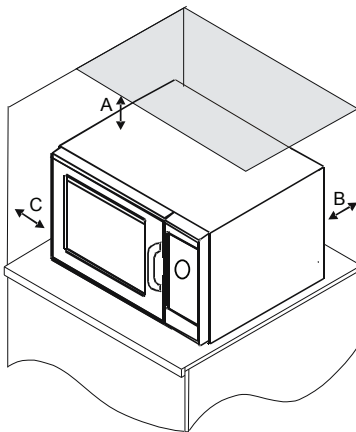
Teclas Numéricas	Pantalla	Opciones (Ajustes de Fábrica en Negritas)
1 Pitido de Fin de Ciclo	OP:10 OP:11 OP:12	Pitido continuo de 3 segundos. Pitido continuo hasta que se abra la puerta. 5 pitidos individuales hasta que se abra la puerta.
2 Volumen del Pitido de las Teclas	OP:20 OP:21 OP:22 OP:23	Eliminar pitido. Seleccionar volumen bajo. Seleccionar volumen intermedio. Seleccionar volumen alto.
3 Pitido de las Teclas	OP:30 OP:31	Desactivar el pitido cuando se oprime una tecla. Activar el pitido al oprimir teclas.
4 Pantalla Activa	OP:40 OP:41 OP:42 OP:43	El teclado se desactiva 15 segundos después de abierta la puerta del horno. El teclado se desactiva 30 segundos después de abierta la puerta del horno. El teclado se desactiva 1 minuto después de abierta la puerta del horno. El teclado se desactiva 2 minutos después de abierta la puerta del horno.
5 Cocción Automática	OP:50 OP:51	Impide la activación de teclas preprogramadas diferentes durante la cocción. Permite la activación de teclas preprogramadas diferentes durante la cocción.
6 Restablecer al modo Ready (Listo)	OP:60 OP:61	Abrir la puerta del horno no vuelve a reajustar el horno al modo Ready (Listo). Abrir la puerta del horno vuelve a reajustar el horno al modo Ready (Listo).
7 Tiempo de Cocción Máximo	OP:70 OP:71	Permite un tiempo de calentamiento de 60 minutos. Permite un tiempo de calentamiento de 10 minutos.
8 Operación Manual	OP:80 OP:81	Permite usar sólo teclas preprogramadas. Permite usar teclas de ingreso de tiempo manual y teclas preprogramadas.
9 Operación con Dos Dígitos	OP:90 OP:91	Permite 10 teclas preprogramadas (0-9). Permite 100 teclas preprogramadas (00-99).
0 Clean Filter Message (Mensaje de Limpiar Filtro)	OP:00 OP:01 OP:02 OP:03	El horno no indicará Clean Filter (Limpiar Filtro) El horno indicará Clean Filter (Limpiar Filtro) cada siete (7) días El horno indicará Clean Filter (Limpiar Filtro) cada treinta (30) días El horno indicará Clean Filter (Limpiar Filtro) cada noventa (90) días

Operación con Cuadrante Digital

ESTILO 1

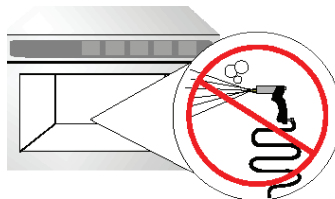
La opción de cuadrante está disponible sólo en algunos modelos.

El funcionamiento intermitente de este horno microondas puede ocasionar fluctuaciones de voltaje en la línea de alimentación. Si la tensión de alimentación es inadecuada, el funcionamiento de este horno microondas puede tener efectos perjudiciales. Este aparato ha sido diseñado para conectarse a un sistema de alimentación cuya impedancia admisible máxima Z_{max} sea de **0,2 ohm** en el punto de interconexión de la fuente del usuario. El usuario debe garantizar que este dispositivo se conecte sólo a un sistema de alimentación que cumpla con este requisito. Si es necesario, el usuario puede pedirle a la empresa de energía eléctrica información sobre la impedancia del sistema en el punto de interconexión.

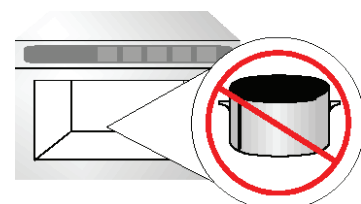


Espacio Libre Alrededor de las Paredes del Horno

- A— Para los modelos de América del Norte (UL/CSA), deje al menos 5,1 cm (2 pulg.) de espacio libre alrededor de la parte superior del horno. Para modelos Internacionales (50 Hz), deje al menos 30 cm (12 pulg.) de espacio libre alrededor de la parte superior del horno. La circulación de aire adecuada alrededor del horno enfría sus componentes eléctricos. Si se restringe la circulación de aire, posiblemente no funcione correctamente el horno y se reduzca la duración de las piezas eléctricas.
- B— Deje al menos 5,1 cm (2 pulg.) entre la salida de aire, en la parte posterior del horno, y la pared de fondo.
- C— Deje al menos 5,1 cm (2 pulg.) de espacio libre por los lados del horno.



NO rocíe con pistola



No use cacerolas metálicas

Y entonces... ¿cómo lo uso?

(Cuadrante Digital)

Para Cocinar

1. Abra la puerta del horno, introduzca los alimentos y cierre la puerta.
2. Gire la perilla de selección de tiempo en sentido horario hasta el valor deseado.
 - El tiempo de cocción se puede fijar hasta 6 minutos.
 - El horno empieza a funcionar y se inicia la cuenta regresiva del tiempo establecido.
3. Una vez transcurrido el tiempo de cocción, se interrumpe la emisión de microondas y suena la señal del horno.

Para Interrumpir el Funcionamiento

Abra la puerta del horno para interrumpir el funcionamiento o gire la perilla de selección de tiempo en sentido antihorario hasta "0". Para reanudar el funcionamiento del horno microondas, cierre la puerta del horno. Si había cambiado el tiempo a "0", deberá reajustarlo.

Para Cambiar el Tiempo de Cocción y Cancelar Errores

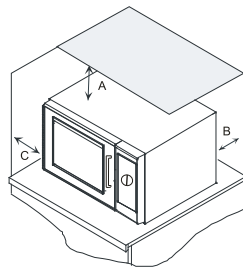
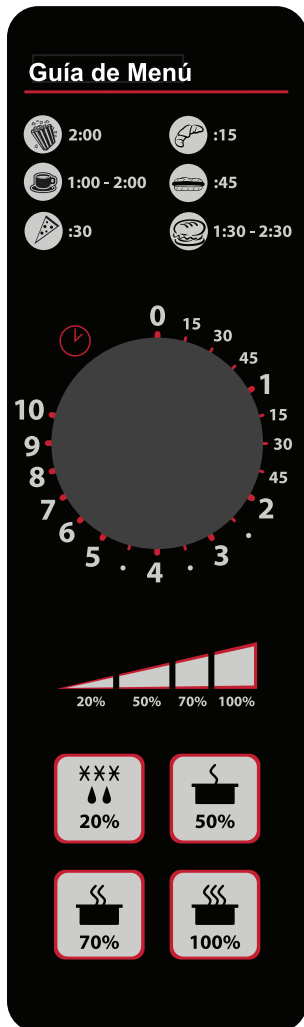
El tiempo de cocción se puede modificar en cualquier momento durante el funcionamiento del horno. Gire la perilla al valor deseado. Para fijar el tiempo de cocción en cero, gire la perilla en sentido antihorario hasta "0".



Operación con Cuadrante Digital

ESTILO 2

La opción de cuadrante está disponible sólo en algunos modelos.

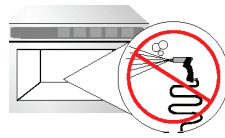


Espacios para el horno entre paredes

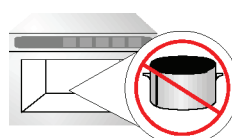
A—Para modelos estadounidenses (UL/CSA), permita que haya un espacio de por lo menos 2 pulgadas (5.1 cm) en derredor de la parte superior del horno. Para modelos internacionales (50 Hz), permita que haya un espacio de por lo menos 12 pulgadas (30 cm) en derredor de la parte superior del horno. Un flujo de aire apropiado en derredor del horno permite el enfriamiento de los componentes eléctricos. Con restricciones en el flujo de aire, el horno no funcionará adecuadamente y se reducirá la vida útil de las partes eléctricas.

B—Permita que haya un espacio de por lo menos 2 pulgadas (5.1 cm) entre la descarga de aire de la parte posterior del horno y la pared trasera.

C—Permita que haya un espacio de por lo menos 2 pulgadas (5.1 cm) en derredor de las caras laterales del horno.



NO activar el rociador



No utilizar cacerolas de metal

Entonces...¿cómo lo uso?

(Dial electrónico/mecánico)

Calentamiento

1. Abra la puerta del horno, coloque los alimentos y cierre la puerta del horno.
2. Seleccione el nivel de potencia deseado o use el ajuste predeterminado del 100%.
3. Gira la perilla de selección del tiempo en el sentido de las agujas del reloj hasta llegar al tiempo deseado.
 - El tiempo de cocimiento puede ajustarse hasta 10 minutos.
 - El horno comienza a funcionar y se inicia la cuenta regresiva.
4. Una vez transcurrido el tiempo de cocimiento, la energía de microondas se detiene y se emite una señal sonora.

Interrupción de la operación

Abra la puerta del horno para interrumpir la operación o gire la perilla de selección del tiempo en el sentido contrario a las agujas del reloj hasta llegar a "0".

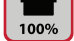
Para reanudar el funcionamiento del horno de microondas, cierre la puerta, seleccione la tecla de nivel de potencia y gire la perilla.

Cambio del tiempo y cancelación de errores


El tiempo de calentamiento y el nivel de potencia pueden modificarse en cualquier momento mientras el horno esté funcionando. Presione la tecla de nivel de potencia o gire la perilla hasta llegar al nuevo ajuste deseado. Para ajustar el tiempo de cocimiento en cero, gire la perilla en el sentido contrario a las agujas del reloj hasta llegar a "0" o abra y cierre la puerta durante el ciclo.

Cambio del tiempo Opción

El reinicio del cronómetro en cero puede ajustarse en cualquier momento para pausar el nivel de potencia y el tiempo de cocimiento actuales cuando se abre la puerta. Para cambiar esta opción, siga el paso indicado a continuación.

- Con la puerta abierta, presione y deje presionada la tecla del 100%  por 5 segundos hasta que se oiga un zumbido. Cierre la puerta; esto cambia la configuración del cronómetro para pausar el nivel de potencia y el tiempo de cocimiento actuales cuando se abre la puerta.

El cronómetro que pausa el nivel de potencia y el tiempo de cocimiento actuales puede ajustarse en cualquier momento para reiniciarse en cero y a un nivel de potencia del 100% cuando se abre la puerta. Para cambiar esta opción, siga el paso indicado a continuación.

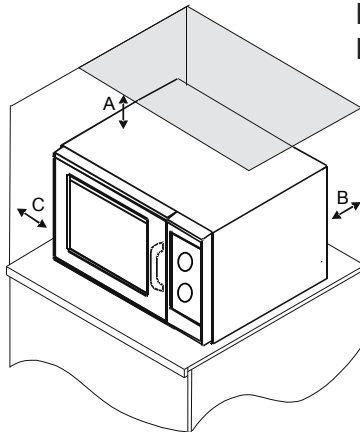
- Con la puerta abierta, presione y deje presionada la tecla del 20%  por 5 segundos hasta que se oiga un zumbido. Cierre la puerta; esto cambia la configuración del cronómetro para reiniciar el cronómetro en cero y el nivel de potencia en el 100% cuando se abre la puerta.

La operación de conmutación de este horno de microondas puede provocar fluctuaciones de voltaje en la línea de suministro eléctrico. El funcionamiento de este horno en condiciones desfavorables de suministro eléctrico puede ocasionar efectos adversos. Este dispositivo está diseñado para ser conectado a un sistema de suministro eléctrico con una impedancia máxima permitida de sistema Zmax de 0.2 Ohms en el punto de interfaz del suminsitro eléctrico del usuario. El usuario debe asegurarse de conectar este dispositivo únicamente a un sistema de suminsitro eléctrico que se ajuste al requisito mencionado anteriormente. De ser necesario, el usuario puede solicitarle a la empresa pública de suministro eléctrico la impedancia de sistema requerida en el punto de interfaz.

ESTILO 3

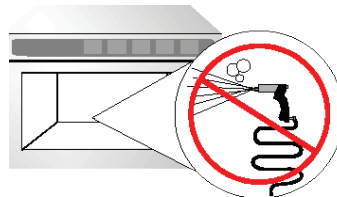
La opción de cuadrante está disponible sólo en algunos modelos.

El funcionamiento intermitente de este horno microondas puede ocasionar fluctuaciones de voltaje en la línea de alimentación. Si la tensión de alimentación es inadecuada, el funcionamiento de este horno microondas puede tener efectos perjudiciales. Este aparato ha sido diseñado para conectarse a un sistema de alimentación cuya impedancia admisible máxima Z_{max} sea de **0,2 ohm** en el punto de interconexión de la fuente del usuario. El usuario debe garantizar que este dispositivo se conecte sólo a un sistema de alimentación que cumpla con este requisito. Si es necesario, el usuario puede pedirle a la empresa de energía eléctrica información sobre la impedancia del sistema en el punto de interconexión.

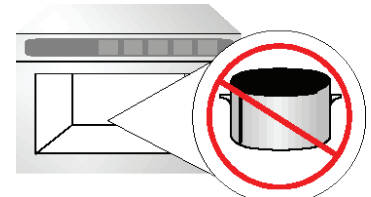


Espacio Libre Alrededor de las Paredes del Horno

- A—Para los modelos de América del Norte (UL/CSA), deje al menos 5,1 cm (2 pulg.) de espacio libre alrededor de la parte superior del horno. Para modelos Internacionales (50 Hz), deje al menos 30 cm (12 pulg.) de espacio libre alrededor de la parte superior del horno. La circulación de aire adecuada alrededor del horno enfría sus componentes eléctricos. Si se restringe la circulación de aire, posiblemente no funcione correctamente el horno y se reduzca la duración de las piezas eléctricas.
- B—Deje al menos 5,1 cm (2 pulg.) entre la salida de aire, en la parte posterior del horno, y la pared de fondo.
- C—Deje al menos 5,1 cm (2 pulg.) de espacio libre por los lados del horno.



NO rocíe con pistola



No use cacerolas metálicas



Y entonces... ¿cómo lo uso? (Cuadrante)

Para Cocinar

1. Abra la puerta del horno, introduzca los alimentos y cierre la puerta.
2. Gire la perilla de nivel de potencia hasta la graduación deseada.
 - El nivel de potencia se puede fijar en Hold (retener, mantener) (15%), Defrost (descongelar) (30%), Medium (intermedio) (50%), Med. High (intermedio alto) (70%) o High power (alta potencia) (100%).
3. Gire la perilla de selección de tiempo en sentido horario hasta que aparezca el valor deseado.
 - El tiempo de cocción se puede fijar hasta 10 minutos.
 - Si va a girar la perilla de temporización por menos de 2 minutos, gírela más allá de 2 minutos y luego devuélvala al valor deseado.
4. El horno empieza a funcionar y se inicia la cuenta regresiva del tiempo establecido.
5. Una vez transcurrido el tiempo de cocción, se interrumpe la emisión de microondas y suena la señal del horno.

Para Interrumpir el Funcionamiento

Abra la puerta del horno para interrumpir el funcionamiento o gire la perilla de selección de tiempo en sentido antihorario hasta "0". Para reanudar el funcionamiento del horno microondas, cierre la puerta del horno. Si había cambiado el tiempo a "0", deberá reajustarlo.

Para Cambiar el Tiempo y la Potencia de Cocción y Cancelar Errores

El tiempo de cocción y el nivel de potencia se pueden modificar en cualquier momento durante el funcionamiento del horno. Gire la(s) perilla(s) al nuevo valor deseado. Para fijar el tiempo de cocción en cero, gire la perilla de selección de tiempo en sentido antihorario hasta "0".

Cuidado y Limpieza

PIEZA	RECOMENDACIÓN SOBRE EL CUIDADO Y LA LIMPIEZA
Interior, Exterior y la Puerta	<p>Limpie el microondas aplicándole una solución de detergente suave y agua tibia mediante una esponja o un trapo sin asperezas. Antes de limpiar el equipo, elimine el exceso de agua en la esponja o el trapo. Si lo desea, hierva una taza de agua en el horno de microondas para aflojar la suciedad antes de limpiarlo.</p> <p>Importante:</p> <ul style="list-style-type: none">• No use detergentes ni limpiadores abrasivos que contengan amoníaco o cítricos. Podrían deteriorar el acabado.• Nunca vierta agua por la parte inferior del horno de microondas.• No use sistemas de limpieza que utilicen agua a presión.
Ventiladores de Extracción de Aire	<p>Verifique mensualmente si hay acumulación de residuos de cocción a lo largo de las rejillas de entrada y salida en las partes inferior y posterior del horno. Limpie las salidas y entradas de ventilación con un paño húmedo para garantizar el flujo adecuado del aire. Séquelas completamente.</p>
Filtro de Entrada de Aire	<p>El filtro no extraíble se encuentra debajo de la puerta del horno. Limpie regularmente el filtro de entrada de aire para mantener un flujo adecuado de aire. Limpie las salidas y entradas de ventilación con un paño húmedo para garantizar el flujo adecuado del aire.</p> <p>Importante:</p> <p>Para evitar todo sobrecalentamiento y daño al horno, limpie regularmente el filtro de aire.</p>
Panel de Control	<p>Abra la puerta del horno para desactivar el temporizador del horno. Límpielo aplicándole una solución de detergente suave y agua tibia mediante una esponja o un trapo sin asperezas.</p>

Antes de Llamar al Servicio Técnico

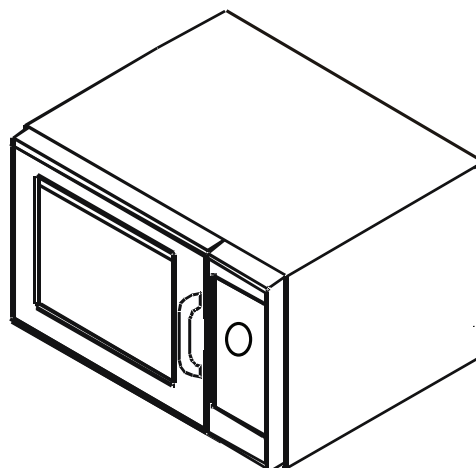
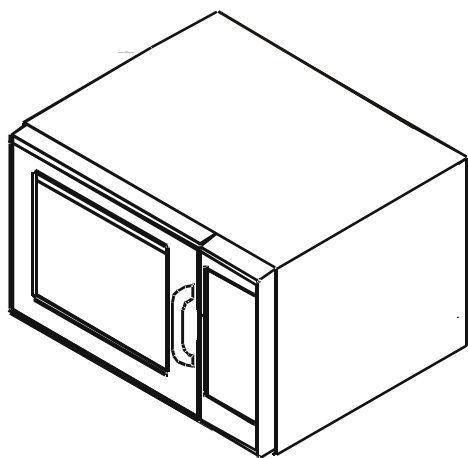
Problema	Causa Posible
El horno no funciona.	<p>Cerciórese que el horno esté conectado en el circuito.</p> <p>Cerciórese que el horno se encuentre conectado a un circuito polarizado puesto a tierra. (Póngase en contacto con un electricista para cerciorarse)</p> <p>Verifique el fusible o cortacircuito.</p>
El horno funciona de forma intermitente.	<p>Verifique el filtro de aire y las áreas de descarga para asegurarse que estén libres de obstrucciones.</p>
El horno no acepta entradas cuando se oprime la tecla.	<p>Cerciórese que el horno esté encendido.</p> <p>Abra y cierre la puerta del horno. Oprima nuevamente la tecla.</p>
Si el horno tiene desperfectos o muestra F con un número.	<p>El control del horno está equipado con un sistema de autodiagnóstico. El sistema de autodiagnóstico le advierte si se ha producido un error o se ha detectado un problema. Cuando el control electrónico indica un problema, siga los pasos listados a continuación.</p> <ol style="list-style-type: none"> 1. Registre el número que aparece en la pantalla. 2. Desenchufe el horno, espere 1 minuto y vuelva a enchufar el horno. <ul style="list-style-type: none"> • Es posible que la desconexión del suministro eléctrico pueda eliminar el código de servicio. Si el fallo persiste, llame a ACP ComServ libre de cargo al 1-866-426-2621 dentro de EE.UU. o Canadá.
El horno funciona pero los alimentos no se calientan.	<p>Coloque una taza de agua en el horno.</p> <p>Haga funcionar el horno por un minuto a potencia plena (100%).</p> <p>Si la temperatura no aumenta, el horno no está funcionando correctamente.</p> <p>Póngase en contacto con un técnico de servicio autorizado de ACP o llame a ACPComServ libre de cargo al 1-866-426-2621 dentro de EE.UU. o Canadá.</p>



ADVERTENCIA

Para evitar los electrochoques que pueden causar lesiones personales graves o la muerte, no retire la cubierta o caja externa en ningún momento. La cubierta o caja externa sólo debe retirarla un técnico de servicio autorizado de ACP.

Manuel du propriétaire



Four à micro-ondes commercial

Conserver ces instructions pour les consulter ultérieurement. Si le four change de propriétaire, ce manuel doit être joint au four.

Table des matières

Identification du modèle	2
PRÉCAUTIONS POUR ÉVITER LE RISQUE D'EXPOSITION À UN RAYONNEMENT EXCESSIF DES MICRO-ONDES	3
CONSIGNES DE SÉCURITÉ IMPORTANTES..	3
Instructions de mise à la terre	5
Installation	5
Afficheur et fonctions.....	6
Utilisation des commandes du four (modèles électroniques).....	8
Programmation des commandes du four (modèles électroniques).....	9
Options de l'utilisateur (modèles électroniques).....	10
Utilisation du sélecteur numérique ...	11
Utilisation du sélecteur ..	12
Utilisation du sélecteur	13
Entretien et nettoyage	14
Avant d'appeler le service à la clientèle	15

Identification du modèle

Lors de tout appel à ACP, fournir les informations sur le produit. Les informations sur le produit sont situées sur la plaque du numéro de série sur la paroi arrière du four. Noter les informations suivantes :

Numéro de modèle : _____

Numéro de fabrication : _____

Numéro de série ou S/N : _____

Date d'achat : _____

Nom et adresse du concessionnaire : _____

Pour toute question ou pour connaître les coordonnées d'un technicien agréé ACP, composer sans frais le 1-866-426-2621 aux États-Unis ou au Canada, ou le 1-319-368-8120 à l'extérieur des États-Unis ou du Canada.

Les réparations sous garantie doivent être effectuées par un technicien agréé ACP. ACP conseille également de contacter un technicien agréé ACP si une réparation est nécessaire une fois la garantie expirée.

CONSIGNES DE SÉCURITÉ IMPORTANTES



Ce symbole est associé à une consigne de SÉCURITÉ



AVERTISSEMENT

Lors de l'utilisation d'équipement électrique, il convient de suivre des précautions de base sur la sécurité afin de réduire les risques de brûlures, de choc électrique, d'incendie ou de blessures.

1. LIRE toutes les instructions avant d'utiliser l'appareil.
2. Dans la présente section, LIRE ET APPLIQUER spécifiquement les « PRÉCAUTIONS POUR ÉVITER LE RISQUE D'EXPOSITION À UN RAYONNEMENT EXCESSIF DES MICRO-ONDES ».
3. Cet équipement DOIT ÊTRE MIS À LA TERRE. Connecter seulement à une prise correctement MISE À LA TERRE. Se reporter à la section « INSTRUCTIONS DE MISE À LA TERRE » à la page 5.
4. Installer ou placer cet appareil en respectant STRICTEMENT les instructions d'installation contenues dans ce manuel.
5. Certains aliments, notamment les œufs entiers, ainsi que les contenants hermétiquement fermés – par exemple, des pots de verre fermés – peuvent éclater et NE DOIVENT PAS être RÉCHAUFFÉS dans ce four.
6. Utiliser cet appareil UNIQUEMENT selon l'usage prévu décrit dans ce manuel. Ne pas utiliser de produits chimiques dans l'appareil car ils peuvent produire des vapeurs corrosives. Ce type de four a été conçu spécifiquement pour réchauffer, cuire ou sécher des aliments. Il n'a pas été conçu pour un usage industriel ou un usage en laboratoire.
7. Comme pour tout appareil, une SURVEILLANCE ATTENTIVE est requise lorsque des ENFANTS se servent du four à micro-ondes.
8. Se reporter aux instructions sur le nettoyage de la porte à la page 13 de ce manuel de sécurité sur le produit.
9. NE PAS chauffer de biberons dans le four.
10. Les pots d'aliments pour bébés doivent être ouverts lorsqu'ils sont réchauffés, et leur contenu mélangé ou agité avant d'être consommé afin d'éviter les brûlures.
11. NE PAS utiliser cet équipement si la prise ou le cordon sont endommagés, s'il ne fonctionne pas correctement, s'il a été endommagé ou s'il est tombé.
12. Cet appareil, y compris le cordon d'alimentation, doit être réparé UNIQUEMENT par un technicien agréé. Des outils spéciaux sont nécessaires pour réparer cet appareil. Contacter le centre de réparation agréé le plus proche s'il est nécessaire d'inspecter l'appareil, de le réparer ou de le régler.
13. NE PAS couvrir ou bloquer le filtre ou les autres ouvertures sur cet équipement.
14. NE PAS entreposer cet appareil à l'extérieur. NE PAS utiliser cet appareil à proximité d'un point d'eau – notamment près d'un évier de cuisine, dans un sous-sol humide, près d'une piscine ou dans un emplacement similaire.
15. NE PAS immerger le cordon ou la prise dans l'eau.
16. Éloigner TOUJOURS le cordon des surfaces CHAUFFÉES.
17. NE PAS laisser le cordon pendre sur le rebord d'une table ou d'un comptoir.
18. Pour un usage commercial uniquement.

PRÉCAUTIONS POUR ÉVITER LE RISQUE D'EXPOSITION À UN RAYONNEMENT EXCESSIF DES MICRO-ONDES

- A. **NE PAS** essayer de faire fonctionner ce four à micro-ondes lorsque la porte est ouverte, car une telle utilisation peut entraîner une exposition dangereuse au rayonnement des micro-ondes. Il est important de ne pas annuler ni modifier le système de verrouillage du four.
- B. **NE PAS** placer d'objet entre la face avant du four et la porte ou laisser de la saleté ou un résidu de détergent s'accumuler sur les surfaces d'étanchéité.
- C. **NE PAS** faire fonctionner le four s'il est endommagé. Il est particulièrement important que la porte du four ferme parfaitement, et de vérifier qu'aucun dommage ne soit présent sur :
 1. la porte (tordue)
 2. les charnières et les loquets (brisés ou desserrés)
 3. les joints et les surfaces d'étanchéité de la porte.
- D. Le four doit être réglé ou réparé uniquement par un technicien agréé.

CONSERVER CES INSTRUCTIONS

CONSIGNES DE SÉCURITÉ IMPORTANTES



AVERTISSEMENT

Pour éviter les risques d'incendie dans la cavité du four :

- a. NE PAS trop cuire les aliments. Surveiller attentivement le four lorsque du papier, du plastique ou d'autres matériaux combustibles sont placés dans le four pour faciliter la cuisson.
- b. Enlever les attaches des sacs en papier ou en plastique avant de placer les sacs dans le four.
- c. Si des matériaux à l'intérieur du four prennent feu, laisser la porte du four FERMÉE, éteindre le four et débrancher le cordon d'alimentation ou couper le courant au niveau du fusible ou du disjoncteur.
- d. NE PAS utiliser la cavité du four comme lieu d'entreposage. NE PAS laisser de produits en papier, d'ustensiles de cuisson ni d'aliments dans la cavité du four lorsqu'il n'est pas utilisé.



AVERTISSEMENT

Les liquides, notamment l'eau, le café ou le thé peuvent chauffer au-delà du point d'ébullition sans paraître en ébullition en raison de la tension de surface du liquide. La présence de bulles ou de signe d'ébullition n'est pas toujours visible lorsque le contenant est retiré du four à micro-ondes. PAR CONSÉQUENT UN DÉBORDEMENT SOUDAIN DE LIQUIDE EN ÉBULLITION PEUT SE PRODUIRE LORSQU'UNE CUILLÈRE OU TOUT AUTRE USTENSILE SONT PLONGÉS DANS DES LIQUIDES EXTRÊMEMENT CHAUDS. Afin de réduire le risque de blessures :

- i) Ne pas surchauffer les liquides.
- ii) Mélanger le liquide avant de le réchauffer et à la mi-cuisson.
- iii) Ne pas utiliser de contenants droits à goulot étroit.
- iv) Après l'avoir réchauffé, laisser le contenant dans le four à micro-ondes pendant quelques instants avant de le retirer.
- v) Faire preuve d'une grande prudence lorsqu'une cuillère ou un ustensile sont plongés dans le contenant.



ATTENTION

Afin d'éviter des blessures ou des dommages matériels, respecter les consignes suivantes :

1. Ne pas utiliser le four pour la cuisson en friture profonde dans le four. Une surchauffe dangereuse des matières grasses pourrait se produire et être difficile à contrôler.
2. Ne pas cuire ou recuire des œufs dans leur coquille ou un jaune d'œuf sans le percer préalablement lors de l'utilisation du four à micro-ondes. La pression peut s'accumuler et faire éclater les œufs. Percer les jaunes d'œufs avec une fourchette ou un couteau avant de les cuire.
3. Percer la peau des pommes de terre, des tomates ou d'aliments semblables avant de les cuire au four à micro-ondes. La peau percée permet à la vapeur de s'échapper.
4. Ne pas faire fonctionner l'appareil à vide, sans aliment dans la cavité du four.
5. Utiliser seulement du maïs soufflé dans des sacs conçus et étiquetés pour une utilisation dans le four à micro-ondes. **Le temps d'éclatement varie selon la puissance du four.** Ne pas continuer la cuisson une fois l'éclatement terminé. Sinon le maïs soufflé roussit ou brûle. Ne pas laisser le four sans surveillance.
6. Ne pas utiliser de thermomètres de cuisson classiques dans ce four. La plupart des thermomètres de cuisson contiennent du mercure, ce qui peut provoquer un arc électrique, un dysfonctionnement ou un endommagement du four.
7. Ne pas utiliser d'ustensiles en métal dans ce four.
8. Ne jamais utiliser de papier, de plastique ni d'autres matériaux combustibles qui ne sont pas spécifiquement conçus pour la cuisson.
9. Lors d'une cuisson avec du papier, du plastique ou d'autres matériaux combustibles, suivre les recommandations du fabricant sur l'utilisation des produits.
10. Ne pas utiliser de serviettes en papier qui contiennent du nylon ou d'autres fibres synthétiques. Des produits synthétiques chauffés risquent de provoquer la combustion du papier.
11. Ne pas chauffer des contenants ou des sacs en plastique hermétiquement fermés dans le four. La nourriture ou le liquide peuvent occasionner une accumulation soudaine de pression à l'intérieur du contenant ou du sac et provoquer leur éclatement. Percer ou ouvrir le contenant ou le sac avant de chauffer.
12. Afin d'éviter le dysfonctionnement d'un stimulateur cardiaque, consulter un médecin, ou le fabricant du stimulateur cardiaque pour connaître les effets du rayonnement des micro-ondes sur un stimulateur cardiaque.
13. Un technicien agréé DOIT inspecter l'appareil annuellement. Noter toutes les inspections et les réparations effectuées comme référence future.
14. Nettoyer le four régulièrement et enlever tout dépôt de nourriture.
15. Afin d'éviter la détérioration des surfaces, garder le four propre. Un nettoyage irrégulier pourrait nuire à la durée de vie de l'appareil et même entraîner des situations à risque.

CONSERVER CES INSTRUCTIONS

Déballage du four

- Vérifier que le four n'est pas endommagé et que la porte ou la cavité ne sont pas bosselées.
- Signalez immédiatement tout bossellement ou pièce cassée en contactant le lieu d'achat. **Ne pas essayer d'utiliser le four s'il est endommagé.**
- Enlever tous les matériaux d'emballage de l'intérieur du four.
- Si le four a été entreposé dans des endroits soumis à un froid extrême, attendre quelques heures avant de rebrancher l'alimentation.

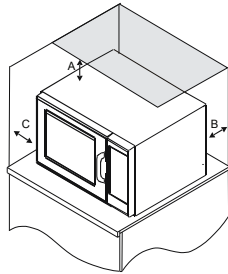
Interférence radioélectrique

Le fonctionnement d'un four à micro-ondes peut créer des interférences sur une radio, un téléviseur ou un four similaire. Réduire ou éliminer les interférences en prenant les mesures suivantes :

- Nettoyer la porte et les surfaces d'étanchéité du four conformément aux instructions de la section *Entretien et nettoyage*.
- Placer la radio, le téléviseur, etc., aussi loin que possible du four.
- Utiliser une antenne de radio, de téléviseur, etc., installée adéquatement pour obtenir une meilleure réception.

Emplacement du four

- Ne pas installer pas le four à proximité ou au-dessus d'une source de chaleur comme un four à pizza ou une friteuse à cuisson profonde. Cela peut entraîner un dysfonctionnement du four et réduire la durée de vie des pièces électriques.
- Ne pas bloquer ni obstruer le filtre du four. Prévoir un accès pour permettre le nettoyage.
- Installer le four sur un comptoir à niveau.
- Placer une étiquette d'avertissement bien en évidence, à proximité du four.
- La prise doit être située de telle manière que la fiche reste accessible lorsque le four est en place.



A—Pour les modèles d'Amérique du Nord (UL/CSA), prévoir au moins 5,1 cm (2 po) de dégagement au-dessus du four. Pour les modèles internationaux de 50 Hz, prévoir au moins 30 cm (12 po) au-dessus du four. Une circulation d'air adéquate autour du four permet de refroidir les composants électriques. Si la circulation d'air est restreinte, le four risque de ne pas fonctionner adéquatement, et la durée de vie utile des composants électriques est alors réduite.

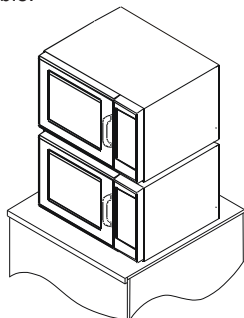
B—Prévoir au moins 5,1 cm (2 po) de dégagement entre le mur et l'évacuation d'air à l'arrière du four.

C—Prévoir au moins 5,1 cm (2 po) de dégagement sur les côtés du four.

Dégagements minimaux requis

Empilage de fours

- L'empilage de fours est autorisé en utilisant le support d'empilage situé sur la charnière supérieure latérale du panneau arrière du four.
- Pour utiliser les supports d'empilage du panneau arrière des fours, retirer les vis des supports d'empilage afin de pouvoir fixer ces derniers sur les panneaux arrière entre les deux fours à l'aide des vis des panneaux arrière pour que les deux fours soient fermement maintenus ensemble.



⚠ AVERTISSEMENT

Afin d'éviter les risques de choc électrique ou de mort, ce four doit être mis à la terre.

⚠ AVERTISSEMENT

Afin d'éviter les risques de choc électrique ou de mort, ne pas modifier la fiche.

Instructions de mise à la terre

Le four DOIT être mis à la terre. En cas de court-circuit, la mise à la terre réduit les risques de choc électrique en dérivant le courant au moyen d'un fil de terre. Ce four est équipé d'un cordon avec mise à la terre et une fiche de mise à la terre. La fiche doit être branchée dans une prise installée et mise à la terre correctement.

Consulter un électricien ou un technicien agréé si les instructions de mise à la terre ne sont pas bien comprises, ou si un doute subsiste quant à une mise à la terre appropriée du four.

Ne jamais utiliser de rallonge électrique.

Si le cordon d'alimentation est trop court, demander à un électricien agréé d'installer une prise à trois fentes. Ce four doit être branché sur un circuit électrique séparé dont les caractéristiques nominales correspondent aux caractéristiques du produit (disponibles sur le site acpsolutions.com). Lorsqu'un four à micro-ondes est branché sur un circuit partagé par d'autres appareils, un temps de cuisson supérieur peut être nécessaire, et les fusibles peuvent griller.

Borne de mise à la terre isopotentielle externe (pour l'exportation seulement)

Le four est muni d'une deuxième borne de mise à la terre. La borne permet un branchement externe de mise à la terre utilisé en plus de la broche ou de la fiche de mise à la terre. Cette borne, située sur le panneau extérieur arrière du four, est marquée avec le symbole indiqué ci-dessous.



Afficheur et fonctions (certains modèles)



Touche DÉMARRER

La touche START (DÉMARRER) est utilisée pour commencer un cycle de cuisson avec entrée manuelle du temps. Elle sert également à sauvegarder tout changement des séquences de programmation ou d'options de l'utilisateur.

Touche ARRÊT/RÉINITIALISER

La touche STOP/RESET (ARRÊT/RÉINITIALISER) permet d'arrêter une séquence de cuisson en cours, d'annuler tout temps restant et de terminer un cycle de programmation ou d'options de l'utilisateur. Lorsque la touche STOP/RESET (ARRÊT/RÉINITIALISER) est utilisée pour mettre fin à une modification de programmation ou d'option, les modifications ne sont pas conservés.



Programmation à touche unique

(illustration de la touche 1)

Cette fonction permet à chaque touche numérique d'être programmée pour une procédure/utilisation de cuisson spécifique. Pour utiliser cette fonction, il suffit de programmer la touche en fonction du temps de cuisson et du niveau de puissance souhaités. Pour utiliser cette fonction, appuyer une fois sur la touche pour que le four à micro-ondes démarre la cuisson.



Programmation à deux touches

(sur certains modèles)

Cette fonction permet d'entrer 100 programmes. Un nombre à deux chiffres est assigné à chaque entrée, l'exemple montre 07. L'utilisation de la programmation à deux touches exige la pression de deux touches pour démarrer le cycle de cuisson.



Entrée manuelle du temps de cuisson

En plus des touches programmables, ce four à micro-ondes permet également des entrées de temps de cuisson spécifiques à l'aide de la touche TIME ENTRY (ENTRÉE DU TEMPS DE CUISSON). L'utilisation de l'entrée manuelle du temps de cuisson ne modifie pas les touches programmées.

X2

Touche X2

La touche X2 augmente un temps de cuisson prédéfini d'une durée correspondant à pourcentage du temps de cuisson d'origine (facteur de cuisson). L'utilisateur peut spécifier le pourcentage et peut le modifier pour des séquences de cuisson individuelles. Cette fonction est très utile pour la cuisson de plusieurs portions de nourriture. La touche X2 peut être utilisée avec une programmation à touche unique ou une programmation à deux touches. Pour changer le facteur de cuisson, se reporter à la section *Programmation des commandes du four*.

Cuisson par étapes

La cuisson par étapes s'effectue par séquence associée à des modifications de puissance spécifiques. L'utilisateur peut programmer jusqu'à quatre niveaux de puissance différents et le temps de cuisson spécifique associé à chacun d'eux. Chaque combinaison (niveau de puissance et temps de cuisson) constitue une étape. Il est possible de programmer jusqu'à 4 étapes.

Options de l'utilisateur



Ce four à micro-ondes peut être réglé selon les préférences de l'utilisateur. Les options comme un bip pour le volume, un temps de cuisson maximum et le nombre de touches programmables peuvent être modifiées. Pour modifier les options, se reporter à la section *Options de l'utilisateur* de ce manuel.

L'opération de commutation de ce four à micro-ondes peut produire des variations de tension au niveau de la ligne d'alimentation. Le fonctionnement de ce four dans des conditions d'alimentation de tension défavorables peut entraîner des effets indésirables. Cet appareil est conçu pour être branché à un système d'alimentation électrique d'impédance minimale Z_{max} de **0.10 ohm** au point d'interface de l'alimentation de l'utilisateur. L'utilisateur doit s'assurer que cet appareil est branché sur une source d'alimentation conforme aux exigences indiquées ci-dessus. Le cas échéant, l'utilisateur peut s'informer auprès de l'entreprise de production électrique pour connaître l'impédance du système au point d'interface.

Afficheur et fonctions (certains modèles)

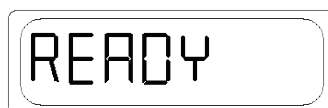
Affichage de cuisson

AFFICHAGES	DESCRIPTION
READY	READY (PRÊT) s'affiche lorsqu'une commande de four peut accepter des entrées.
00:00	Affiche le temps de cuisson. Si une cuisson par étapes est programmée, le temps total de cuisson s'affiche.
HOLD 0% DEFR 20% MED 50% MED HI 70%	Ces réglages affichent le niveau de puissance actuel utilisé par le four micro-ondes. Si rien de s'affiche, le four à micro-ondes fonctionne à pleine puissance (100 %).
POWER	POWER (PUISSANCE) s'affiche alors que le four produit de l'énergie micro-ondes pendant le cycle de cuisson.



Afficheur

Les éléments de l'afficheur peuvent ne pas être disponibles sur certains modèles.



Ready (Prêt)

Ready (Prêt) s'affiche lorsqu'une commande de four peut accepter des entrées.

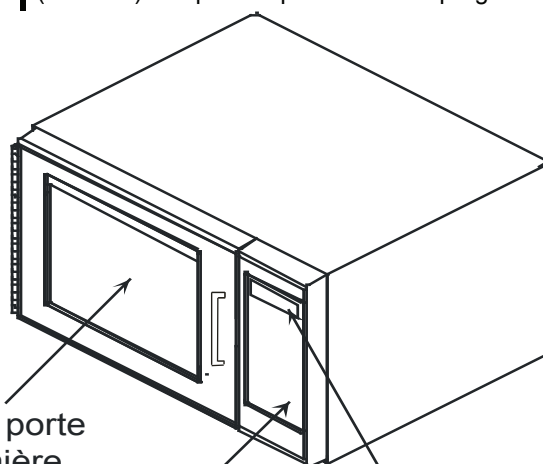


Affichages de cuisson

33:33 affiche le temps total de cuisson. Lorsque plus d'une étape de cuisson est programmée, le temps total pour toutes les étapes est affiché. COOK s'affiche lorsque le four fonctionne. DEFROST 20% (DÉCONGÉLATION), MEDIUM 50% (MOYEN), ou MED-HI 70% (MOYEN-ÉLEVÉ) s'affichent pour indiquer le niveau de puissance utilisé par le four à micro-ondes. Lorsque HOLD 0% (TEMPS D'ARRÊT) s'affiche COOK (CUISSON) ne s'affiche pas. Si la puissance du four est réglée à 0 %, le four ne chauffe pas pendant le temps programmé. Si aucun niveau de puissance n'est affiché, le four fonctionne à une puissance de 100 %.

Affichage de programmation

AFFICHAGES	DESCRIPTION
P:0	S'affiche lorsque le four est en mode de programmation pour une mémoire à touche unique seulement.
P:	S'affiche lorsque le four est en mode de programmation pour une mémoire à deux touches.
OP: --	S'affiche lorsque le four est en mode options de l'utilisateur. Les options de l'utilisateur peuvent être définies ou spécifiées.
CF:	S'affiche avec un facteur de cuisson numérique lorsque la touche X2 est appuyée.
P:-- ¹	S'affiche brièvement lors de la programmation d'une étape de cuisson spécifique. Le numéro d'étape (de 1 à 4) indique l'étape de cuisson programmée.



Fenêtre de la porte du four et lumière intérieure

Touches de commandes du four

Afficheur du four

Utilisation des commandes du four (commandes électroniques)

Interruption du fonctionnement

Ouvrir la porte du four ou appuyer sur la touche STOP/RESET (ARRÊT/RÉINITIALISER) pour interrompre le fonctionnement. L'afficheur continue d'indiquer le compte à rebours. Fermer la porte et appuyer sur la touche START (DÉMARRER) pour reprendre l'opération du four.

X2 Touche X2

Pour augmenter le temps de cuisson d'une durée correspondant à un facteur de cuisson spécifique lors de la cuisson de plusieurs portions. Le facteur de cuisson correspond à un pourcentage du temps de cuisson d'origine (de 10 à 100 %).

- Ouvrir la porte du four et placer les aliments dans le four. Fermer la porte.
 - READY** (PRÊT) s'affiche. Le ventilateur et la lumière s'allument.
- Appuyer sur la touche X2.
 - Le temps ajouté correspond à un pourcentage du temps de cuisson d'origine préprogrammé.
 - Le pourcentage peut être changé. Se reporter à la section *Programmation des commandes du four* dans ce manuel.
- Appuyer sur la touche préprogrammée ou sur la séquence de touche voulue.
- Le four commence la cuisson. Le temps de cuisson affiché est le total du temps de cuisson d'origine auquel est ajouté le temps X2.

Entrée manuelle du temps de cuisson

Cuisson des aliments en programmant un temps de cuisson et un niveau de puissance spécifiques.

- Ouvrir la porte du four et placer les aliments dans le four. Fermer la porte.
 - READY** (PRÊT) s'affiche. Le ventilateur et la lumière s'allument.
- Appuyer sur la touche ENTRÉE DU TEMPS DE CUISSON.
 - READY** (PRÊT) et 0000 s'affichent.
 - Si la touche ne fonctionne pas, ouvrir et fermer la porte du four et réessayer.
- Entrer un temps de cuisson en utilisant les touches numériques.
- Appuyer sur une touche de niveau de puissance pour modifier ce dernier au besoin.
 - POWER LEVEL** (LE NIVEAU DE PUISSANCE) s'affiche avec le réglage de puissance.
 - 00 indique une puissance de micro-ondes de 0 %, 20 indique 20%, 50 indique 50% et 70 indique 70 % de puissance de micro-ondes. Si aucun nombre ne s'affiche avec POWER LEVEL, le four à micro-ondes utilise la pleine puissance.
- Pour une cuisson par étape, appuyer sur la touche ENTRÉE DU TEMPS DE CUISSON et répéter les étapes 3 à 4.
 - L'afficheur indique les modifications du temps de cuisson et du niveau de puissance pour l'étape suivante.
- Entrer un temps de cuisson et un niveau de puissance, comme pour les étapes 3 et 4.
 - Pour ajouter une autre étape de cuisson appuyer encore une fois sur la touche ENTRÉE DU TEMPS DE CUISSON.
 - Jusqu'à quatre étapes différentes peuvent être programmées.
- Appuyer sur la touche DÉMARRER.
 - Le four démarre et le compte à rebours commence.
 - POWER LEVEL, COOK LEVEL** (NIVEAU DE PUISSANCE, ÉTAPE DE CUISSON) et le temps de cuisson s'affichent.
- À la fin du cycle de cuisson, le four émet des bips et s'éteint.



Touches programmées

Pour cuire des aliments en utilisant des touches préprogrammées avec séquences de cuisson :

- Ouvrir la porte du four et placer les aliments dans le four. Fermer la porte.
 - READY** (PRÊT) s'affiche. Le ventilateur et la lumière sont activés.
- Appuyer sur la touche souhaitée.
 - Pour une entrée à touche unique, n'appuyer que sur une seule touche.
 - Pour une entrée à deux touches, appuyer sur les deux touches, dans l'ordre, du nombre à deux chiffres pour la séquence de cuisson désirée.
 - Pour passer de l'option à touche unique à l'option à deux touches, se reporter à la section des *Options de l'utilisateur* dans ce manuel.
- Le four démarre la cuisson.
 - POWER** (PUISSANCE), le niveau de puissance et le temps de cuisson sont affichés. Si le niveau de puissance n'est pas affiché, le four à micro-ondes cuit à pleine puissance.
 - Pour ajouter du temps de cuisson, appuyer encore une fois sur la touche préprogrammée afin de recommencer la séquence de cuisson.
- À la fin du cycle de cuisson, le four émet des bips et s'éteint.



Réglages en usine

Touche	Temps de cuisson	Touche	Temps de cuisson
1	10 s	6	1:30 min
2	20 s	7	2 min
3	30 s	8	3 min
4	45 s	9	4 min
5	1 min	0	5 min

Programmation des commande du four (commandes électroniques)

Touches de programmation

Le four est expédié de l'usine pour une programmation à une touche unique. Pour changer cette programmation par défaut et pouvoir utiliser deux touches, se reporter à la section des *Options de l'utilisateur*. Pour changer le temps ou le niveau de puissance d'une touche prédéfinie :

- Ouvrir la porte du four.
 - READY** (PRÊT) s'affiche.
 - Si la porte est fermée ou que la touche STOP (ARRÊT) est appuyée avant de terminer la programmation, les modifications sont annulées et le four micro-ondes quitte le mode de programmation.
- Appuyer sur la touche 1 et la maintenir enfoncée pendant environ 1 secondes.
 - Le mode de programmation commence.
 - Le four à micro-ondes émet un bip et PROGRAMI s'affiche. Le four est en mode de programmation.
- Appuyer sur la touche à reprogrammer.
 - Appuyer sur deux touches si la reprogrammation a un programme à deux touches.
 - Le niveau de puissance et le temps de cuisson s'affichent.
 - Si le niveau de puissance ne s'affiche pas, le four à micro-ondes est réglé à pleine puissance.
- Entrer un temps de cuisson en utilisant les touches numériques.
- Appuyer sur une touche de niveau de puissance pour modifier ce dernier au besoin.
- Appuyer sur la touche START (DÉMARRER) pour programmer d'autres modifications de touche.
 - PROGRAMI s'affiche
 - Si la touche START (DÉMARRER) n'est pas enfoncée, les modifications ne seront pas sauvegardées.
- Appuyer sur la touche STOP/RESET (ARRÊT/RÉINITIALISER) ou fermer la porte du four pour quitter le mode de programmation.



Programmation des étapes multiples

La cuisson par étapes permet d'effectuer des cycles de cuisson consécutifs, sans interruption. Il est possible de programmer jusqu'à quatre cycles de cuisson différents dans une touche de mémoire. Pour utiliser la cuisson par étapes :

- Suivre les étapes 1 à 5 ci-dessus.
- Appuyer sur la touche TIME ENTRY (ENTRÉE DU TEMPS DE CUISSON).
 - L'afficheur indique brièvement le numéro de la touche qui est programmée et le numéro de l'étape dans le coin supérieur droit.
 - L'afficheur indique les modifications du temps de cuisson et du niveau de puissance pour l'étape suivante.
- Entrer un temps de cuisson et un niveau de puissance, comme pour les étapes 4 et 5.
 - Pour entrer un autre temps de cuisson pour cette touche, appuyer encore une fois sur TIME ENTRY (ENTRÉE DU TEMPS DE CUISSON).
 - Il est possible de programmer jusqu'à quatre étapes différentes.
- Appuyer sur la touche START (DÉMARRER) pour programmer d'autres modifications de touche.
- Appuyer sur la touche STOP/RESET (ARRÊT/RÉINITIALISER) ou fermer la porte du four pour quitter le mode de programmation.



L'afficheur indique PROGRAMI

Lors d'un réglage pour une programmation à touche unique ou à deux touches, l'afficheur indique PROGRAMI lors d'une programmation pour des séquences de cuisson à touche unique ou à deux touches. Pour changer le réglage par défaut et permettre une programmation soit à touche unique, soit à deux touches, se reporter à la section *Options de l'utilisateur*.

Annulation des erreurs

Si le four n'est pas en mode cuisson, appuyer sur la touche STOP/RESET (ARRÊT/RÉINITIALISER) pour annuler les éléments sur l'afficheur. Si le four est en mode cuisson, appuyer une fois sur la touche STOP/RESET (ARRÊT/RÉINITIALISER) pour l'arrêter, puis encore une fois pour annuler les éléments sur l'afficheur. Si la porte du four est ouverte et que le temps est indiqué sur l'afficheur, fermer la porte du four et appuyer sur la touche STOP/RESET (ARRÊT/RÉINITIALISER) pour annuler les éléments sur l'afficheur.

X2 Programmation X2

Cette fonction permet d'ajouter à la séquence de cuisson une durée correspondant à un pourcentage prédéfini du temps de cuisson d'origine, appelé facteur de cuisson.

Pour modifier le facteur de cuisson :

- Ouvrir la porte du four.
- Appuyer sur la touche 1 et la maintenir enfoncée pendant environ 5 secondes.
- Appuyer sur la touche à reprogrammer.
- Appuyer sur la touche X2.
- Appuyer sur une touche numérique pour modifier le facteur de cuisson.
 - Le facteur de cuisson peut être réglé de 10 % à 100 %.
 - La valeur par défaut est 80 %.
 - La touche 5 fait passer le facteur de cuisson à 50 %.
 - La touche 3 fait passer le facteur de cuisson à 30 %.
- Appuyer sur la touche START (DÉMARRER) pour sauvegarder les modifications.

Options de l'utilisateur (commandes électroniques)

Une option ne convient pas?

Les réglages d'usine sont indiqués en caractères gras. Pour rétablir les réglages d'usine, il suffit de sélectionner l'option marquée en caractères gras.



Les modifications n'ont pas été enregistrées.

Pour sauvegarder des modifications il faut appuyer sur la touche START (DÉMARRER)

après avoir sélectionné une option.

Fermer la porte ou appuyer sur la touche STOP/RESET (ARRÊT/RÉINITIALISER) ne permet d'enregistrer les modifications.

Modification des options de l'utilisateur

Il est possible de modifier les options de programmation à touche unique ou à deux touches, le volume du bip et le temps maximal de cuisson, pour les adapter aux préférences personnelles. Modification des options :

- Ouvrir la porte du four.
 - Si la porte est fermée ou que la touche STOP/RESET (ARRÊT/RÉINITIALISER) est appuyée avant de terminer la programmation, les modifications sont annulées et le four à micro-ondes quitte le mode de programmation.
- Appuyer sur la touche 2 et la maintenir enfoncée pendant environ 5 secondes.
 - Le mode Options est lancé.
 - Le four à micro-ondes émet un bip et OP: -- s'affiche. Le four à micro-ondes est alors en mode de programmation.
- Appuyer sur la touche numérique qui commande les options à modifier.
 - Se reporter au tableau ci-dessous pour connaître les options.
 - L'option en cours s'affiche.
- Appuyer une nouvelle fois sur une touche numérique pour modifier l'option.
 - Chaque nouvelle pression sur la touche modifie l'option.
 - Sélectionner le code affiché correspondant à l'option souhaitée.
- Appuyez sur la touche START (DÉMARRER) pour sauvegarder les modifications.
 - OP: -- s'affiche.
 - Pour modifier d'autres options, répéter les étapes 3 et 4.
 - Les modifications s'affichent lorsque la porte est refermée ou que la touche STOP/RESET (ARRÊT/RÉINITIALISER) est enfoncée.

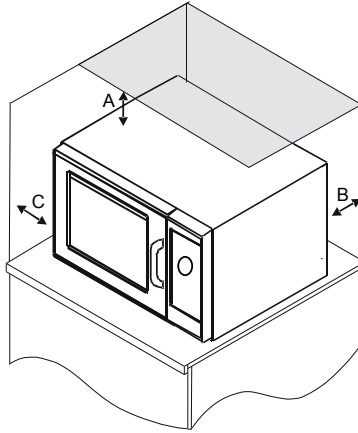
Touches numériques	Afficheur	Options (les réglages d'usine sont en indiqués en caractères gras)
1 Bip de fin de cycle	OP:10 OP:11 OP:12	Bip continu de 3 secondes. Bip continu jusqu'à ce que la porte soit ouverte. 5 bips soudains jusqu'à ce que la porte soit ouverte.
2 Touche de volume de bip	OP:20 OP:21 OP:22 OP:23	Supprime le bip. Règle le volume à un niveau bas. Règle le volume à un niveau moyen. Règle le volume à un niveau élevé.
3 Touche de bip	OP:30 OP:31	Coupe le bip lorsque la touche est appuyée. Active le bip lorsque la touche est appuyée.
4 Afficheur actif	OP:40 OP:41 OP:42 OP:43	15 secondes après l'ouverture de la porte du four, le clavier est désactivé. 30 secondes après l'ouverture de la porte du four, le clavier est désactivé. 1 minute après l'ouverture de la porte du four, le clavier est désactivé. 2 minutes après l'ouverture de la porte du four, le clavier est désactivé.
5 Cuisson ON-THE-FLY (sans préparation)	OP:50 OP:51	Empêche l'activation de différentes touches préprogrammées durant la cuisson. Permet l'activation de différentes touches préprogrammées durant la cuisson.
6 Réinitialiser au mode READY	OP:60 OP:61	Ouvrir la porte du four ne réinitialise pas le four au mode « prêt » (READY). Ouvrir la porte du four réinitialise le four au mode READY (prêt).
7 Temps de cuisson maximal	OP:70 OP:71	Permet 60 minutes de temps de cuisson. Permet 10 minutes de temps de cuisson.
8 Fonctionnement par commande manuelle	OP:80 OP:81	Permet uniquement l'utilisation des touches préprogrammées. Permet l'utilisation de l'entrée manuelle du temps de cuisson et des touches préprogrammées.
9 Fonctionnement à deux chiffres	OP:90 OP:91	Permet d'utiliser 10 (0 à 9) touches préprogrammées. Permet d'utiliser 100 (00 à 99) touches préprogrammées.
0 Clean Filter Message (nettoyer le filtre)	OP:00 OP:01 OP:02 OP:03	Le four n'affiche pas Clean Filter Le four affiche Clean Filter tous les sept (7) jours Le four affiche Clean Filter tous les trente (30) jours Le four affiche Clean Filter tous les quatre-vingt dix (90) jours

Utilisation du sélecteur numérique

STYLE 1

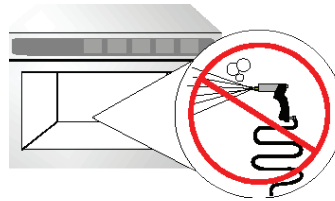
L'option avec sélecteur est disponible sur certains modèles seulement.

L'opération de commutation de ce four à micro-ondes peut produire des variations de tension au niveau de la ligne d'alimentation. Le fonctionnement de ce four dans des conditions d'alimentation de tension défavorables peut entraîner des effets indésirables. Cet appareil est conçu pour être branché à un système d'alimentation électrique d'impédance minimale Z_{max} de **0,2 ohm** au point d'interface de l'alimentation de l'utilisateur. L'utilisateur doit s'assurer que cet appareil est branché sur une source d'alimentation conforme aux exigences indiquées ci-dessus. Le cas échéant, l'utilisateur peut s'informer auprès de l'entreprise de production électrique pour connaître l'impédance du système au point d'interface.

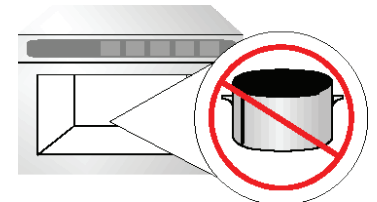


Dégagements du four par rapport au mur

- A— Pour les modèles d'Amérique du Nord (UL/CSA), prévoir au moins 5,1 cm (2 po) de dégagement au-dessus du four. Pour les modèles internationaux de 50 Hz, prévoir au moins 30 cm (12 po) de dégagement au-dessus du four. Une circulation d'air adéquate autour du four permet de refroidir les composants électriques. Si la circulation d'air est restreinte, le four risque de ne pas fonctionner adéquatement, et la durée de vie utile des composants électriques est alors réduite.
- B— Prévoir au moins 5,1 cm (2 po) de dégagement entre le mur et l'évacuation d'air à l'arrière du four.
- C— Prévoir au moins 5,1 cm (2 po) de dégagement sur les côtés du four.



NE PAS nettoyer avec un pulvérisateur à moteur



Pas de plats en métal

Alors... comment utiliser l'appareil ?

(sélecteur numérique)

Cuisson

- Ouvrir la porte du four, y placer la nourriture et refermer la porte.
- Faire tourner le bouton de minuterie dans le sens horaire jusqu'au temps sélectionné.
 - Le temps de cuisson peut être réglé jusqu'à 6 minutes.
 - Le four démarre et le compte à rebours commence.
- À la fin du temps de cuisson, l'alimentation en micro ondes s'arrête et le four émet un signal sonore.

Interruption du fonctionnement

Ouvrir la porte du four pour interrompre son fonctionnement ou tourner le bouton sélecteur dans le sens antihoraire jusqu'à « 0 ». Pour reprendre la cuisson du four à micro-ondes, fermer la porte du four.

Si le sélecteur a été réglé à « 0 », le temps doit être réinitialisé.

Changement de la durée de cuisson et annulation des erreurs

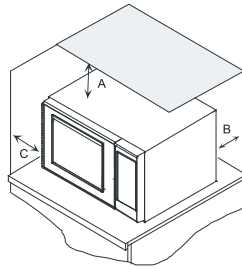
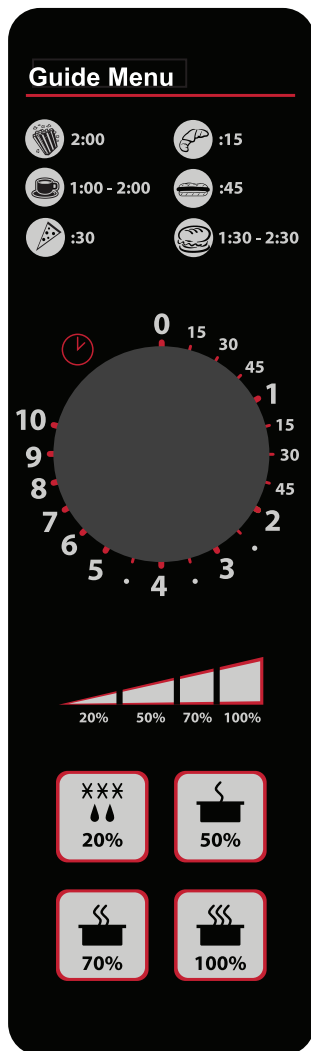
Le temps de cuisson peut être modifié à tout moment lorsque le four fonctionne. Tourner le bouton jusqu'au réglage désiré. Pour régler le sélecteur à « 0 », tourner le bouton dans le sens antihoraire, à « 0 ».



Utilisation du sélecteur numérique

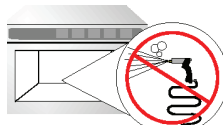
STYLE 2

L'option avec sélecteur est disponible sur certains modèles seulement.



Espaces entre le mur et le four

- le four**
- A—Pour les modèles de l'Amérique du Nord (UL/CSA), laissez un intervalle de 5,1 cm (2 po) autour de la partie supérieure du four. Pour les modèles internationaux (50 Hz), laissez un intervalle de 30 cm (12 po) autour de la partie supérieure du four. Le flux d'air approprié autour du four refroidit les composants électriques. Si le flux d'air est limité, le four risque de ne pas fonctionner correctement et la vie utile des composants électriques sera réduite.
- B—Laissez un intervalle de 5,1 cm (2 po) entre l'évacuation de l'air à l'arrière du four et mur.
- C—Laissez un intervalle de 5,1 cm (2 po) sur les côtés du four.



NE PAS pulvériser



Pas de poêle métallique

Comment dois-le l'utiliser ?

(Cadran électronique/mécanique)

Chauffage

- Ouvrez la porte du four, placez les aliments dans le four et fermez la porte du four.
- Sélectionnez le niveau de la puissance ou utilisez la valeur par défaut qui est 100%.
- Tournez le cadran de la minuterie dans le sens horaire pour sélectionner le temps souhaité.
 - Vous pouvez régler le temps de cuisson jusqu'à 10 minutes.
 - Le four se met en marche et le temps est affiché à rebours.
- Lorsque le délai imparti est écoulé, le microonde s'arrête et un signal est émis du four.

Interruption

Ouvrez la porte du four pour arrêter le four ou tournez le cadran de saisie du temps dans le sens anti-horaire sur 0.

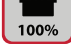
Pour remettre le microonde en marche, fermez la porte, sélectionnez le bouton du niveau e la puissance et tournez le bouton.

Changement de temps et annulation suite à des erreurs


Vous pouvez changer le temps de cuisson et le niveau de la puissance à n'importe quel moment pendant le fonctionnement du four. Appuyez sur le bouton du niveau de la puissance ou tournez le bouton aux réglage souhaité. Pour régler le temps de cuisson sur zéro, tournez le bouton dans le sens anti-horaire sur 0 ou ouvrez et fermez la porte du four.

Changement de l'option de la minuterie

La remise à zéro de la minuterie peut être effectuée à n'importe quel moment pour marquer une pause pendant la cuisson lorsque la porte est ouverte. Pour changer cette option, procédez selon l'étape ci-dessous.

- Avec la porte ouverte, appuyez sur le bouton 100% que vous maintenant enfoncé  pendant 5 secondes jusqu'à ce que vous entendiez un bip. Refermez la porte, le réglage de la minuterie change et le temps de cuisson et le niveau de la puissance sont suspendus lorsque la porte est ouverte.

On peut effectuer une pause pendant la cuisson et la puissance peut être réglée à n'importe quel moment pour une remise à zéro et une puissance à 100% lorsque la porte est ouverte. Pour changer cette option, procédez selon l'étape ci-dessous.

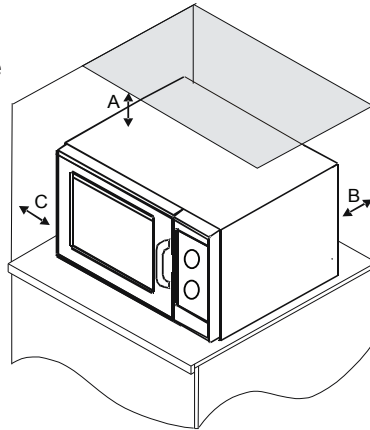
- Avec la porte ouverte, appuyez sur le bouton 20% que vous maintenant enfoncé  pendant 5 secondes jusqu'à ce que vous entendiez un bip. Refermez la porte, le réglage de la minuterie change pour une remise à zéro et le niveau de la puissance passe à 100% lorsque la porte est ouverte.

La permutation de ce four microonde peut entraîner des variations de la tension secteur. Le fonctionnement de ce four dans des conditions de tension défavorables peut avoir de mauvaises répercussions. Cet appareil doit être connecté à un système d'alimentation avec une impédance maximum permmissible du système Z_{max} de 0,2 Ohms au niveau de l'interface de l'alimentation de l'utilisateur. L'utilisateur doit s'assurer que cet appareil est connecté à un système d'alimentation qui satisfait aux conditions susmentionnées. Le cas échéant, l'utilisateur peut contacter le service public concernant l'impédance du système au niveau de l'interface.

STYLE 3

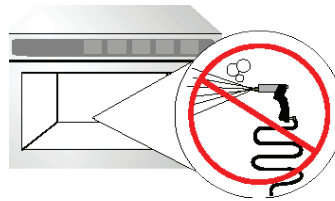
L'option avec sélecteur est disponible sur certains modèles seulement.

L'opération de commutation de ce four à micro-ondes peut produire des variations de tension au niveau de la ligne d'alimentation. Le fonctionnement de ce four dans des conditions d'alimentation de tension défavorables peut entraîner des effets indésirables. Cet appareil est conçu pour être branché à un système d'alimentation électrique d'impédance minimale Z_{max} de **0,2 ohm** au point d'interface de l'alimentation de l'utilisateur. L'utilisateur doit s'assurer que cet appareil est branché sur une source d'alimentation conforme aux exigences indiquées ci-dessus. Le cas échéant, l'utilisateur peut s'informer auprès de l'entreprise de production électrique pour connaître l'impédance du système au point d'interface.

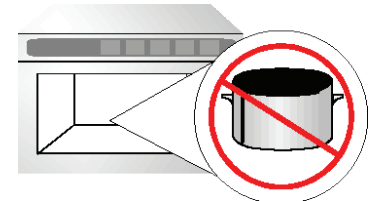


Dégagements du four par rapport au mur

- A— Pour les modèles d'Amérique du Nord (UL/CSA), prévoir au moins 5,1 cm (2 po) de dégagement au-dessus du four. Pour les modèles internationaux de 50 Hz, prévoir au moins 30 cm (12 po) au-dessus du four. Une circulation d'air adéquate autour du four permet de refroidir les composants électriques. Si la circulation d'air est restreinte, le four risque de ne pas fonctionner adéquatement, et la durée de vie utile des composants électriques est alors réduite.
- B— Prévoir au moins 5,1 cm (2 po) de dégagement entre le mur et l'évacuation d'air à l'arrière du four.
- C— Prévoir au moins 5,1 cm (2 po) de dégagement sur les côtés du four.



NE PAS nettoyer avec un pulvérisateur à moteur



Pas de plats en métal



Alors...comment utiliser l'appareil ? (sélecteur)

Cuisson

1. Ouvrir la porte du four, y placer la nourriture et refermer la porte.
2. Tourner le bouton du niveau de puissance à la valeur désirée.
 - Le niveau de puissance peut être réglé sur temps d'arrêt (15%), décongélation (30%), moyen (50%), moyen-élevé (70%) ou élevé (100%).
3. Tourner le bouton de minuterie dans le sens horaire jusqu'au temps sélectionné.
 - Le temps de cuisson peut être réglé jusqu'à 10 minutes.
 - Si le bouton du minuteur est réglé sur moins de 2 minutes, le tourner pour le régler à plus de 2 minutes puis revenir jusqu'au temps désiré.
4. Le four démarre et le compte à rebours commence.
5. À la fin du temps de cuisson, l'alimentation en micro-ondes s'arrête et le four émet un signal sonore.

Interruption du fonctionnement

Ouvrir la porte du four pour interrompre son fonctionnement ou tourner le bouton sélecteur dans le sens antihoraire jusqu'à « 0 ». Pour reprendre la cuisson fermer la porte du four.

Si le sélecteur a été réglé à « 0 », le temps doit être réinitialisé.

Changement de la durée de cuisson et de la puissance/annulation des erreurs

Le temps de cuisson et le niveau de puissance peuvent être modifiés en tout temps alors que le four fonctionne. Tourner le ou les boutons jusqu'au réglage désiré. Pour régler le sélecteur à zéro, tourner le bouton dans le sens antihoraire jusqu'à « 0 ».

Entretien et nettoyage

PIÈCE	RECOMMANDATION POUR L'ENTRETIEN ET LE NETTOYAGE
Intérieur, extérieur et porte	<p>Nettoyer le four à micro-ondes avec un détergent doux dans de l'eau tiède, en utilisant une éponge ou un chiffon doux. Essorer l'éponge ou le chiffon pour expulser l'excès d'eau avant d'essuyer l'équipement. Faire bouillir au besoin une tasse d'eau dans le four pour ramollir les saletés avant de nettoyer.</p> <p>Important :</p> <ul style="list-style-type: none">• Ne pas utiliser de nettoyants abrasifs ou qui contiennent de l'ammoniaque ou des agrumes. Ils pourraient endommager le fini.• Ne jamais verser de l'eau dans le fond du four à micro-ondes.• Ne jamais utiliser de systèmes de nettoyage à jet d'eau sous pression.
Évents d'évacuation d'air	<p>Vérifier tous les mois qu'il n'y ait aucune accumulation de résidus de cuisson le long des évents d'entrée et d'évacuation au fond et à l'arrière du four. Nettoyer les évents avec un chiffon humide pour assurer une circulation d'air adéquate. Essuyer à fond.</p>
Filtre d'admission d'air	<p>Le filtre permanent est situé sous la porte du four. Nettoyer le filtre d'admission d'air pour assurer un débit d'air adéquat. Nettoyer les évents avec un chiffon humide pour assurer une circulation d'air adéquate.</p> <p>Important :</p> <p>Pour éviter la surchauffe et des dommages au four, nettoyer régulièrement le filtre à air.</p>
Panneau de commande	<p>Ouvrir la porte du four pour désactiver le minuteur du four. Nettoyer avec un détergent doux dans de l'eau tiède, en utilisant une éponge ou un linge doux.</p>

Avant d'appeler le service à la clientèle

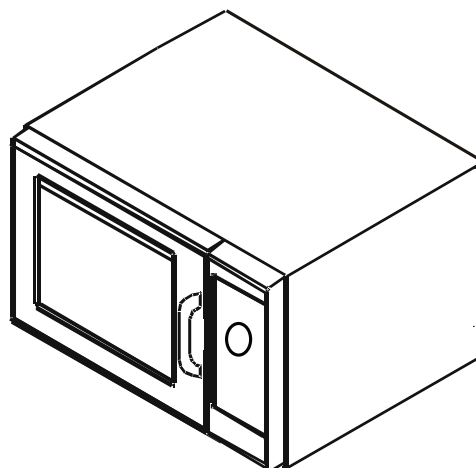
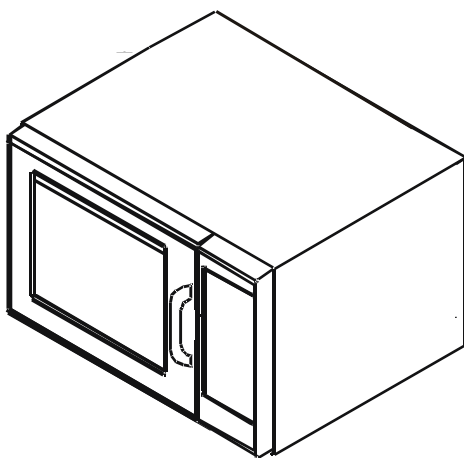
Problème	Cause possible
Le four ne fonctionne pas.	Vérifier que le four est branché sur un circuit adéquat. Vérifier que le four est branché sur un circuit mis à la terre et polarisé. (Contacter un électricien pour en avoir la confirmation) Vérifier le fusible ou le disjoncteur.
Le four fonctionne par intermittence.	Vérifier que le filtre à air et la zone d'évacuation ne sont pas obstrués.
Le four reste inactif lorsqu'une touche est sélectionnée.	S'assurer que le four est sous tension. Ouvrir et fermer la porte du four. Appuyer sur la touche à nouveau.
Le four ne fonctionne pas ou la lettre F s'affiche accompagnée d'un numéro.	La commande du four est équipée d'un système d'autodiagnostic. Le système d'autodiagnostic avertit d'une erreur ou d'un problème. Lorsque la commande électronique signale un problème, procéder comme suit : 1. Enregistrer le numéro affiché. 2. Débrancher le four, attendre 1 minute et le rebrancher. <ul style="list-style-type: none">• Débrancher l'alimentation électrique risque de supprimer le code de service. Si la défaillance persiste, communiquer avec le service à la clientèle ACP ComServ sans frais en composant le 1 866 426-2621 aux États-Unis ou au Canada.
Le four fonctionne mais ne réchauffe pas les aliments.	Placer une tasse d'eau dans le four. Chauffer pendant une minute à pleine puissance (100 %). Si la température n'augmente pas, le four ne fonctionne pas correctement. Communiquer avec un technicien agréé ACP ou communiquer sans frais avec le service à la clientèle ACPComServ en composant le 1 866 426-2621 aux États-Unis et au Canada.



AVERTISSEMENT

Afin d'éviter un choc électrique pouvant entraîner des blessures graves ou la mort, ne jamais enlever le boîtier extérieur. Seul un technicien agréé ACP doit enlever le boîtier extérieur.

Benutzerhandbuch



Gewerbliches Mikrowellengerät

Diese Anleitung zur späteren Bezugnahme aufbewahren.
Im Falle eines Besitzerwechsels muss dieses Handbuch
dem Gerät beigelegt werden.

Inhalt

Modellkennzeichnung	2
VORSICHTSMASSNAHMEN GEGEN MÖGLICHE ÜBERMÄSSIGE MIKROWELLENBESTRAHLUNG	3
WICHTIGE SICHERHEITSHINWEISE	3
Erdungsanleitung	5
Aufbau	5
Anzeige und Funktionen	6
Benutzung des Tastenfelds (bei Modellen mit elektronischer Bedienung)	8
Programmierung des Tastenfelds (bei Modellen mit elektronischer Bedienung)	9
Benutzerspezifische Einstellungen (bei Modellen mit elektronischer Bedienung)	10
Betrieb mit dem Digital-Drehknopf	11
Betrieb mit dem Digital-Drehknopf	12
Betrieb mit den Drehknöpfen	13
Pflege und Reinigung	14
Bevor Sie den Kundendienst anrufen	15

Modellidentifizierung

Wenn Sie sich mit ACP in Verbindung setzen, geben Sie bitte die Produktinformationen an. Diese befinden sich auf dem Typenschild auf der Rückseite des Geräts. Zeichnen Sie die folgenden Informationen auf:

Modellnummer: _____

Herstellungsnummer: _____

Seriennummer oder S/N-Nr.: _____

Kaufdatum: _____

Name und Adresse des Händlers: _____

Wenn Sie Fragen haben oder einen befugten ACP-Kundendienst ausfindig machen möchten, rufen Sie uns unter der Telefonnummer +1.319.368.8120 (USA) an.

Innerhalb der Garantiezeit erforderlicher Service muss von einem befugten ACP-Kundendienstunternehmen durchgeführt werden. ACP empfiehlt auch nach Ablauf der Garantie, dass Sie sich bei Servicebedarf an ein befugtes ACP-Kundendienstunternehmen wenden.

WICHTIGE SICHERHEITSHINWEISE



Dieses Symbol kennzeichnet SICHERHEITSHINWEISE



WARNUNG

Bei der Verwendung von elektrischen Geräten sind grundlegende Sicherheitsmaßnahmen zu befolgen, um die Gefahr von Verbrennungen, elektrischen Schlägen, Brand oder Körperverletzungen zu vermeiden.

1. Vor der Verwendung des Geräts sämtliche Anweisungen LESEN.
2. Die spezifischen Anweisungen auf dieser Seite unter „VORSICHTSMASSNAHMEN GEGEN MÖGLICHE ÜBERMÄSSIGE MIKROWELLENBESTRAHLUNG“ LESEN UND BEFOLGEN.
3. Dieses Gerät MUSS GEERDET sein. Nur an eine ordnungsgemäß GEERDETE Steckdose anschließen. Beachten Sie die „ERDUNGSHINWEISE“ auf Seite 5.
4. Dieses Gerät AUSSCHLIESSLICH gemäß den in diesem Handbuch enthaltenen Installationsanweisungen installieren bzw. aufstellen.
5. Einige Produkte, wie z. B. Eier und verschlossene Behälter (z. B. verschlossene Gläser), können explodieren und sollten NICHT in diesem Gerät ERWÄRMT werden.
6. Dieses Gerät AUSSCHLIESSLICH für den vorgesehenen Zweck, wie in diesem Handbuch beschrieben, verwenden. Keine Korrosionsmittel oder -gase in diesem Gerät verwenden. Dieser Gerätetyp wurde ausschließlich zum Erwärmen, Garen oder Trocknen von Nahrungsmitteln konzipiert. Er ist nicht für den industriellen Gebrauch oder Laboreinsatz geeignet.
7. Wie auch bei anderen Geräten dürfen KINDER dieses Gerät nur unter STRENGER AUFSICHT verwenden.
8. Beachten Sie die Hinweise zur Reinigung der Gerätetür auf Seite 13 dieses Handbuchs.
9. KEINE Babyflaschen im Gerät erwärmen.
10. Gläser mit Babynahrung sollten vor dem Erwärmen geöffnet und der Inhalt vor dem Verzehr gerührt oder geschüttelt werden, um Verbrennungen zu vermeiden.
11. Dieses Gerät NICHT betreiben, wenn ein Kabel oder Stecker beschädigt ist, es nicht ordnungsgemäß funktioniert oder beschädigt oder fallen gelassen wurde.
12. Dieses Gerät, einschließlich Netzkabel, darf NUR von qualifiziertem Kundendienstpersonal gewartet werden. Für die Wartung sind Spezialwerkzeuge erforderlich. Zur Überprüfung, Reparatur oder Einstellung den nächstgelegenen befugten Kundendienst kontaktieren.
13. Filter und Öffnungen an diesem Gerät NICHT abdecken oder blockieren.
14. Dieses Gerät NICHT im Freien lagern. Dieses Gerät NICHT in der Nähe von Wasser (z. B. in der Nähe eines Spülbeckens, in einem feuchten Keller, in der Nähe eines Schwimmbekens oder Ähnlichem) verwenden.
15. Das Kabel oder den Stecker NICHT in Wasser tauchen.
16. Das Kabel von ERWÄRMTE Flächen FERNHALTEN.
17. Das Kabel NICHT über eine Tischkante oder Theke herunterhängen lassen.
18. Nur zur gewerblichen Nutzung.

VORSICHTSMASSNAHMEN GEGEN MÖGLICHE ÜBERMÄSSIGE MIKROWELLENBESTRAHLUNG

- A. **NICHT** versuchen, dieses Gerät bei offener Tür zu betreiben, da sonst eine schädliche Bestrahlung durch Mikrowellen möglich ist. Die Sicherheitsverriegelungen dürfen auf keinen Fall außer Kraft gesetzt oder verändert werden.
- B. **KEINE** Gegenstände zwischen Gerätevorderfläche und Tür platzieren und verhindern, dass sich Schmutz oder Reinigungsmittelrückstände auf den Dichtungsflächen ansammeln.
- C. Das Gerät **NICHT** betreiben, wenn es beschädigt ist. Es ist besonders darauf zu achten, dass sich die Gerätetür ordnungsgemäß schließt und dass folgende Komponenten keine Schäden aufweisen:
 1. Tür (verbogen)
 2. Scharniere und Riegel (defekt oder locker)
 3. Türdichtungen und Dichtungsoberflächen.
- D. Das Gerät sollte ausschließlich von qualifiziertem Kundendienstpersonal eingestellt bzw. repariert werden.

DIESE HINWEISE AUFBEWAHREN

WICHTIGE SICHERHEITSHINWEISE

WARNUNG

Folgendes beachten, um die Gefahr eines Brandes im Gerät zu vermeiden:

- a. Speisen NICHT zu lange kochen. Das Gerät beaufsichtigen, wenn Papier, Plastik oder andere entzündbare Materialien zur Unterstützung des Garvorgangs in das Gerät gelegt wurden.
- b. Drahtverschlüsse von Papier- oder Kunststofftüten entfernen, bevor die Tüte in das Gerät gelegt wird.
- c. Falls sich ein Material im Gerät entzündet haben sollte, die Gerätetür GESCHLOSSEN lassen, das Gerät ausschalten und das Netzkabel abziehen bzw. den Strom an der Sicherung bzw. am Leitungsschutzschalter ausschalten.
- d. Den Innenraum des Geräts NICHT als Aufbewahrungsplatz verwenden. KEINE Papierprodukte, Küchenutensilien oder Speisen im Gerät lassen, wenn es nicht in Betrieb ist.

WARNUNG

Flüssigkeiten, wie beispielsweise Wasser, Kaffee oder Tee, können aufgrund der Oberflächenspannung von Flüssigkeiten über ihren Siedepunkt hinaus erhitzt werden, ohne dass dies erkennbar ist. Nicht immer zeigt sich ein Brodeln oder Aufwallen der Flüssigkeit, wenn das Gefäß aus dem Mikrowellenofen herausgenommen wird. **DIES KANN DAZU FÜHREN, DASS SEHR HEISSE FLÜSSIGKEITEN PLÖTZLICH ÜBERKOCHEN, WENN EIN LÖFFEL ODER ANDERES KÜCHENUTENSIL IN DIE FLÜSSIGKEIT GETAUCHT WIRD.** Um die Gefahr von Körperverletzungen zu vermeiden:

- i) die Flüssigkeit nicht überhitzen.
- ii) die Flüssigkeit vor und während der Erwärmung (nach der halben Erwärmungszeit) umrühren.
- iii) keine zylindrischen Gefäße mit engem Hals verwenden.
- iv) das Gefäß nach der Erwärmung für kurze Zeit im Mikrowellenofen stehen lassen, bevor es herausgenommen wird.
- v) äußerste Vorsicht walten lassen, wenn ein Löffel oder anderes Küchenutensil in den Behälter eingetaucht wird.

VORSICHT

Zur Vermeidung von Körperverletzungen oder Sachschäden Folgendes beachten:

1. Nicht im Gerät frittieren. Das Fett könnte sich überhitzen und gefährlich zu handhaben sein.
2. Keine Eier in der Schale oder mit intaktem Eigelb im Mikrowellenofen kochen oder aufwärmen. Dies kann zur Druckbildung und zum Zerbersten führen. Eigelb vor dem Kochen mit einer Gabel oder einem Messer einstechen.
3. Beim Garen von Kartoffeln, Tomaten oder ähnlichen Nahrungsmitteln im Mikrowellenofen die Schale bzw. Haut einstechen. Wenn die Schale bzw. Haut eingestochen wird, kann der Dampf gleichmäßig entweichen.
4. Das Gerät nicht ohne Kochgut betreiben.
5. Nur Popcorn in Verpackungen zubereiten, die für die Verwendung in Mikrowellenöfen vorgesehen und entsprechend ausgewiesen sind. **Die Zubereitungszeit ist von der Wattleistung des Geräts abhängig.** Den Erwärmungsvorgang nicht fortsetzen, wenn alle Körner gesprungen sind. Das Popcorn verbrennt sonst. Das Gerät nicht unbeaufsichtigt lassen.
6. Keine normalen Küchenthermometer im Gerät verwenden. Die meisten Küchenthermometer enthalten Quecksilber und können einen elektrischen Lichtbogen, eine Fehlfunktion oder eine Beschädigung des Geräts verursachen.
7. Keine Metallutensilien im Gerät verwenden.
8. Niemals Papier, Plastik oder andere entzündbare Materialien verwenden, die nicht zum Kochen vorgesehen sind.
9. Werden beim Kochen Papier, Plastik oder andere entzündbare Materialien eingesetzt, die Empfehlung des Herstellers zur Verwendung des Produkts befolgen.
10. Keine Papiertücher verwenden, die Nylon oder andere Synthetikfasern enthalten. Erwärmte Synthetikfasern können schmelzen und dazu führen, dass sich das Papier entzündet.
11. Keine dicht verschlossenen Behälter oder Plastikbeutel im Gerät erwärmen. Speisen oder Flüssigkeiten können sich schnell ausdehnen und den Behälter oder Beutel platzen lassen. Behälter oder Beutel vor der Erwärmung einstechen oder öffnen.
12. Um eine Herzschrittmacherstörung zu vermeiden, den Arzt oder Hersteller des Herzschrittmachers zu den Auswirkungen von Mikrowellenenergie auf Herzschrittmacher zu Rate ziehen.
13. Das Gerät MUSS wenigstens einmal im Jahr von einem befugten Kundendienst geprüft werden. Alle Inspektionen und Reparaturen zur späteren Bezugnahme aufzeichnen.
14. Das Gerät regelmäßig reinigen und Speisereste entfernen.
15. Das Gerät sauber halten, um eine Korrosion der Oberflächen zu vermeiden. Mangelhafte Sauberkeit kann die Nutzungsdauer des Geräts beeinträchtigen und möglicherweise zu gefährlichen Situationen führen.

DIESE HINWEISE AUFBEWAHREN

Auspacken des Geräts

- Das Gerät auf Schäden, wie z. B. Dellen in der Tür oder im Innenraum des Geräts, untersuchen.
- Dem jeweiligen Händler sofort eventuelle Dellen oder Schäden melden. **Nicht versuchen, ein beschädigtes Gerät zu betreiben.**
- Sämtliches Material aus dem Gerät entfernen.
- Wurde das Gerät an einem sehr kalten Ort gelagert, vor dem Anschließen an das Netz einige Stunden warten.

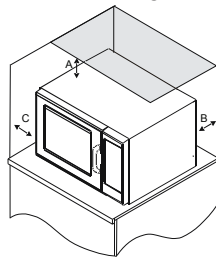
Funktstörungen

Der Mikrowellenbetrieb kann eine Störung von Radio- und Fernsehgeräten oder anderen Mikrowellengeräten verursachen. Folgende Punkte beachten, um Störungen zu reduzieren bzw. vollständig zu beseitigen:

- Die Tür und Dichtungsflächen des Geräts gemäß den Anweisungen im Abschnitt *Pflege und Reinigung* reinigen.
- Radio-, Fernsehgeräte usw. so weit wie möglich vom Gerät entfernt aufstellen.
- Eine ordnungsgemäß installierte Antenne an Radio-, Fernsehgeräten usw. verwenden, um ein stärkeres Empfangssignal zu erhalten.

Aufstellen des Geräts

- Das Gerät nicht neben oder über einer Wärmequelle, z. B. Pizzaofen oder Frittiergerät, installieren. Andernfalls kann die Funktion des Geräts bzw. die Lebensdauer der elektrischen Bauteile beeinträchtigt werden.
- Den Gerätefilter nicht abdecken oder blockieren. Den Zugang zu Reinigungszwecken ermöglichen.
- Das Gerät auf einer ebenen Fläche auf der Arbeitsplatte aufstellen.
- Den Warnaufkleber in der Nähe des Geräts an einer gut sichtbaren Stelle anbringen.
- Die Steckdose für den Stecker des aufgestellten Geräts sollte leicht zugänglich sein.



A — Bei Modellen für den nordamerikanischen Markt (UL/CSA) an der Oberseite des Geräts mindestens 5,1 cm (2") Abstand einhalten. Bei internationalen Modellen (50 Hz) an der Oberseite des Geräts mindestens 30 cm (12") Abstand einhalten, um eine ordnungsgemäße Luftzirkulation um das Gerät zur Kühlung der elektrischen Komponenten zu gewährleisten. Andernfalls kann die Funktion des Geräts bzw. die Lebensdauer der elektrischen Bauteile beeinträchtigt werden.

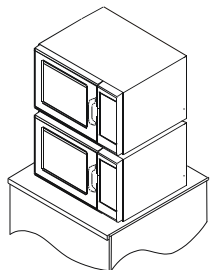
B — An der Rückseite des Geräts mindestens 5,1 cm (2") Abstand zwischen dem Luftaustritt und der Rückwand einhalten.

C — An den Seiten des Geräts mindestens 5,1 cm (2") Abstand einhalten.

Einbauabstände des Geräts

Übereinanderstellen von Geräten

- Geräte können mithilfe eines Befestigungsbügels, der sich auf der Scharnierseite rückseitig am Gerät befindet, übereinander gestellt werden.
- Den Befestigungsbügel vom Gerät abnehmen und eine Eckschraube am Befestigungsriegel an der Rückseite des Geräts herausdrehen. Dann den Befestigungsbügel an der Rückseite beider Geräte mit Schrauben anbringen und die Geräte so miteinander verbinden.



⚠️ WARNUNG

Dieses Gerät muss geerdet sein, um die Gefahr eines elektrischen Schlags oder Todesgefahr zu verhindern.

⚠️ WARNUNG

Um die Gefahr eines elektrischen Schlags oder Todesgefahr zu vermeiden, darf der Netzstecker nicht geändert werden.

Erdungshinweise

Dieses Gerät MUSS geerdet sein. Im Fall eines elektrischen Kurzschlusses wird bei einem ordnungsgemäß geerdeten Gerät die Gefahr eines elektrischen Schlags verringert, da der Strom durch den Erdungsdraht abgeleitet wird. Das Netzkabel dieses Geräts enthält einen Erdungsleiter und -stecker. Der Stecker muss an eine ordnungsgemäß installierte und geerdete Steckdose angeschlossen werden.

Wenn die Erdungsvorschriften nicht vollständig verstanden werden oder wenn Zweifel bestehen, ob das Gerät ordnungsgemäß geerdet ist, einen qualifizierten Elektriker oder Kundendiensttechniker zu Rate ziehen.

Kein Verlängerungskabel verwenden.

Eine dreipolige Steckdose von einem qualifizierten Elektriker installieren lassen, wenn das Netzkabel des Geräts zu kurz ist. Dieses Gerät sollte an einen separaten Stromkreis mit einer wie in den Produktdaten angegebenen Spannung angeschlossen werden (unter acpsolutions.com erhältlich). Ist der Mikrowellenofen an einen Stromkreis mit anderen Geräten angeschlossen, können längere Garzeiten erforderlich sein und Sicherungen durchbrennen.

Externe äquipotentiale

Erdungsklemme (nur Exportgeräte)

Das Gerät verfügt über eine sekundäre Erdungsklemme. Diese Erdungsklemme bietet zusätzlich zum Erdungskontakt am Stecker einen externen Erdungsanschluss. Sie befindet sich außen an der Rückseite des Geräts und ist mit dem nachfolgenden Symbol gekennzeichnet:



Anzeige und Funktionen (einige Modelle)



START-Taste

Mit der START-Taste wird ein Garvorgang mit manueller Zeiteingabe begonnen. Diese Taste wird ebenfalls zur Speicherung von Programmänderungen und von Änderungen bei den benutzerspezifischen Einstellungen verwendet.



STOP/RESET-Taste

Mit der STOP/RESET-Taste wird ein laufender Garvorgang beendet, die verbleibende Zeit gelöscht und auch ein Programmierzyklus bzw. ein Vorgang zur benutzerspezifischen Einstellung beendet. Wenn die STOP/RESET-Taste zum Abbruch von Programmänderungen und von Änderungen bei den benutzerspezifischen Einstellungen verwendet wird, so werden die eingegebenen Änderungen nicht gespeichert.



Ein-Tasten-Programmierung

(gezeigtes Beispiel: Taste 1)

Mit dieser Funktion kann jede einzelne Taste für einen bestimmten Garvorgang/Zweck programmiert werden. Die Taste kann einfach auf die gewünschte Zeit und Leistungsstufe programmiert werden. Die gewünschte Taste einmal drücken, um den programmierten Garvorgang zu starten.



Zwei-Tasten-Programmierung

(bestimmte Modelle)

Mit dieser Funktion können bis zu 100 programmierte Garvorgänge eingegeben werden. Jeder Eingabe wird eine zweistellige Zahl zugewiesen, z. B. 11 wie abgebildet. Bei der Zwei-Tasten-Programmierung müssen demnach zwei Tasten zum Starten eines Garvorgangs gedrückt werden.



Manuelle Zeiteingabe

Neben den programmierbaren Tasten kann bei diesem Mikrowellenofen die Garzeit auch mit der Taste TIME ENTRY (ZEITEINGABE) angegeben werden. Die Verwendung der manuellen Zeiteingabe hat keinen Einfluss auf die programmierten Tasten.

X 2

Taste X2

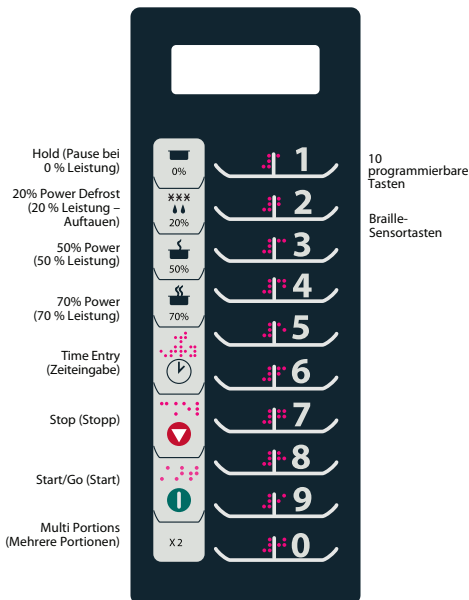
Die Taste X2 erhöht die voreingestellte Garzeit um einen Prozentualwert der ursprünglichen Garzeit (Leistungsfaktor). Dieser Prozentualwert kann vom Benutzer eingegeben und für einzelne Garvorgänge geändert werden. Diese Funktion ist beim Kochen von mehrfachen Portionen sehr nützlich. Die Taste X2 kann sowohl bei der Ein-Tasten- als auch Zwei-Tasten-Programmierung verwendet werden. Wie der Leistungsfaktor geändert wird, ist im Abschnitt *Programmierfunktionen* beschrieben.

Kochen in Stufen

P:-- Beim Kochen in Stufen werden in einem Garvorgang verschiedene Stufen der Mikrowellenleistung durchlaufen. Der Benutzer kann bis zu vier Änderungen der Leistungsstufe und die jeweilige Garzeit je Leistungsstufe programmieren. Jede Kombination von Leistungsstufe und Garzeit stellt eine Stufe dar. Es können bis zu vier Stufen programmiert werden.

Benutzerspezifische Einstellungen

QP:-- An diesem Mikrowellenofen können benutzerspezifische Einstellungen vorgenommen werden. Die Einstellungen für die Lautstärke des Tonsignals, für die maximale Garzeit und für die Anzahl der programmierbaren Tasten können geändert werden. Die Änderung dieser Einstellungen ist im Abschnitt *Benutzerspezifische Einstellungen* dieses Handbuchs beschrieben.



Der Schaltvorgang dieses Mikrowellengeräts kann auf der Speiseleitung Spannungsschwankungen verursachen. Unerwünschte Versorgungsspannungsbedingungen können den Betrieb dieses Geräts beeinträchtigen. Dieses Gerät ist für den Anschluss an ein Stromversorgungsnetz mit einer maximal zulässigen Systemimpedanz (Z_{max}) von **0.10 Ohm** am Anschlusspunkt der Stromversorgung des Benutzers vorgesehen. Der Benutzer muss sicherstellen, dass dieses Gerät nur an ein Stromversorgungsnetz angeschlossen wird, das diese Anforderung erfüllt. Hierfür muss der Benutzer ggf. das örtliche Stromversorgungsunternehmen bzgl. der Netzimpedanz am Anschlusspunkt konsultieren.

Anzeige und Funktionen (einige Modelle)

Garzeitanzeige

ES WIRD ANGEZEIGT	BESCHREIBUNG
READY	READY (BEREIT) wird eingeblendet, wenn das Gerät für die Programmierung bereit ist.
00:00	Zeigt die Garzeit an. Wurde stufenweises Garen programmiert, wird die Gesamtlaufzeit angezeigt.
HOLD 0% DEFR 20% MED 50% MED HI 70%	Diese Einstellungen zeigen die aktuelle Leistungsstufe der Mikrowelle an. Wenn keine Anzeige eingeblendet wird, wird die Mikrowelle bei voller Leistung (100 %) betrieben.
POWER	POWER (LEISTUNG) wird angezeigt, wenn das Gerät während eines Garvorgangs Mikrowellenenergie erzeugt.



Anzeige

Es ist möglich, dass einige Elemente auf der Anzeige zwar sichtbar, jedoch je nach Modell nicht verfügbar sind.

Anzeige beim Programmieren

ES WIRD ANGEZEIGT	BESCHREIBUNG
P:0	Wird angezeigt, wenn sich das Gerät im Programmiermodus nur für den Ein-Tasten-Speicher befindet.
P:	Wird angezeigt, wenn sich das Gerät im Programmiermodus für den Zwei-Tasten-Speicher befindet.
OP: --	Wird angezeigt, wenn der Benutzereinstellungsmodus des Geräts aktiv ist. Benutzeroptionen können so eingestellt oder festgelegt werden.
CF:	Wird mit einem numerischen Leistungsfaktor angezeigt, wenn die Taste X2 gedrückt wird.
P:-- ¹	Wird kurz beim Programmieren einer bestimmten Kochstufe angezeigt. Die Stufenzahl (1 bis 4) zeigt die Kochstufe an, die gerade programmiert wird.



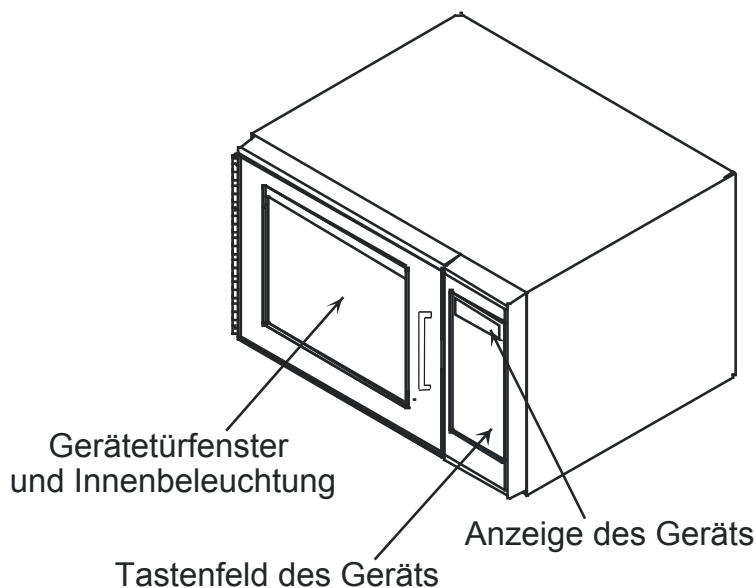
Ready (Bereit)

Ready (Bereit) leuchtet auf, wenn das Gerät für die Programmierung bereit ist.



Garzeitanzeige

33:33 gibt die Gesamtgarzeit an. Wenn mehr als eine Kochstufe programmiert wurde, wird die Gesamtgarzeit für alle Stufen angezeigt. COOK leuchtet auf, wenn das Gerät in Betrieb ist. DEFROST 20% (AUFTAUEN 20%), MEDIUM 50% (MITTEL 50%) oder MED-HI 70% (MITTELSTARK 70%) leuchtet auf, um die Leistungsstufe der Mikrowelle anzuzeigen. Bei HOLD 0% (PAUSE BEI 0% LEISTUNG) leuchtet COOK nicht auf. Wenn die Leistungsstufe des Geräts auf 0% eingestellt ist, erfolgt während der programmierten Zeit keine Erwärmung. Wenn keine Leistungsstufe aufleuchtet, arbeitet das Gerät mit 100% Leistung.



Benutzung des Tastenfelds (Modelle mit elektronischer Bedienung)

Unterbrechen des Betriebs

Der Betrieb kann durch Öffnen der Tür oder durch Drücken der STOP/RESET-Taste unterbrochen werden. Auf der Anzeige wird weiterhin die verbleibende Garzeit angezeigt. Zum Wiederaufnehmen des Betriebs die Tür schließen und START drücken.

X 2 Taste X2

Zur Verlängerung der Garzeit um einen bestimmten Leistungsfaktor, wenn mehrere Portionen gekocht werden sollen. Der Leistungsfaktor ist ein Prozentualwert der ursprünglichen Garzeit (von 10 bis 100 %).

- Die Gerätetür öffnen und die Speisen in das Gerät stellen. Die Tür schließen.
 - READY** (BEREIT) leuchtet auf. Gebläse und Beleuchtung werden eingeschaltet.
- Die Taste X2 drücken.
 - Die hinzugefügte Zeit ist ein Prozentualwert der ursprünglich vorprogrammierten Garzeit.
 - Der Prozentualwert kann geändert werden. Siehe den Abschnitt *Programmierfunktionen* in diesem Handbuch.
- Die gewünschte vorprogrammierte Taste oder Tastensequenz drücken.
- Das Gerät beginnt den Garvorgang. Die angezeigte Garzeit ist die Summe aus der ursprünglichen Garzeit und der hinzugefügten X2-Garzeit.

Manuelle Zeiteingabe

Kochen mit einer bestimmten eingegebenen Zeit und Leistungsstufe.

- Die Gerätetür öffnen und die Speisen in das Gerät stellen. Die Tür schließen.
 - READY** (BEREIT) leuchtet auf. Gebläse und Beleuchtung werden eingeschaltet.
- Die Taste TIME ENTRY (ZEITEINGABE) drücken.
 - READY** (BEREIT) und 0000 leuchten auf.
 - Falls die Taste nicht funktioniert, die Gerätetür öffnen, wieder schließen und den Vorgang wiederholen.
- Die Garzeit mit Hilfe der Zifferntasten eingeben.
- Zum Ändern der Leistungsstufe eine der Leistungstasten drücken.
 - Auf dem Display erscheint **POWER LEVEL** (LEISTUNGSSTUFE) und die entsprechende Einstellung.
 - 00 bedeutet 0 % Mikrowellenleistung, 20 bedeutet 20 %, 50 bedeutet 50 % und 70 bedeutet 70 %. Wenn bei der Anzeige von **POWER LEVEL** (LEISTUNGSSTUFE) keine Zahl aufleuchtet, arbeitet das Gerät auf maximaler Leistungsstufe.
- Wenn Kochen in Stufen gewünscht ist, die Taste TIME ENTRY (ZEITEINGABE) drücken und die Schritte 3 bis 4 wiederholen.
 - Die Anzeige wechselt zu Einschaltdauer und Leistungsstufe für die nächste Stufe.
- Einschaltdauer und Leistungsstufe entsprechend der Beschreibung in Schritt 3 und 4 oben eingeben.
 - Zum Hinzufügen einer weiteren Kochstufe die Taste TIME ENTRY (ZEITEINGABE) erneut drücken.
 - Bis zu vier verschiedene Stufen können so einprogrammiert werden.
- Die START-Taste drücken.
 - Das Gerät schaltet sich ein und der Zeitablauf beginnt.
 - Die Felder **POWER** (LEISTUNG), **COOK LEVEL** (KOCHSTUFE) und die Garzeit werden angezeigt.
- Am Ende des Garvorgangs ertönt ein Signal und das Gerät schaltet sich ab.



Programmierte Tasten

Zum Kochen von Speisen mit vorprogrammierten Garvorgängen.

- Die Gerätetür öffnen und die Speisen in das Gerät stellen. Die Tür schließen.
 - READY** (BEREIT) leuchtet auf. Gebläse und Beleuchtung werden eingeschaltet.
- Die gewünschte Taste drücken.
 - Wurde Ein-Tasten-Programmierung verwendet, die entsprechende Taste einmal drücken.
 - Wurde Zwei-Tasten-Programmierung verwendet, die zwei Tasten drücken, um den gewünschten Garvorgang aufzurufen.
 - Das Ändern von Ein-Tasten- und Zwei-Tasten-Eingabeoptionen ist im Abschnitt *Benutzerspezifische Einstellungen* in diesem Handbuch beschrieben.
- Das Gerät beginnt den Betrieb.
 - Die Felder **POWER** (LEISTUNG), Leistungsstufe und die Gesamtgarzeit werden angezeigt. Wenn keine Leistungsstufe aufleuchtet, arbeitet das Gerät mit maximaler Leistung.
 - Um die Garzeit zu verlängern, die vorprogrammierte Taste erneut drücken, und der Garvorgang beginnt von vorn.
- Am Ende des Garvorgangs ertönt ein Signal und das Gerät schaltet sich ab.



Werkseinstellungen

Taste	Zeit	Taste	Zeit
1	10 s	6	1:30 min
2	20 s	7	2 min
3	30 s	8	3 min
4	45 s	9	4 min
5	1 min	0	5 min

Programmierfunktionen (Modelle mit elektronischer Bedienung)

Programmierungstasten

Das Gerät wurde vom Hersteller auf Ein-Tasten-Programmierung voreingestellt. Um die werkseitige Einstellung des Geräts so zu ändern, dass eine Zwei-Tasten-Programmierung möglich ist, siehe den Abschnitt *Benutzerspezifische Einstellungen*. Der Wert der Garzeit oder die Leistungsstufe einer vorprogrammierten Taste lassen sich wie folgt ändern:

- Die Gerätetür öffnen.
 - READY** (BEREIT) leuchtet auf.
 - Wenn vor Abschluss der Programmierung die Tür geschlossen oder die Taste STOP gedrückt wird, werden die Änderungen verworfen und der Programmiermodus wird verlassen.
- Die Zifferntaste 1 ca. 5 Sekunden lang drücken.
 - Dadurch wird der Programmiermodus aufgerufen.
 - Das Gerät gibt einen Signalton aus und PROGRAMM (PROGRAMM) wird angezeigt. Das Gerät befindet sich im Programmiermodus.
- Die umzuprogrammierende Taste drücken.
 - Bei Zwei-Tasten-Programmierung entsprechend zwei Tasten drücken.
 - Die Leistungsstufe und die Garzeit leuchten.
 - Wenn keine Leistungsstufe aufleuchtet, ist das Gerät auf maximale Leistung eingestellt.
- Die Garzeit über die Zifferntasten eingeben.
- Zum Ändern der Leistungsstufe eine der Leistungstasten drücken.
- Die Taste START drücken, um neue Programmierungsänderungen der Taste zuzuordnen.
 - PROGRAMM leuchtet auf.
 - Wenn die START-Taste nicht gedrückt wird, werden die Änderungen nicht gespeichert.
- Die STOP/RESET-Taste drücken oder die Gerätetür schließen, um den Programmiermodus zu verlassen.



? Auf der Anzeige wird PROGRAMM eingeblendet

Wenn das Gerät auf Ein-Tasten- oder Zwei-Tasten-Programmierung eingestellt wurde, erscheint bei der Programmierung der Tasten für Garvorgänge mit ein- oder zweistelligen Zahlen PROGRAMM auf der Anzeige. Um die Standardeinstellung des Geräts auf die Ein-Tasten- bzw. Zwei-Tasten-Programmierung zu ändern, siehe den Abschnitt *Benutzerspezifische Einstellungen*.

⚠ Fehler rückgängig machen

Wenn das Gerät nicht in Betrieb ist, wird durch Drücken der STOP/RESET-Taste die Anzeige gelöscht. Wenn das Gerät in Betrieb ist, die Taste STOP/RESET einmal drücken, um es abzuschalten, und dann die Taste erneut drücken, um die Anzeige zu löschen. Wenn die Gerätetür geöffnet und die Garzeit auf der Anzeige angezeigt wird, die Tür schließen und die Taste STOP/RESET zum Löschen der Anzeige drücken.

X2 Programmierung von X2

Mit dieser Funktion kann einem Garvorgang ein voreingestellter Prozentwert der ursprünglichen Einschaltdauer, Leistungsfaktor genannt, hinzugefügt werden.

Der Leistungsfaktor kann wie folgt geändert werden:

- Die Gerätetür öffnen.
- Die Zifferntaste 1 ca. 5 Sekunden lang drücken.
- Die umzuprogrammierende Taste drücken.
- Die Taste X2 drücken.
- Eine Zifferntaste drücken, um den Leistungsfaktor zu ändern.
 - Der Leistungsfaktor kann zwischen 10 % und 100 % eingestellt werden.
 - Die Standardeinstellung ist 80 %.
 - Bei Auswahl der Zifferntaste 5 wird der Leistungsfaktor z. B. auf 50 % eingestellt.
 - Bei Auswahl der Zifferntaste 3 wird der Leistungsfaktor z. B. auf 30 % eingestellt.
- Die Taste START drücken, um die Änderungen zu speichern.

Programmierung von mehreren Kochstufen

Das Kochen in Stufen erlaubt eine Abfolge von mehreren verschiedenen Garvorgängen ohne Unterbrechung. Auf eine Taste können bis zu vier verschiedene Garvorgänge programmiert werden. Kochen in Stufen:

- Die oben aufgeführten Schritte 1 bis 5 befolgen.
- Die Taste TIME ENTRY (ZEITEINGABE) drücken.
 - Auf der Anzeige erscheint kurz die Nummer der programmierten Taste und in der oberen rechten Ecke die Nummer der Kochstufe.
 - Die Anzeige wechselt zu Einschaltdauer und Leistungsstufe für die nächste Stufe.
- Einschaltdauer und Leistungsstufe entsprechend der Beschreibung in Schritt 4 und 5 oben eingeben.
 - Zum Eingeben einer anderen Kochstufe für diese Taste die Taste TIME ENTRY (ZEITEINGABE) erneut drücken.
 - Bis zu vier verschiedene Stufen können so einprogrammiert werden.
- Die Taste START drücken, um neue Programmierungsänderungen der Taste zuzuordnen.
- Die STOP/RESET-Taste drücken oder die Gerätetür schließen, um den Programmiermodus zu verlassen.



Benutzerspezifische Einstellungen (Modelle mit elektronischer Bedienung)

Soll eine ursprüngliche Einstellung wiederhergestellt werden?

Die werkseitigen Einstellungen sind fett gedruckt. Wenn die werkseitigen Einstellungen des Geräts wiederhergestellt werden sollen, brauchen lediglich die fett gedruckten Einstellungen ausgewählt zu werden.

? Wurden die vorgenommenen Änderungen nicht gespeichert?

Um Änderungen zu speichern, ist es notwendig, dass nach der neuen Einstellung die START-Taste gedrückt wird. Die Änderungen werden durch Schließen der Tür oder durch Drücken der STOP/RESET-Taste nicht gespeichert.

Änderung der benutzerspezifischen Einstellungen

Optionen wie ein- oder zweistellige Tastenprogrammierung, Signalton-Lautstärke und maximale Einschaltdauer können individuell eingestellt werden. Die Einstellungen können wie folgt geändert werden:

- Die Gerätetür öffnen.
 - Wenn vor Abschluss der Programmierung die Tür geschlossen oder die Taste STOP/RESET gedrückt wird, werden die Änderungen verworfen und der Programmiermodus wird verlassen.
- Die Zifferntaste 2 ca. 5 Sekunden lang drücken.
 - Dadurch wird der Einstellungsmodus aufgerufen.
 - Ein akustisches Signal ertönt und auf dem Display erscheint „OP: --“. Das Gerät befindet sich im Programmiermodus.
- Die der zu ändernden Einstellung zugeordnete Zifferntaste drücken.
 - Die einzelnen Einstellungen sind in der folgenden Tabelle aufgeführt.
 - Die aktuelle Einstellung wird angezeigt.
- Die Zifferntaste erneut drücken, um die Einstellung zu ändern.
 - Die Einstellung wird mit jedem Tastendruck geändert.
 - Den angezeigten Nummerncode entsprechend der gewünschten Einstellung wählen.
- Die Taste START drücken, um die Änderungen zu speichern.
 - OP: -- wird angezeigt.
 - Zum Ändern weiterer Einstellungen die Schritte 3 und 4 wiederholen.
 - Die geänderten Einstellungen erscheinen, nachdem die Tür geschlossen oder die Taste STOP/RESET gedrückt wurde.

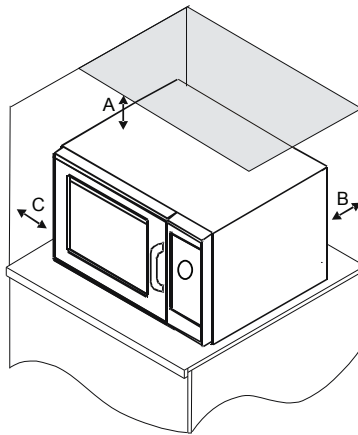
Zifferntasten	Anzeige	Optionen (Einstellungen des Herstellers fett gedruckt)
1 Ton am Zyklusende	OP:10 OP:11 OP:12	3-Sekunden-Dauerton. Dauerton bis zum Öffnen der Tür. 5-Ton-Zyklen bis zum Öffnen der Tür.
2 Tastenton – Lautstärke	OP:20 OP:21 OP:22 OP:23	Signalton deaktivieren. Niedrige Lautstärke einstellen. Mittlere Lautstärke einstellen. Hohe Lautstärke einstellen.
3 Tastenton	OP:30 OP:31	Signalton bei Druck einer Taste deaktivieren. Signalton bei Druck einer Taste aktivieren.
4 Aktive Anzeige	OP:40 OP:41 OP:42 OP:43	Tastenfeld 15 Sekunden nach Öffnen der Gerätetür deaktivieren. Tastenfeld 30 Sekunden nach Öffnen der Gerätetür deaktivieren. Tastenfeld 1 Minute nach Öffnen der Gerätetür deaktivieren. Tastenfeld 2 Minuten nach Öffnen der Gerätetür deaktivieren.
5 Spontankochen	OP:50 OP:51	Verhindert Aktivierung verschiedener vorprogrammierter Tasten während des Garvorgangs. Ermöglicht Aktivierung verschiedener vorprogrammierter Tasten während des Garvorgangs.
6 In den Bereitschaftsmodus (Ready) zurücksetzen	OP:60 OP:61	Öffnen der Tür setzt Gerät nicht in den Bereitschaftszustand (Ready) zurück. Öffnen der Tür setzt das Gerät in den Bereitschaftsmodus (Ready) zurück.
7 Maximale Einschaltdauer	OP:70 OP:71	Aufwärmzeit auf maximal 60 Minuten begrenzen. Aufwärmzeit auf maximal 10 Minuten begrenzen.
8 Manueller Betrieb	OP:80 OP:81	Ausschließliche Verwendung der vorprogrammierten Tasten. Verwendung manueller Zeiteingabetasten und vorprogrammierter Tasten.
9 Zweistellige Ziffern	OP:90 OP:91	Erlaubt 10 (0-9) vorprogrammierte Tasten. Erlaubt 100 (00-99) vorprogrammierte Tasten.
0 Clean Filter Message (Filterreinigungs-Meldung)	OP:00 OP:01 OP:02 OP:03	Gerät zeigt Filter reinigen nicht an. Gerät zeigt Filter reinigen aller sieben (7) Tage an. Gerät zeigt Filter reinigen aller dreißig (30) Tage an. Gerät zeigt Filter reinigen aller neunzig (90) Tage an.

Betrieb mit der Digital-Drehknopf-Bedienung

Stil 1

Drehknöpfe sind nur an einigen Modellen vorhanden.

Der Schaltvorgang dieses Mikrowellengeräts kann auf der Speiseleitung Spannungsschwankungen verursachen. Unerwünschte Versorgungsspannungsbedingungen können den Betrieb dieses Geräts beeinträchtigen. Dieses Gerät ist für den Anschluss an ein Stromversorgungsnetz mit einer maximal zulässigen Systemimpedanz (Z_{max}) von **0,2 Ohm** am Anschlusspunkt der Stromversorgung des Benutzers vorgesehen. Der Benutzer muss sicherstellen, dass dieses Gerät nur an ein Stromversorgungsnetz angeschlossen wird, das diese Anforderung erfüllt. Hierfür muss der Benutzer ggf. das örtliche Stromversorgungsunternehmen bzgl. der Netzimpedanz am Anschlusspunkt konsultieren.

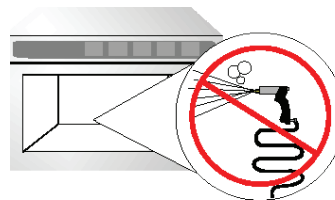


Einbaubabstände zur Wand

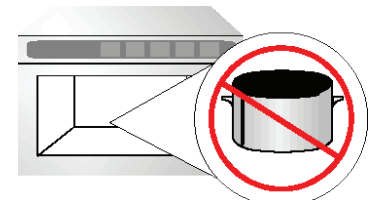
A — Bei Modellen für den nordamerikanischen Markt (UL/CSA) an der Oberseite des Geräts mindestens 5,1 cm (2") Abstand einhalten. Bei internationalen Modellen (50 Hz) an der Oberseite des Geräts mindestens 30 cm (12") Abstand einhalten, um eine ordnungsgemäße Luftzirkulation um das Gerät zur Kühlung der elektrischen Komponenten zu gewährleisten. Andernfalls kann die Funktion des Geräts bzw. die Lebensdauer der elektrischen Bauteile beeinträchtigt werden.

B — An der Rückseite des Geräts mindestens 5,1 cm (2") Abstand zwischen dem Luftaustritt und der Rückwand einhalten.

C — An den Seiten des Geräts mindestens 5,1 cm (2") Abstand einhalten.



KEINEN Hochdruckreiniger verwenden



Keine Metallbehälter verwenden



Verwendung des Geräts (Digital-Drehknopf)

Aufwärmen

1. Die Gerätetür öffnen, das Essen in das Gerät stellen und die Gerätetür schließen.
2. Den Zeitschalter im Uhrzeigersinn auf die gewünschte Einschaltdauer drehen.
 - Die Garzeit kann auf maximal 6 Minuten eingestellt werden.
 - Das Gerät schaltet sich ein und der Zeitablauf beginnt.
3. Nach Ablauf der Garzeit wird die Mikrowellenenergie abgeschaltet und ein Signal ertönt.

Unterbrechen des Betriebs

Zum Unterbrechen des Betriebs die Gerätetür öffnen oder den Zeitschalter gegen den Uhrzeigersinn auf „0“ drehen. Zum Wiederaufnehmen des Betriebs die Tür schließen. Falls die Zeit auf „0“ gesetzt wurde, muss sie neu eingestellt werden.

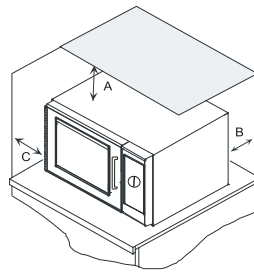
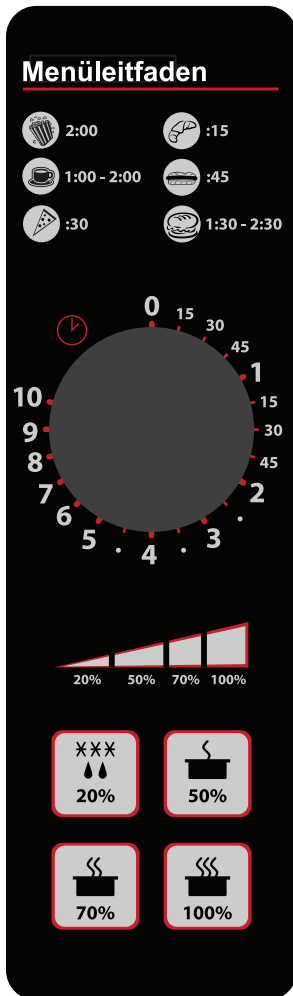
Ändern der Einschaltdauer und Korrigieren von Fehleingaben

Die Einschaltdauer kann jederzeit während des Gerätebetriebs geändert werden. Hierfür den Schalter auf die neue Einstellung drehen. Zum Einstellen der Einschaltdauer auf Null den Schalter gegen den Uhrzeigersinn auf „0“ drehen.

Betrieb mit der Digital-Drehknopf-Bedienung

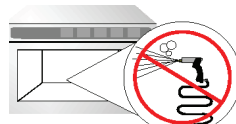
Stil 2

Drehknöpfe sind nur an einigen Modellen vorhanden.



Abstände der Ofenwandung

- A—Für nordamerikanische Modelle (UL/CSA) muss ein Abstand von wenigstens 5,1 cm zur Oberkante des Ofens eingehalten. Für internationale Modelle (50 Hz) muss ein Abstand von wenigstens 30 cm zur Oberkante des Ofens eingehalten. Die Luftströmung um den Ofen kühlt die Elektroteile. Bei eingeschränkter Luftströmung funktioniert der Ofen unter Umständen nicht störungsfrei und die Lebensdauer von Elektroteilen kann reduziert werden.
- B—Zwischen der Abluftöffnung an der Ofenrückseite und der Rückwand ist ein Abstand von wenigstens 5,1 cm einzuhalten.
- C—Ein Abstand von wenigstens 5,1 cm ist über und neben dem Ofen einzuhalten.



KEIN Abspritzen mit Hochdruck



Keine Metalltöpfe

Wie benutze ich?

(Elektronische/mechanische Wählscheibe)

Erhitzen

1. Die Ofentür öffnen, die Speisen in den Ofen stellen und die Ofentür schließen.
2. Die gewünschte Leistungsstufe oder die Vorgabestufe 100 % wählen.
3. Den Zeiteingabeknopf nach rechts auf die gewünschte Zeit drehen.
 - Die Kochzeit kann auf bis zu 10 min eingestellt werden.
 - Der Ofen läuft und das Zeitdisplay zählt rückwärts.
4. Nach Ablauf der Kochzeit wird die Mikrowellenenergie abgestellt und das Ofensignal ertönt.

Unterbrechung des Betriebs

Die Ofentür öffnen, um den Betrieb zu unterbrechen, oder den Zeiteingabe Knopf nach links auf "0" stellen.


Zur Wiederaufnahme des Betriebs des Mikrowellenofens die Tür schließen, die Leistungsstufentaste auswählen und den Knopf drehen.

Ändern der Zeit und Abbruch bei Fehlern


Die Kochzeit und die Leistungsstufe können jederzeit geändert werden, während der Ofen läuft. Die Zeitstufentaste drücken oder den Knopf auf die gewünschte neue Einstellung drehen. Zum Stellen der Kochzeit auf Null den Knopf nach links auf null drehen oder die Tür öffnen und wieder schließen.

Zeituhränderungsoption

Die Zeituhr kann jederzeit auf Null zurückgestellt werden, um den gegenwärtigen Kochvorgang anzuhalten (Stoppen der Zeit und Leistungsstufe), wenn die Tür geöffnet wird. Zum Ändern dieser Option bitte den nachstehenden Schritt befolgen.

- Bei geöffneter Tür die 100%-Taste  5 Sekunden lang drücken, bis ein akustisches Signal ertönt. Das Schließen der Tür ändert die Zeiteinstellung auf Anhalten des gegenwärtigen Kochvorganges (Stoppen der Zeit und Leistungsstufe), wenn die Tür geöffnet wird.

Das Anhalten des gegenwärtigen Kochvorganges (Stoppen der Zeit und Leistungsstufe) kann jederzeit auf Zurückstellen auf Null sowie 100 %-ige Leistungsstufe eingestellt werden, wenn die Tür geöffnet wird. Zum Ändern dieser Option bitte den nachstehenden Schritt befolgen.

- Bei geöffneter Tür die 20%-Taste  5 s lang drücken, ist ein akustisches Signal ertönt. Das Schließen der Tür ändert die Zeiteinstellung auf Zurückstellen auf Null sowie 100 %-ige Leistungsstufe, wenn die Tür geöffnet wird.

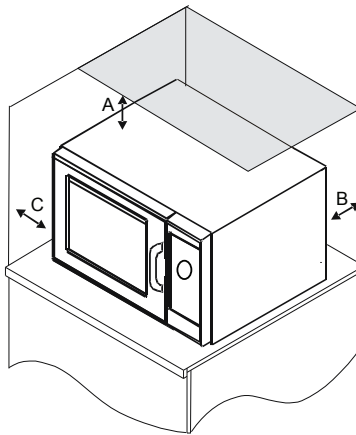
Das Schalten dieses Mikrowellenofens kann zu Spannungsschwankungen der Netzversorgung führen. Das Betreiben dieses Ofens bei ungünstigen Spannungszuständen kann negative Auswirkungen haben. Dieses Gerät ist für den Anschluss an ein Netzsystem mit einer maximal zulässigen Netimpedanz Z_{max} von 0,2 Ohm an der mit Stelle zur Netzversorgung des Benutzers gedacht. Der Benutzer muss gewährleisten, dass dieses Gerät nur an eine Netzversorgung angeschlossen wird, die die obige Anforderung erfüllt. Bei Bedarf kann der Benutzer sein Stromversorgungsunternehmen um Informationen zur Netzimpedanz an der Schnittstelle bitten.

Betrieb mit der Drehknopf-Bedienung

Stil 3

Drehknöpfe sind nur an einigen Modellen vorhanden.

Der Schaltvorgang dieses Mikrowellengeräts kann auf der Speiseleitung Spannungsschwankungen verursachen. Unerwünschte Versorgungsspannungsbedingungen können den Betrieb dieses Geräts beeinträchtigen. Dieses Gerät ist für den Anschluss an ein Stromversorgungsnetz mit einer maximal zulässigen Systemimpedanz (Z_{max}) von **0,2 Ohm** am Anschlusspunkt der Stromversorgung des Benutzers vorgesehen. Der Benutzer muss sicherstellen, dass dieses Gerät nur an ein Stromversorgungsnetz angeschlossen wird, das diese Anforderung erfüllt. Hierfür muss der Benutzer ggf. das örtliche Stromversorgungsunternehmen bzgl. der Netzimpedanz am Anschlusspunkt konsultieren.

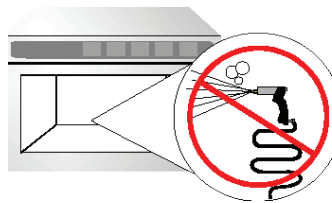


Einbaubabstände zur Wand

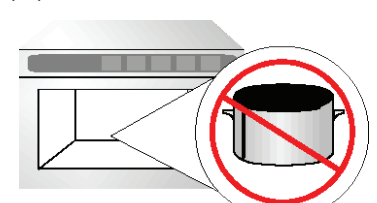
A — Bei Modellen für den nordamerikanischen Markt (UL/CSA) an der Oberseite des Geräts mindestens 5,1 cm (2") Abstand einhalten. Bei internationalen Modellen (50 Hz) an der Oberseite des Geräts mindestens 30 cm (12") Abstand einhalten, um eine ordnungsgemäße Luftzirkulation um das Gerät zur Kühlung der elektrischen Komponenten zu gewährleisten. Andernfalls kann die Funktion des Geräts bzw. die Lebensdauer der elektrischen Bauteile beeinträchtigt werden.

B — An der Rückseite des Geräts mindestens 5,1 cm (2") Abstand zwischen dem Luftaustritt und der Rückwand einhalten.

C — An den Seiten des Geräts mindestens 5,1 cm (2") Abstand einhalten.



KEINEN Hochdruckreiniger verwenden



Keine Metallbehälter verwenden



Verwendung des Geräts (Drehknopf)

Aufwärmen

1. Die Gerätetür öffnen, das Essen in das Gerät stellen und die Gerätetür schließen.
2. Den Leistungsstufenknopf auf die gewünschte Leistungsstufe drehen.
 - Die Einstellungen für die Leistungsstufen lauten: Hold (15%), Defrost (30%), Medium (50%), Med. High (70%) oder High (100%).
3. Den Zeitschalter im Uhrzeigersinn drehen, bis die gewünschte Garzeit angezeigt wird.
 - Die Garzeit kann auf maximal 10 Minuten eingestellt werden.
 - Wenn der Timer für eine Zeiteinstellung von weniger als 2 Minuten eingestellt wird, den Knopf über 2 Minuten hinwegdrehen und ihn dann auf die gewünschte Dauer einstellen.
4. Das Gerät schaltet sich ein und der Zeitablauf beginnt.
5. Nach Ablauf des Countdowns wird die Mikrowellenenergie abgeschaltet und ein Signal ertönt.

Unterbrechen des Betriebs

Zum Unterbrechen des Betriebs die Gerätetür öffnen oder den Zeitschalter gegen den Uhrzeigersinn auf „0“ drehen. Zum Wiederaufnehmen des Betriebs die Tür schließen. Falls die Zeit auf „0“ gesetzt wurde, muss sie neu eingestellt werden.

Ändern der Zeit/Leistungsstufe und Korrigieren von Fehleingaben

Garzeit und Leistungsstufe können jederzeit während des Gerätebetriebs geändert werden. Hierfür den/die Schalter auf die neue Einstellung drehen. Zum Einstellen der Garzeit auf Null den Zeiteingabe-Schalter gegen den Uhrzeigersinn auf „0“ drehen.

Pflege und Reinigung

TEIL	PFLEGE- UND REINIGUNGSEMPFEHLUNGEN
Innenraum, Außenflächen und Tür	<p>Zum Reinigen des Geräts einen Schwamm oder ein weiches Tuch in eine Lösung aus mildem Reinigungsmittel und warmem Wasser tauchen. Den Schwamm oder das Tuch gut auswringen. Vor dem Reinigen ggf. eine Tasse Wasser im Gerät kochen lassen, um den Schmutz zu lösen.</p> <p>Wichtig:</p> <ul style="list-style-type: none">• Keine scheuernden Reinigungsmittel oder Reinigungsmittel mit Ammoniak bzw. Zitronensäure verwenden. Andernfalls kann die Lackierung beschädigt werden.• Kein Wasser auf den Boden des Geräts gießen.• Keine Druckreinigungsgeräte verwenden.
Abzugsöffnungen	<p>Den Boden und die Rückseite des Geräts monatlich auf Kochablagerungen entlang der Lüftungsschlitze (Lufteinlass und Luftaustritt) prüfen. Die Abzugsöffnungen mit einem feuchten Tuch abwischen, um den ordnungsgemäßen Luftstrom zu gewährleisten, und anschließend gründlich trocknen.</p>
Lufteinlassfilter	<p>Der Filter befindet sich unterhalb der Gerätetür und kann nicht herausgenommen werden. Den Lufteinlassfilter regelmäßig reinigen, um einen ordnungsgemäßen Luftstrom zu gewährleisten. Die Abzugsöffnungen mit einem feuchten Tuch abwischen, um den ordnungsgemäßen Luftstrom zu gewährleisten.</p> <p>Wichtig:</p> <p>Um das Risiko des Überhitzens und eines Geräteschadens zu vermeiden, den Luftfilter regelmäßig reinigen.</p>
Bedienfeld	<p>Die Gerätetür öffnen, um den Zeitschalter zu deaktivieren. Einen Schwamm oder ein weiches Tuch in eine Lösung aus mildem Reinigungsmittel und warmem Wasser tauchen und das Bedienfeld abwischen.</p>

Bevor Sie den Kundendienst anrufen

Problem	Mögliche Ursache
Gerät funktioniert nicht.	Bestätigen, dass das Gerät an einen separaten Stromkreis angeschlossen ist. Bestätigen, dass das Gerät an einen geerdeten und gepolten Stromkreis angeschlossen ist. (Einen Elektriker zu Rate ziehen.) Sicherung bzw. Leitungsschutzschalter überprüfen.
Gerät schaltet sich ein und aus.	Luffilter und Lüftungsbereich auf Blockierungen überprüfen.
Gerät akzeptiert keine Eingaben auf dem Tastenfeld.	Sicherstellen, dass das Gerät eingeschaltet ist. Die Gerätetür öffnen und wieder schließen. Die Taste erneut drücken.
Gerät funktioniert nicht oder zeigt F mit einer Zahl an.	Die elektronische Bedienung verfügt über ein Selbstdiagnosesystem, das den Benutzer auf eine Störung oder ein Problem aufmerksam macht. Bei Anzeige eines dieser Fehlercodes wie folgt vorgehen: 1. Den angezeigten Code notieren. 2. Den Stecker des Geräts aus der Steckdose ziehen, eine Minute lang warten und den Stecker wieder einstecken. • Der Fehlercode wird durch Trennen der Stromversorgung ggf. gelöscht. Wenn das Gerät weiterhin nicht funktioniert, ACP ComServ gebührenfrei unter 1-866-426-2621 (in den USA und Kanada) anrufen.
Gerät läuft, das Kochgut wird jedoch nicht warm.	Eine Tasse Wasser in das Gerät stellen. Das Gerät eine Minute lang mit voller Leistung (100 %) betreiben. Wenn sich das Wasser nicht erwärmt, funktioniert das Gerät nicht richtig. Mit einem befugten ACP Kundendienstunternehmen in Verbindung treten oder ACPComServ gebührenfrei unter 1-866-426-2621 (in den USA und Kanada) anrufen.



WARNUNG

Zur Vermeidung eines elektrischen Schlags, der schwere Verletzungen oder den Tod verursachen kann, das Außengehäuse niemals entfernen. Das Gehäuse darf nur von einem befugten ACP-Kundendienstunternehmen entfernt werden.