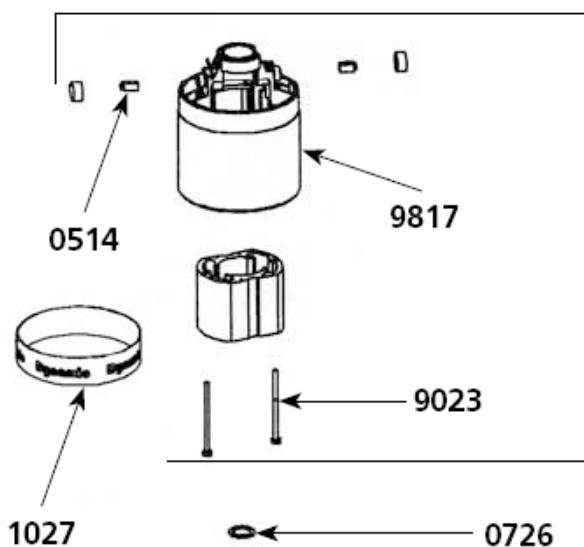
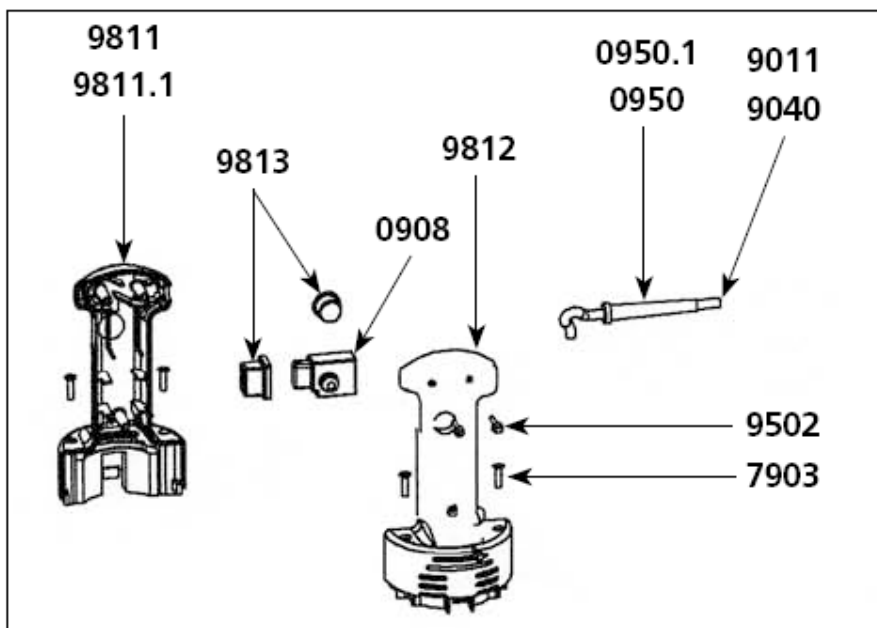
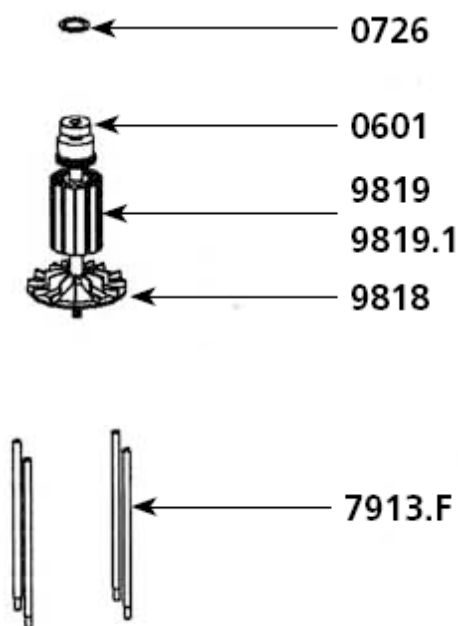
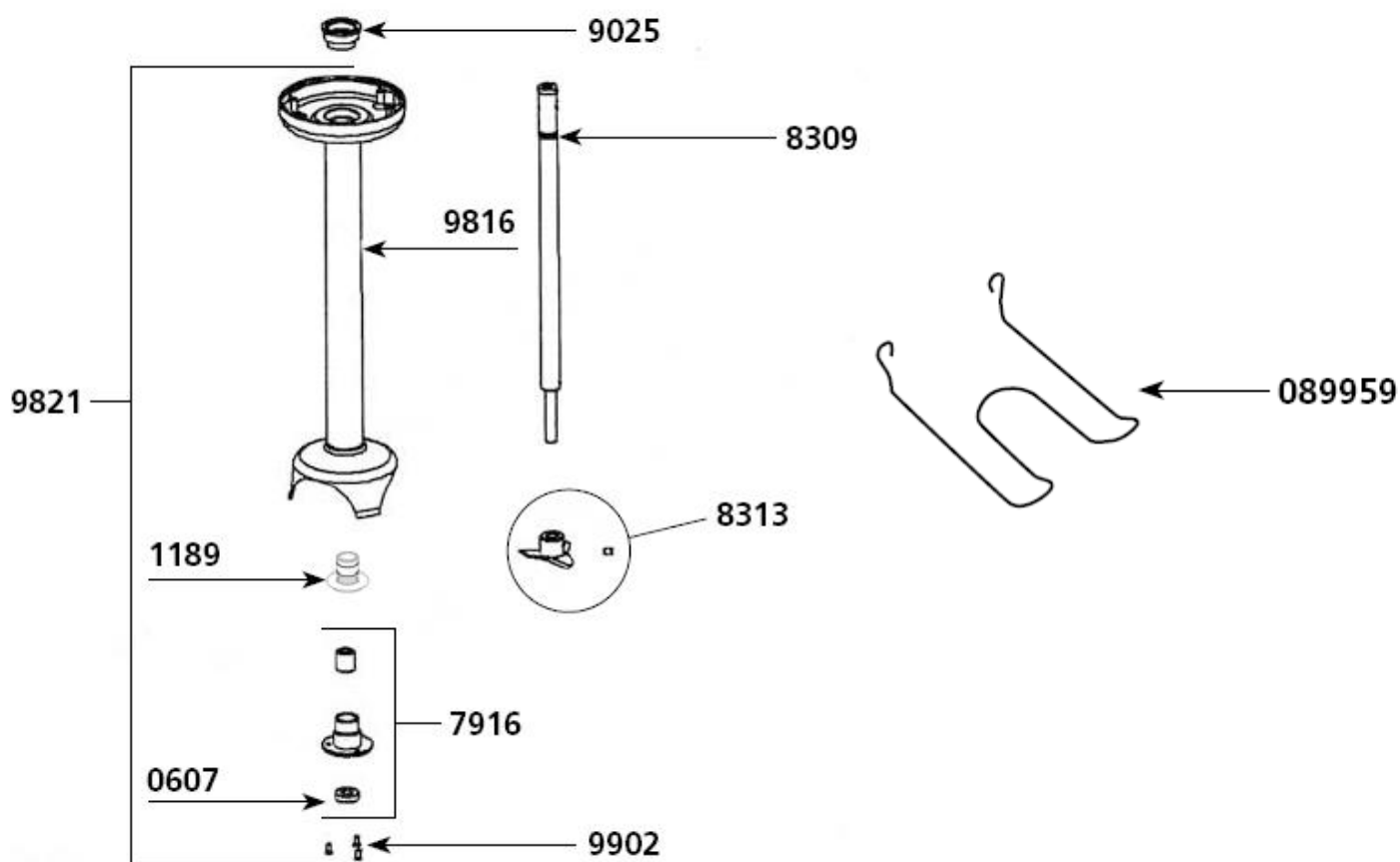


9810
9810.1



9820
9820.1





| Machine | Explode | Code | Description |
|--------------|---------|-------|--------------------------------|
| Pmx 98 mixer | 0514 | AD575 | CARBON BRUSHES (2) |
| Pmx 98 mixer | 0601 | AD504 | BALL BEARING |
| Pmx 98 mixer | 0607 | ☎ | WATERPROOF SEAL |
| Pmx 98 mixer | 0726 | AC418 | SQUEEZING WASHER |
| Pmx 98 mixer | 089959 | ☎ | WALL BRACKET |
| Pmx 98 mixer | 0908 | AD513 | NON-LOCKING SWITCH |
| Pmx 98 mixer | 0950 | ☎ | STRAIN RELIEF 230 V |
| Pmx 98 mixer | 0950.1 | ☎ | STRAIN RELIEF 115 V |
| Pmx 98 mixer | 0972.1 | ☎ | CAPACITOR |
| Pmx 98 mixer | 1017 | ☎ | WARNING LABEL |
| Pmx 98 mixer | 1027 | AD573 | DYNAMIC LABEL |
| Pmx 98 mixer | 1063 | ☎ | LABEL W/ SERIAL NUMBER 230 V |
| Pmx 98 mixer | 1064 | ☎ | LABEL W/ SERIAL NUMBER 115 V |
| Pmx 98 mixer | 1189 | ☎ | BEARING HOLDER + SEAL |
| Pmx 98 mixer | 1213 | AD517 | SPEED VARIATOR (OPTION) (230V) |
| Pmx 98 mixer | 1214 | ☎ | SPEED VARIATOR (OPTION) (115V) |
| Pmx 98 mixer | 7903 | ☎ | BRACE SCREWS (4) |
| Pmx 98 mixer | 7913.F | ☎ | BRACES (4) |
| Pmx 98 mixer | 7916 | AD503 | LOWER BALL BEARING ASSEMBLY |

| | | | |
|--------------|--------|---|--|
| Pmx 98 Mixer | 8309 | AD519 | SHAFT |
| Pmx 98 mixer | 8313 | AD518 | CUTTER BLADE W/ SCREW |
| Pmx 98 mixer | 9011 |  | POWER CORD 230 V |
| Pmx 98 mixer | 9023 |  | STATOR SCREWS (2) |
| Pmx 98 mixer | 9025 | AB748 | BALL BEARING RING |
| Pmx 98 mixer | 9040 |  | POWER CORD 115 V |
| Pmx 98 mixer | 9066 |  | POWER CORD (AUSTRALIAN) |
| Pmx 98 mixer | 9067 |  | POWER CORD (AUSTRALIAN) |
| Pmx 98 mixer | 9502 |  | HANDLE SCREWS (3) |
| Pmx 98 mixer | 9810 |  | COMPLETE HANDLE 230 V |
| Pmx 98 mixer | 9810.1 |  | COMPLETE HANDLE 115 V |
| Pmx 98 mixer | 9811 |  | LOWER HALF HANDLE W/ LABEL 230 V |
| Pmx 98 mixer | 9811.1 |  | LOWER HALF HANDLE W/ LABEL 115 V |
| Pmx 98 mixer | 9812 |  | UPPER HALF HANDLE |
| Pmx 98 mixer | 9813 | AD587 | SWITCH PROTECTOR (2) |
| Pmx 98 mixer | 9816 |  | MOTOR & SHAFT HOUSING + BEARING |
| Pmx 98 mixer | 9817 |  | UPPER MOTOR CASING (W/ CARBON BRUSHES HOLDERS) |
| Pmx 98 mixer | 9818 |  | FAN |
| Pmx 98 mixer | 9819 |  | ROTOR 230 V |
| Pmx 98 mixer | 9819.1 |  | ROTOR 115 V |
| Pmx 98 mixer | 9820 |  | STATOR 230 V (W/ CARTER, CARBON BRUSHES HOLDERS) |
| Pmx 98 mixer | 9820.1 |  | STATOR 115 V (W/ CARTER, CARBON BRUSHES HOLDERS) |
| Pmx 98 mixer | 9821 |  | COMPLETE FOOT ASSEMBLY |
| Pmx 98 mixer | 9836 |  | SHAFT, LOWER BALL BEARING & CUTTER ASSEMBLY |
| Pmx 98 Mixer | 9902 |  | LOWER BEARING SCREWS (3) |