



**BS7W - Silverlink 600
Electric Counter-top Bain
Marie - Wet Heat - Round
Pots - Base + 6 Pots - W
750 mm - 2.0 kW**

The Silverlink 600 Electric Wet Heat Bain Marie safely holds sauces, soups, gravy and precooked foods for up to two hours at the ideal serving temperature

- ✓ Wet heat bain marie
- ✓ Ideal for holding foods for up to 2 hours at serving temperature
- ✓ 6 x 8pt / 4.5Lt round stainless steel pots included
- ✓ This wet unit can also be used as a dry bain marie
- ✓ Plug and play for an easy installation
- ✓ Perfect for safely holding sauces, gravy & pre-cooked foods
- ✓ Adjustable temperature control

Specifications

Summary

Range Name	Silverlink 600
Power Type	Electric
Unit Type	Counter-top
Available in UK Only	No
UK Warranty	2 Years Parts and Labour Warranty
Export Warranty	Contact your local dealer
GTIN Code	5056105100331

Power and Performance

Total Power kW	2.0
IP Rating	IP33
Temperature Control	Mechanical

Key Specifications

Drain Location	Front-mounted
Pot Type	Round pot
Type of Heat	Wet

Weights and Dimensions

Unit Height (External) mm	325
Unit Width (External) mm	750
Unit Depth (External) mm	600
Net Weight Kg	22.4

Supply Connections

Requires Installation	No
Requires Electrical Supply	Yes
UK 3 Pin Plug	Yes
Requires Hardwiring	No
Electrical Supply Rating Watts	2,000
Single Phase Amps	8.7
Single Phase Voltage	230

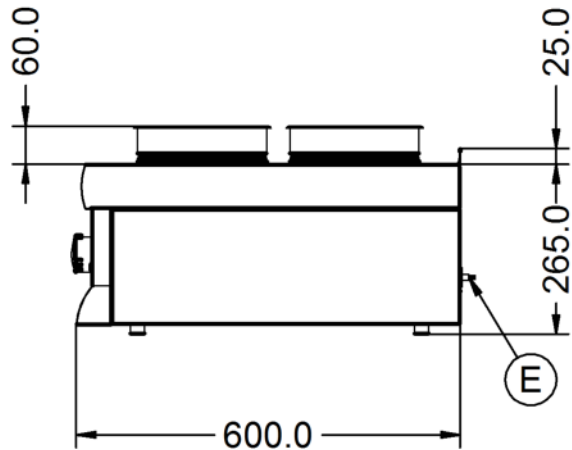
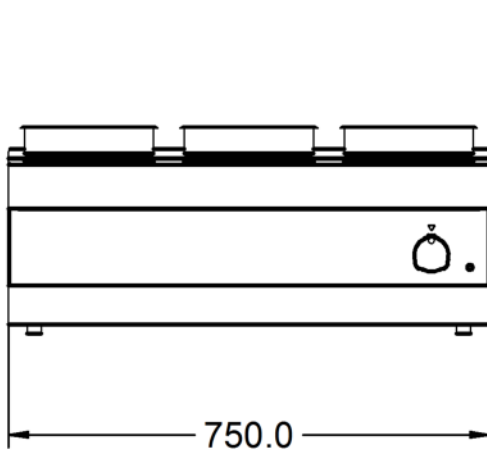
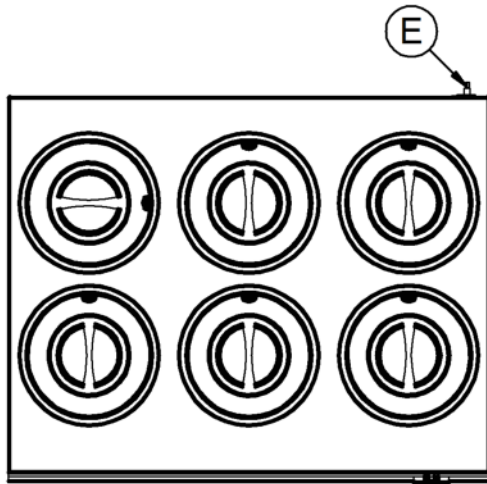
Shipping

Packed Weight Kg	29.4
Packed Height cm	49.5
Packed Width cm	85.5
Packed Depth cm	70

Available Accessories

CC7	Silverlink 600 Free-standing Ambient Open-Top Pedestal with Doors - W 750 mm
CN7	Silverlink 600 Free-standing Ambient Open-Top Pedestal without Doors - W 750 mm
HC7	Silverlink 600 Free-standing Heated Open-Top Pedestal with Doors - W 750 mm - 0.5 kW
HCL7	Silverlink 600 Free-standing Heated Pedestal with Legs and Doors - W 750 mm - 0.75 kW
SLS7	Silverlink 600 Free-standing Floor Stand - for units W 750 mm

Technical Picture



Lincat Limited

Whisby Road,
Lincoln, LN6 3QZ,
United Kingdom

Company No: 2175448

A member company of



Customer Care

Tel: +44 1522 875500
Email: care@lincat.co.uk

Export Customers

Tel: +44 1522 503250
Email: export@lincat.co.uk

Opening Hours

Monday – Friday:
8.30am – 5pm