

BM4D - Silverlink 600 Electric Counter-top Bain Marie - Dry Heat - Gastronorms - Base + Dish Pack - W 450 mm - 0.75 kW

The Silverlink 600 Electric Dry Heat Bain Marie safely holds sauces, soups, gravy and precooked foods for up to two hours at the ideal serving temperature

- ✓ Dry heat bain marie
 - ✓ Ideal for holding foods for up to 2 hours at serving temperature
 - ✓ 4 x 1/4 150mm deep gastronorms with lids are included
- ✓ Plug and play for an easy installation
 - ✓ Perfect for safely holding sauces, gravy & pre-cooked foods
 - ✓ Adjustable temperature control

Specifications

Summary

Range Name	Silverlink 600
Power Type	Electric
Unit Type	Counter-top
Available in UK Only	No
UK Warranty	2 Years Parts and Labour Warranty
Export Warranty	Contact your local dealer
GTIN Code	5056105118084

Power and Performance

Gastronorm Capacity	4 x GN1/4
Total Power kW	0.75
IP Rating	IP33
Temperature Control	Mechanical

Key Specifications

Pot Type	Gastronorm
Type of Heat	Dry

Weights and Dimensions

Unit Height (External) mm	290
Unit Width (External) mm	450
Unit Depth (External) mm	600
Net Weight Kg	13.5

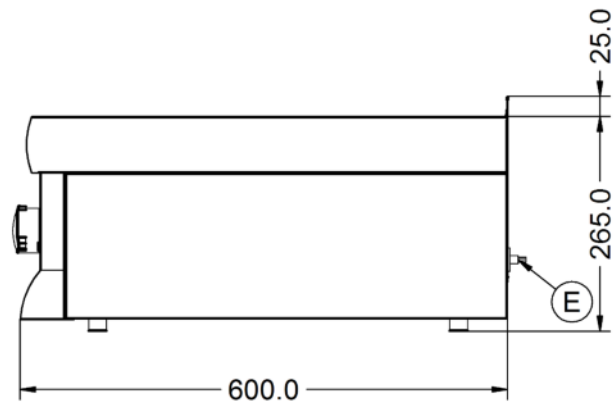
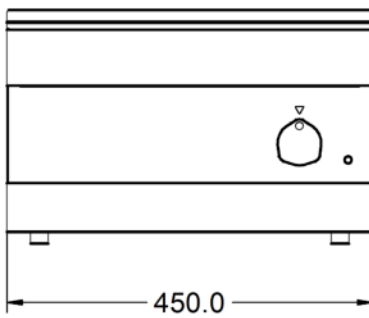
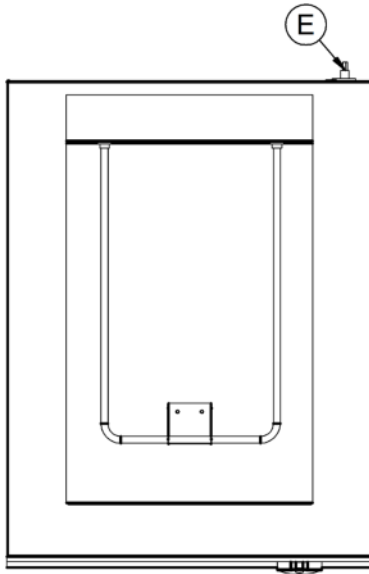
Supply Connections

Requires Installation	No
Requires Electrical Supply	Yes
UK 3 Pin Plug	Yes
Requires Hardwiring	No
Electrical Supply Rating Watts	750
Single Phase Amps	3.3
Single Phase Voltage	230

Shipping

Packed Weight Kg	17.8
Packed Height cm	49.5
Packed Width cm	70
Packed Depth cm	55

Technical Picture



Lincat Limited

Whisby Road,
Lincoln, LN6 3QZ,
United Kingdom

Company No: 2175448

A member company of



Customer Care

Tel: +44 1522 875500
Email: care@lincat.co.uk

Export Customers

Tel: +44 1522 503250
Email: export@lincat.co.uk

Opening Hours

Monday – Friday:
8.30am – 5pm