



AS3 - Silverlink 600 Electric Counter-top Adjustable Salamander Grill - W 600 mm - 2.8 kW

Fast and convenient, the Silverlink 600 Electric Adjustable Salamander allows you to alter the height of the unit so that you can grill and toast your way.

- ✓ Ideal for the grilling and gratinating of a range of food types
- ✓ 1/1 gastronorm compatible for convenience in use
- ✓ Smooth action and easy-lift grill hood
- ✓ The height markings and audible timer ensures consistent results every time
- ✓ Chromed toasting rack included
- ✓ Removable fat collection tray is included to make cleaning easier
- ✓ Plug and play for an easy installation

Specifications

Summary

Range Name	Silverlink 600
Power Type	Electric
Unit Type	Counter-top
Available in UK Only	No
UK Warranty	2 Years Parts and Labour Warranty
Export Warranty	Contact your local dealer
GTIN Code	5056105100157

Power and Performance

Gastronorm Capacity	1 x GN1/1
Total Power kW	2.8
IP Rating	IP33
Cooking Area (Width x Depth) mm	532 x 340
Temperature Control	Mechanical

Key Specifications

Number of Heat Zones	1
-----------------------------	---

Weights and Dimensions

Unit Height (External) mm	500
Unit Width (External) mm	600
Unit Depth (External) mm	472
Shelf Dimensions Width mm	532
Shelf Dimensions Depth mm	340
Net Weight Kg	45.1

Supply Connections

Requires Installation	No
UK 3 Pin Plug	Yes
Requires Hardwiring	No
Electrical Supply Rating Watts	2,800
Single Phase Amps	12.17
Single Phase Voltage	230

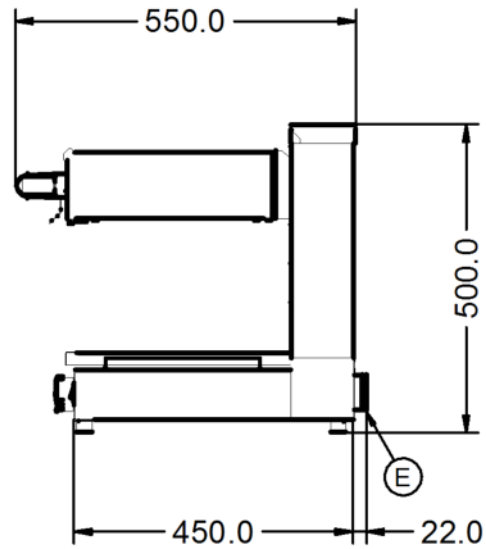
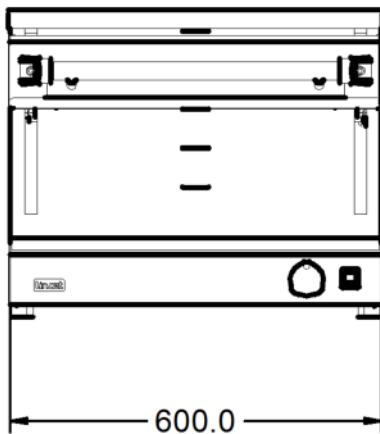
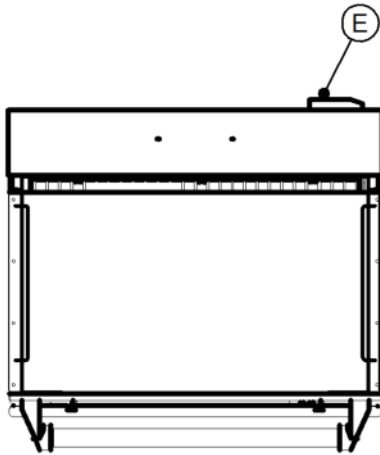
Shipping

Packed Weight Kg	58.7
Packed Height cm	102.3
Packed Width cm	70.3
Packed Depth cm	70.3

Available Accessories

BR51	AS4 & AS3 WALL BRACKET
-------------	------------------------

Technical Picture



Lincat Limited

Whisby Road,
Lincoln, LN6 3QZ,
United Kingdom

Company No: 2175448

A member company of



Customer Care

Tel: +44 1522 875500
Email: care@lincat.co.uk

Export Customers

Tel: +44 1522 503250
Email: export@lincat.co.uk

Opening Hours

Monday – Friday:
8.30am – 5pm