

XR01CX DIGITAL THERMOSTAT
XR02CX DIGITAL CONTROLLER WITH "OFF CYCLE" DEFROST
XR03CX DIGITAL CONTROLLER WITH AUXILIARY RELAY
XR04CX DIGITAL CONTROLLER WITH DEFROST RELAY
XR06CX DIGITAL CONTROLLER WITH DEFROST AND FANS MANAGEMENT

SZ02 1599010030 V.1.0 2013.07.17

OPERATING MANUAL

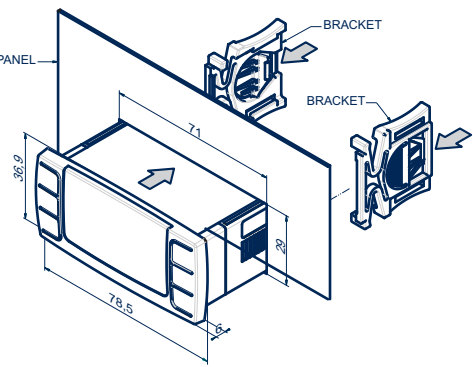
1. GENERAL WARNINGS

- 1.1 PLEASE READ BEFORE USING THIS MANUAL
- This manual is part of the product and should be kept near the instrument for easy and quick reference.
- The instrument shall not be used for purposes different from those described hereunder. It cannot be used as a safety device.
- Check the application limits before proceeding
- Dixell Srl reserves the right to change the composition of its products, even without notice, ensuring the same and unchanged functionality.
- 1.2 SAFETY PRECAUTIONS
- Check the supply voltage is correct before connecting the instrument.
- Do not expose to water or moisture: use the controller only within the operating limits avoiding sudden temperature changes with high atmospheric humidity to prevent formation of condensation.
- Warning: disconnect all electrical connections before any kind of maintenance.
- Fit the probe where it is not accessible by the End User. The instrument must not be opened.
- In case of failure or faulty operation send the instrument back to the distributor or to "Dixell S.r.l." (see address) with a detailed description of the fault.
- Consider the maximum current which can be applied to each relay (see Technical Data).
- Ensure that the wires for probes, loads and the power supply are separated and far enough from each other, without crossing or intertwining.
- In case of applications in industrial environments, the use of mains filters (our mod. FT1) in parallel with inductive loads could be useful.
- 1.3 DISPOSAL OF THE PRODUCT
- The appliance (or the product) must be disposed of separately in accordance with the local waste disposal legislation in force.

2. FRONT PANEL

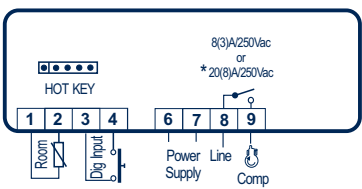


3. DIMENSIONS AND CUT OUT

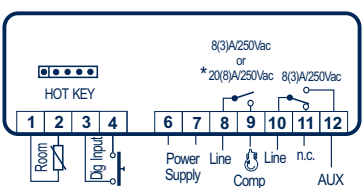


4. CONNECTIONS

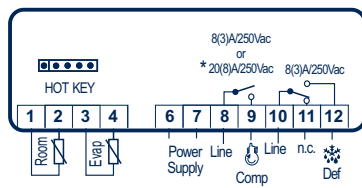
XR01CX - XR02CX 8A or 20A COMP.



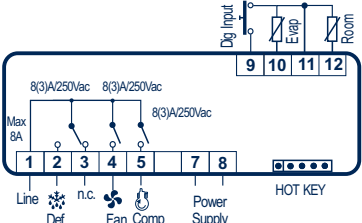
XR03CX 8A or 20A COMP.



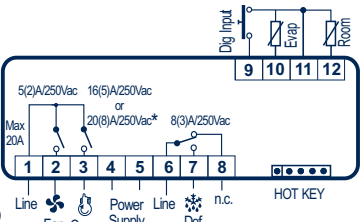
XR04CX 8A or 20A COMP.



XR06CX 8A COMP.



XR06CX 16A or 20A COMP.



5. GENERAL DESCRIPTION

The model XR01CX, in 32x74x50 mm short format, is a single stage temperature thermostat suitable for applications in the field of refrigeration or heating. It provides a relay output to drive the compressor. It is also provided with 1 NTC probe input and one digital input. The instrument is fully configurable through special parameters that can be easily programmed through the keyboard or by the HOTKEY.

The model XR02CX, in 32x74x50 mm short format, is a digital controller with off cycle defrost designed for refrigeration applications at normal temperature. It provides a relay output to drive the compressor. It is also provided with 1 NTC probe input and one digital input. The instrument is fully configurable through special parameters that can be easily programmed through the keyboard or by the HOTKEY.

The model XR03CX, in 32x74x50 mm short format, is microprocessor based controller suitable for applications on normal temperature refrigerating units. It provides two relay output: one for compressor and the other one for alarm signalling, or as auxiliary output. It provides an NTC probe input and a digital input for alarm signalling, for switching the auxiliary output or for start defrost. The instrument is fully configurable through special parameters that can be easily programmed through the keyboard or by the HOTKEY.

The model XR04CX, in 32x74x50 mm short format, is microprocessor based controller suitable for applications on normal or low temperature refrigerating units. It has three relay outputs: one for compressor, fan, and defrost, which can be either electrical or reverse cycle (hot gas). It is also provided with 2 NTC probe inputs, the first one for temperature control, the second one, to be located onto the evaporator, to control the defrost termination temperature and to managed the fan and it's provided with a configurable digital input. With the HOTKEY it's possible to program the instrument in a quick and easy way.

The model XR06CX, format 32x74x60 mm, is microprocessor based controller, suitable for applications on medium or low temperature ventilated refrigerating units. It has three relay outputs to control compressor, fan, and defrost, which can be either electrical or reverse cycle (hot gas). It is also provided with 2 NTC probe inputs, the first one for temperature control, the second one, to be located onto the evaporator, to control the defrost termination temperature and to managed the fan and it's provided with a configurable digital input. With the HOTKEY it's possible to program the instrument in a quick and easy way.

6. REGULATION

6.1 THE REGULATION OUTPUT (Only for XR01CX)

The regulation is performed according to the temperature measured by probe. The instrument is provided with the CH programmable parameter which enables the user to set the regulation both for heating or cooling applications:

- CH=CL -> cooling applications;
- CH=HT -> heating applications.

6.2 COOLING APPLICATIONS

The regulation is performed according to the temperature measured by the thermostat probe with a positive differential from the set point: if the temperature increases and reaches set point plus differential the compressor is started and then turned off when the temperature reaches the set point value again.

6.3 HEATING APPLICATIONS (Only XR01CX)

The Hy value is automatically subtracted to the SET POINT. If the temperature decreases and reaches set point minus differential the output is started and then turned off when the temperature reaches set point value again.

7. DEFROST

XR02CX - XR03CX: Defrost is performed through a simple stop of the compressor. Parameter Id controls the interval between defrost cycles, while its length is controlled by parameter Md.

XR04CX - XR06CX: Two defrost modes are available through the td parameter:

- td=EL defrost through electrical heater (compressor OFF);
- td=in hot gas defrost (compressor ON).

Other parameters are used to control the interval between defrost cycles (id), its maximum length (Md) and two defrost modes: timed or controlled by the evaporator's probe. At the end of defrost dripping time is started, its length is set in the dt parameter. With dt=0 the dripping time is disabled.

8. FANS (Only XR06CX)

With FC parameter it can be selected the fans functioning:

- FC=cn will switch ON and OFF with the compressor and not run during defrost
- FC=on fans will run even if the compressor is off, and not run during defrost

After defrost, there is a timed fan delay allowing for drip time, set by means of the Fd parameter.

- FC=cy fans will switch ON and OFF with the compressor and run during defrost
- FC=oy fans will run continuously also during defrost.

An additional parameter FS provides the setting of temperature, detected by the evaporator probe, above which the fans are always OFF. This is used to make sure circulation of air only if its temperature is lower than set in FS.

8.1 FANS AND DIGITAL INPUT

When the digital input is configured as door switch iF=do, fans and compressor status depends on the dC parameter value:

- dC=no normal regulation;
- dC=Fn fans OFF;
- dC=cP compressor OFF;
- dC=Fc compressor and fans OFF.

When rd=y, the regulation restart with door open alarm.

9. FRONT PANEL COMMANDS

- SET To display target set point, in programming mode it selects a parameter or confirm an operation
- Flashing To start a manual defrost
- Up Arrow In programming mode it browses the parameter codes or increases the displayed value
- Down Arrow In programming mode it browses the parameter codes or decreases the displayed value

KEYS COMBINATION

- Up Arrow + Down Arrow To lock or unlock the keyboard
- SET + Up Arrow To enter in programming mode
- SET + Down Arrow To return to room temperature display

LED	MODE	DESCRIPTION
[Light]	On	Compressor enabled
[Light]	Flashing	Anti short cycle delay enabled (AC parameter)
[Light]	On	Defrost in progress
[Light]	Flashing	Dripping in progress
[Fan]	On	Fans output enabled
[Fan]	Flashing	Fans delay after defrost
[C]	On	Measurement unit
[C]	Flashing	Programming mode
[F]	On	Measurement unit
[F]	Flashing	Programming mode

9.1 HOW TO SEE THE SET POINT

- Push and immediately release the SET key, the set point will be showed;
- Push and immediately release the SET key or wait about 5s to return to normal visualisation.

9.2 HOW TO CHANGE THE SET POINT

- Push the SET key for more than 3 seconds to change the Set point value;
- The value of the set point will be displayed and the °C or °F LEDs start blinking;
- To change the SET value push the ^ or v arrows within 10s;
- To memorise the new set point value push the SET key again or wait 10s.

9.3 HOW TO START A MANUAL DEFROST

Push the DEF key for more than 2 seconds and a manual defrost will start.

9.4 HOW TO CHANGE A PARAMETER VALUE

- To change the parameter's value operate as follows:
- Enter the Programming mode by pressing the SET+ ^ keys for 3s (°C or °F LED starts blinking);
 - Released the keys, then push again the SET+ ^ keys for more than 7s. The L2 label will be displayed immediately followed from the Hy parameter.
 - Select the required parameter;
 - Press the SET key to display its value;
 - Use ^ or v to change its value;
 - Press SET to store the new value and move to the following parameter.
- To exit: Press SET+ ^ or wait 15s without pressing a key.
- NOTE: The set value is stored even when the procedure is exited by waiting the time-out to expire.

9.5 HIDDEN MENU

The hidden menu includes all the parameters of the instrument.

HOW TO ENTER THE HIDDEN MENU

- Enter the Programming mode by pressing the SET+ ^ keys for 3s (°C or °F LED starts blinking);
 - Released the keys, then push again the SET+ ^ keys for more than 7s. The L2 label will be displayed immediately followed from the Hy parameter.
- NOW YOU ARE IN THE HIDDEN MENU.**
- Select the required parameter;
 - Press the SET key to display its value;
 - Use ^ or v to change its value;
 - Press SET to store the new value and move to the following parameter.
- To exit: Press SET+ ^ or wait 15s without pressing a key.
- NOTE1: if none parameter is present in L1, after 3s the nP message is displayed. Keep the keys pushed till the L2 message is displayed.
- NOTE2: The set value is stored even when the procedure is exited by waiting the time-out to expire.

HOW TO MOVE A PARAMETER FROM THE HIDDEN MENU TO THE FIRST LEVEL AND VICEVERSA.

Each parameter present in the HIDDEN MENU can be removed or put into "THE FIRST LEVEL" (user level) by pressing SET+ v. In HIDDEN MENU when a parameter is present in First Level the decimal point is on.

9.6 TO LOCK THE KEYBOARD

Keep pressed for more than 3s the ^ and v keys. The OF message will be displayed and the keyboard will be locked. If a key is pressed more than 3s the OF message will be displayed.

9.7 TO UNLOCK THE KEYBOARD

Keep pressed together for more than 3s the ^ and v keys till the On message will be displayed.

10. DIGITAL INPUTS

The free voltage digital input is programmable in different configurations by the iF parameter.

10.1 DOOR SWITCH (iF=do)

It signals the door status and the corresponding relay output status through the dC parameter: no = normal (any change); Fn = Fan OFF; CP = Compressor OFF; FC = Compressor and fan OFF.

Since the door is opened, after the delay time set through parameter di, the door alarm is enabled, the display shows the message dA and the regulation restarts if rd = y. The alarm stops as soon as the external digital input is disabled again. With the door open, the high and low temperature alarms are disabled.

10.2 EXTERNAL ALARM (iF=EA)

As soon as the digital input is activated the unit will wait for di time delay before signalling the EA alarm message. The outputs status don't change. The alarm stops just after the digital input is de-activated.

10.3 SERIOUS ALARM (iF=bA)

When the digital input is activated, the unit will wait for di delay before signalling the CA alarm message. The relay outputs are switched OFF. The alarm will stop as soon as the digital input is de-activated.

10.4 SWITCHING SECOND RELAY ON (iF=Au) (Only XR03CX)

When o1=Au it switches on and off the second relay.

10.5 START DEFROST (iF=dF)

It starts a defrost if there are the right conditions. After the defrost is finished, the normal regulation will restart only if the digital input is disabled otherwise the instrument will wait until the dd safety time is expired.

10.6 INVERSION OF THE KIND OF ACTION: HEATING - COOLING (iF=Hc)

This function allows to invert the regulation of the controller: from cooling to heating and viceversa.

11. INSTALLATION AND MOUNTING

Instruments shall be mounted on vertical panel, in a 29x71 mm hole, and fixed using the special bracket supplied. The temperature range allowed for correct operation is 0+60°C. Avoid places subject to strong vibrations, corrosive gases, excessive dirt or humidity. The same recommendations apply to probes. Let air circulate by the cooling holes.

12. ELECTRICAL CONNECTIONS

The instruments are provided with screw terminal block to connect cables with a cross section up to 2,5 mm². Before connecting cables make sure the power supply complies with the instrument's requirements. Separate the probe cables from the power supply cables, from the outputs and the power connections. Do not exceed the maximum current allowed on each relay, in case of heavier loads use a suitable external relay.

12.1 PROBES

The probes shall be mounted with the bulb upwards to prevent damages due to casual liquid infiltration. It is recommended to place the thermostat probe away from air streams to correctly measure the average room temperature. Place the defrost termination probe among the evaporator fins in the coldest place, where most ice is formed, far from heaters or from the warmest place during defrost, to prevent premature defrost termination.

13. HOW TO USE THE HOT KEY

13.1 HOW TO PROGRAM THE HOT KEY FROM THE INSTRUMENT (UPLOAD)

- Program one controller with the front keypad;
 - When the controller is ON, insert the Hot key and push ^ key; the uP message appears followed by flashing Ed;
 - Push SET key and the Ed will stop flashing;
 - Turn OFF the instrument remove the Hot Key, then turn it ON again.
- NOTE: The Er message is displayed for failed programming. In this case push again ^ key if you want to restart the upload again or remove the Hot key to abort the operation.

13.2 HOW TO PROGRAM AN INSTRUMENT USING HOT KEY (DOWNLOAD)

- Turn OFF the instrument;
 - Insert a programmed Hot Key into the 5PIN receptacle and then turn the Controller ON;
 - Automatically the parameter list of the Hot Key is downloaded into the Controller memory, the do message is blinking followed by flashing Ed;
 - After 10 seconds the instrument will restart working with the new parameters;
 - Remove the Hot Key.
- NOTE: The Er message is displayed for failed programming. In this case push again ^ key if you want to restart the upload again or remove the Hot key to abort the operation.

14. ALARM SIGNALLING

MESS	CAUSE	OUTPUTS
"P1"	Room probe failure	Compressor output according to "Cy" and "On"
"P2"	Evaporator probe failure	Defrost end is timed
"HA"	Maximum temperature alarm	Outputs unchanged
"LA"	Minimum temperature alarm	Outputs unchanged
"EA"	External alarm	Outputs unchanged
"CA"	Serious external alarm	All outputs OFF
"dA"	Door Open	Compressor and fans restarts

14.1 ALARM RECOVERY

Probe alarms P1 and P2 start some seconds after the fault in the related probe; they automatically stop some seconds after the probe restarts normal operation. Check connections before replacing the probe. Temperature alarms HA and LA automatically stop as soon as the temperature returns to normal values. Alarms EA and CA (with iF=bL) recover as soon as the digital input is disabled.

15. TECHNICAL DATA

Housing: self extinguishing ABS.
Case: frontal 32x74 mm; depth 50 or 60mm.
Mounting: panel mounting in a 71x29mm panel cut-out.
Protection: IP20.
Frontal protection: IP65.
Connections: Screw terminal block 2,5 mm² wiring.
Power supply: according to the model: 12Vac/dc, ±10%; 24Vac/dc, ±10%; 230Vac 10%, 50/60Hz, 110Vac 10%, 50/60Hz.
Power absorption: 3.5VA max.
Display: 2 digits, red LED, 14,2 mm high.
Inputs: Up to 2 NTC.
Digital input: free voltage contact.
Relay outputs: compressor: SPST 8(3)A, 250Vac; SPST 16(6)A 250Vac or 20(8)A 250Vac;
 defrost/aux: SPDT 8(3)A, 250Vac;
 fan: SPST 8(3)A, 250Vac or SPST 5(2)A.

Data storing: on the non-volatile memory (EEPROM).
Kind of action: 1B.
Pollution grade: 2.
Software class: A.
Rated impulsive voltage: 2500V.
Overvoltage Category: II.
Operating temperature: 0+60 °C.
Storage temperature: -30+85 °C.
Relative humidity: 20+85% (no condensing).
Measuring and regulation range: NTC -40+110°C (-40+230°F).
Resolution: 0,1 °C or 1 °F or 1 °F selectable.
Accuracy (ambient temp. 25°C): ±0,7 °C ±1 digit.

Emerson Climate Technologies-Solutions (Suzhou) Co., Ltd
 No. 20 Building, Chuangtuo Industrial Workshop,
 Yanghe Road, Suzhou Industrial Park, Jiangsu, China, 215122
 T +86 512 85550600 | F +86 512 85550620 | www.emersonclimate.com.cn

		DEFAULT SETTING VALUES					
LABEL	DESCRIPTION	RANGE	XR01CX	XR02CX	XR03CX	XR04CX	XR06CX
Set	Set Point	LS - US	5.0	3.0	3.0	-5.0	-5.0
Hy	Differential	0.1+25°C/ 1+45°F	2.0°C/4°F	2.0°C/4°F	2.0°C/4°F	2.0°C/4°F	2.0°C/4°F
LS	Minimum Set Point	-55°C+SET -67°F+SET	-55°C/ -55°F	-55°C/ -55°F	-55°C/ -55°F	-55°C/ -55°F	-55°C/ -55°F
US	Maximum Set Point	SET+99°C/ SET+99°F	99 °C / 99°F	99 °C / 99°F	99 °C / 99°F	99 °C / 99°F	99 °C / 99°F
ot	First probe calibration	-9.9+9.9°C/ -17+17°F	0.0	0.0	0.0	0.0	0.0
P2	Second probe presence: n= not present; y= present	n-y	-	-	-	y	y
oE	Second probe calibration	-9.9+9.9°C/ -17+17°F	-	-	-	0.0	0.0
od	Outputs activation delay at start up	0 + 99 min	0	0	0	0	0
AC	Anti-short cycle delay	0 + 50 min	1	1	1	1	1
Cy	Comp. ON time faulty probe. Cy= 0 comp. always OFF	0 + 99 min	15	15	15	15	15
Cn	Comp. OFF time faulty probe. Cn= 0 comp. always active	0 + 99 min	30	30	30	30	30
CH	Kind of action	cL + Ht	cL	cL	cL	-	-
CF	Measurement units: °C= Celsius; °F= Fahrenheit	°C / °F	°C / °F	°C / °F	°C / °F	°C / °F	°C / °F
rE	Resolution (only for °C): dE= decimal between -9.9 and 9.9°C; in= integer	dE - in	dE	dE	dE	dE	dE
Ld	Default display: P1= thermostat probe; P2= evaporator probe; SP= Set point	P1-P2-SP	-	-	-	P1	P1
dy	Display delay	0 + 15 min	0	0	0	0	0
td	Defrost type: EL= electrical heater, compressor OFF; in= hot gas, compressor ON	EL-in	-	-	-	EL	EL
dE	Defrost termination temp.	-55+50°C/ -67+99°F	-	-	-	8.0 °C/ 46 °F	8.0 °C/ 46 °F
id	Interval between def. cycles	0 + 99 h	-	8	8	6	6
Md	Max length for def. When ot= n, not evap. probe: timed def. it sets the def. duration; when ot= y (def. end based on temp.) it sets the max length for def.	0 + 99 min	-	20	20	30	30
dd	Start defrost delay	0 + 99 min	-	-	-	0	0
dF	Display during def.: rT= real temp.; iT= start def. temp; ST= SET-POINT; dF= label Df	rT-in-SP-dF	-	it	it	it	it
dt	Drip time	0 + 99 min	-	-	-	0	0
dP	Defrost at power-on: y= at power on defrost starts; n= defrost doesn't start at power-on	y-n	-	-	-	n	n
FC	Fans operating mode: cn= in runs with the comp., OFF during def.; on= continuous mode, OFF during def.; cy= runs with the comp, ON during def.; oy= continuous mode, ON during def.	cn-on -cy-oY	-	-	-	-	o-n
Fd	Fans delay after defrost	0 + 99 min	-	-	-	-	10
FS	Fans stop temperature	-55+50°C/ -67+99°F	-	-	-	-	2.0 °C/ 36 °F
AU	Max temperature alarm	ALL+99°C/ ALL+99°F	99 °C/ 99 °F	99 °C/ 99 °F	99 °C/ 99 °F	99 °C/ 99 °F	99 °C/ 99 °F
AL	Min temperature alarm	-55°C+ALU/ -67°F+ALU	-55 °C/ -55 °F	-55 °C/ -55 °F	-55 °C/ -55 °F	-55 °C/ -55 °F	-55 °C/ -55 °F
Ad	Temperature alarm delay	0 + 99 min	15	15	15	15	15
dA	Exclusion of temp. alarm at startup	0 + 99 min	60	90	90	90	90
tb	Silencing buzzer: n= silencing disabled, alarm relay stays on till alarm conditions lasts; y= silencing enabled: alarm relay is switched OFF by pressing a key during an alarm	y - n	-	-	y	-	-
o1	Auxiliary relay configuration: dF= defrost; Fn= Fans; AL= Alarm; AU= auxiliary; db= neutral zone	dF / Fn / AL / Au / db	-	-	AU	-	-
Ap	Alarm relay polarity: cL= when active is closed; OP= when active is opened	cL - OP	-	-	cL	-	-
iP	Digital input polarity: oP= activated by closing the contact; cL= activated by opening the contact	cL - oP	cL	cL	cL	-	cL
iF	Digital input configuration: EA= external alarm: "EA" message is displayed; bA= serious alarm "CA" message is						