



Cooking Systems with Oil

Griddles

Installation and User manual

Installations- und Bedienungsanleitung

Manuel d'installation et mode d'emploi

Manuale d'installazione e uso



Please make a note of your product details for future use:

Date Purchased: _____

Model Number: _____

Serial Number: _____

Dealer: _____

Lincat Ltd
Whisby Road
Lincoln LN6 3QZ
Tel +44 (0) 1522 503250
Fax +44 (0) 1522 875530

info@frifri.co.uk



A member company of
THE MIDDLEBY CORPORATION

CONTENTS

Important Information	2
Warnings and Precautions	3
Technical Data	3
Checklist of Enclosures	3
Installation and Commissioning	4-5
Operating Instructions	5-6
Cleaning	6-7
Servicing, Maintenance and Component Replacement	7-8
Spare Parts List	8
Service Information and Guarantee	9

IMPORTANT INFORMATION

Read these instructions carefully before using this product, paying particular attention to all sections that carry warning symbols, caution symbols and notices. Ensure that these are understood at all times.



WARNING!

This symbol is used whenever there is a risk of personal injury.



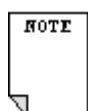
CAUTION!

This symbol is used whenever there is a risk of damaging your Lincat product.



NOTE:

This symbol is used to provide additional information, hints and tips.



KEEP THIS MANUAL FOR FUTURE REFERENCE

WARNINGS AND PRECAUTIONS



This appliance must be installed, commissioned and serviced by a qualified person in accordance with national and local regulations in force in the country of installation.

If the supply cord is damaged, it must be replaced by the manufacturer, its service agent or similarly qualified person.

Ensure that the plug/socket is accessible at all times.

Strip plastic coating and clean the appliance before use.

During operation parts may become hot - avoid accidental contact.

Disconnect this appliance before servicing, maintenance or cleaning.

This appliance should only be used by a qualified adult.

TECHNICAL DATA

Model	Voltage Rating (V)	Power (Kw)	Amperage (A)	Supply Cable (A)
700000	400v	4.3	10.8	3L+N+PE
700001	400v	4.3	10.8	3L+N+PE
700002	400v	8.6	21.6	3L+N+PE
700003	400v	8.6	21.6	3L+N+PE
700000/SPH	230v	4.3	18.7	L+N+PE
700001/SPH	230v	4.3	18.7	L+N+PE
700002/SPH	230v	8.6	37.4	L+N+PE
700003/SPH	230v	8.6	37.4	L+N+PE

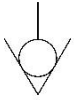
CHECK LIST OF ENCLOSURES

Warranty Card
Instructions Manual
Plate Scraper
Terminal Block Cover
Drain Plug

INSTALLATION AND COMMISSIONING

This product is heavy; prior to installation a handling assessment should be made.

If unit is supplied with pedestal, or pedestal purchased separately. Refer to IS699 on how to assemble.

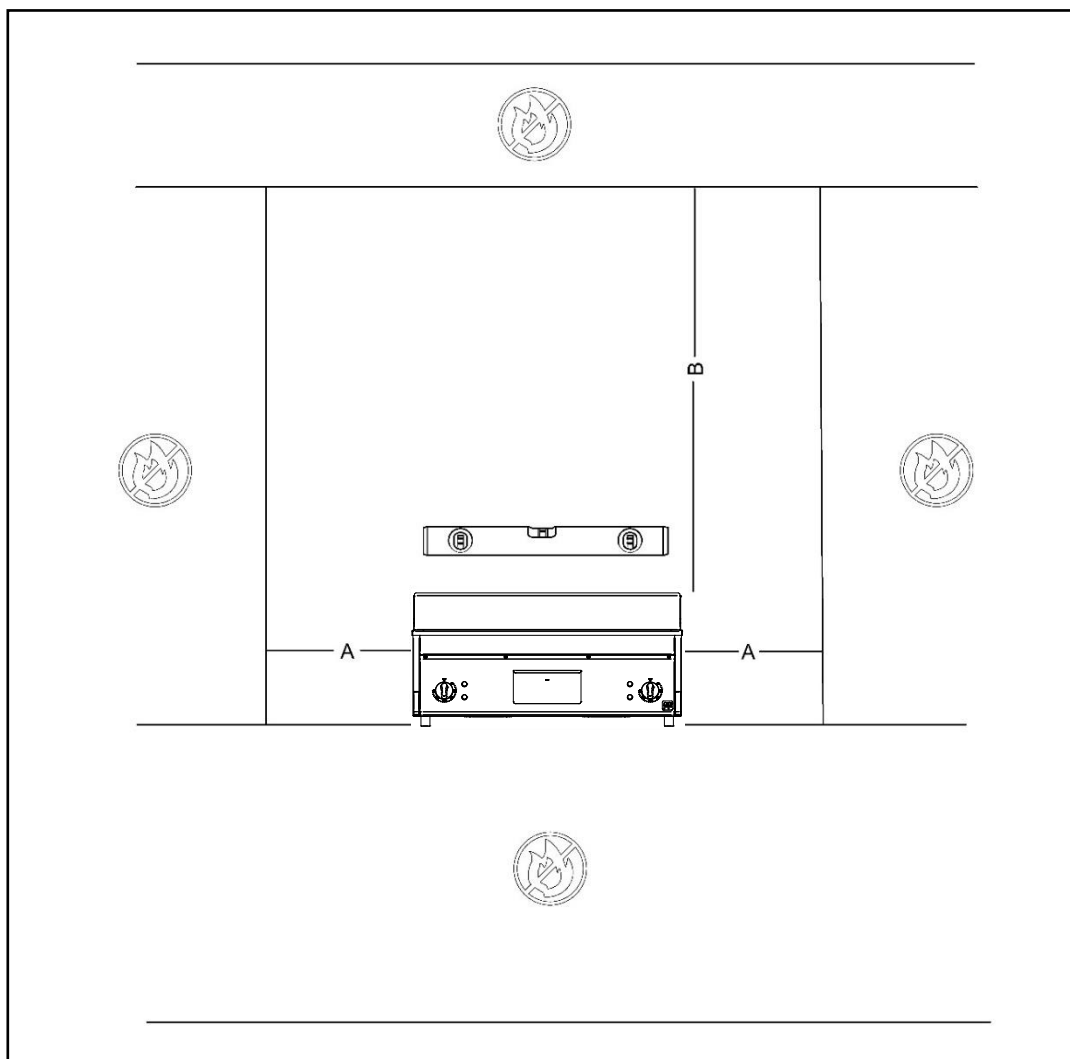


This appliance must be earthed. An equipotential bonding terminal is provided to allow cross bonding with other equipment.

Connect the terminals as follows:

Green and Yellow wire	Earth	E
Blue wire	Neutral	N
Brown wire	Live	L

Install this appliance on a level surface ensuring all vents are unobstructed. Any partitions, walls or furniture must be of non-combustible material and the



appliance must be installed with minimum distances A 100mm B 1000mm – see Fig 1

Means of isolation with at least 3mm contact separation in all poles must be incorporated into the fixed wiring of this appliance.

The fixed wiring insulation must be protected by insulated sleeving having a temperature rating of at least 60 Deg C.

Supply cords shall be oil resistant, sheathed flexible cable not lighter than ordinary polychloroprene or equivalent elastomer sheathed cord (code 60245 IEC 57)

The electrical supply cable enters into a terminal block located on the rear panel. The terminal block has a metal cover retained by two screws.

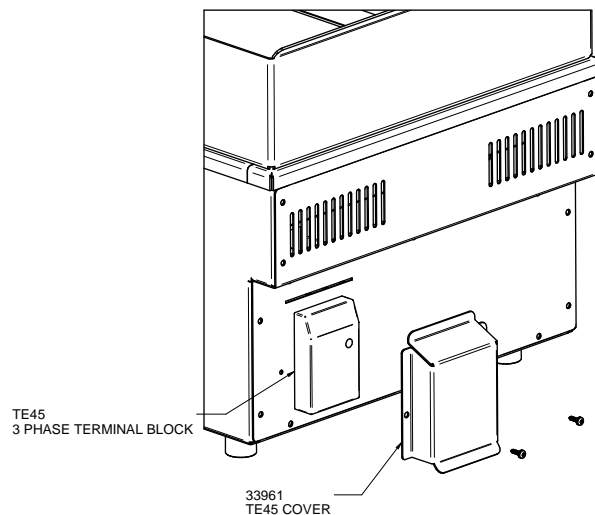


Fig 2

OPERATING INSTRUCTIONS

Only qualified or trained personnel should use this appliance.

Griddle plate preparation

- Before first use, wash the plate down with a warm detergent solution.
- Dry with a soft cloth.
- The appliance is now ready for cooking.

In the event of a thermal reset, press the button beneath

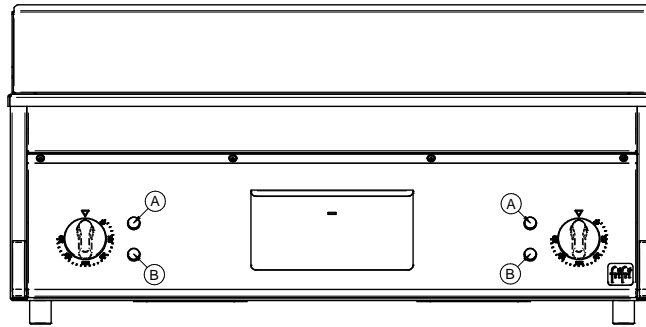


Fig 3

Switch on the power supply, there will be no visible indication of power to the unit as it is isolated at the control switches.

The cooking area is separated into two heat zones, split 50%-50%. (800mm); or a single heat zone, 100% of the plate (400mm).

Turn the control knob(s) to the required setting. The green neon(s) will illuminate to show power, and the amber neon(s) will illuminate to indicate the unit is heating.

When the set temperature is achieved, the amber neons will extinguish and continue to operate in cycle with the elements.

To shut down after use, rotate both knobs to the 'Off' position and switch off at the isolating socket for complete power disconnect.



CLEANING

In the U.K your Lincat product has a manufacturer's warranty (For non – U.K markets, consult your dealer). This requires you to maintain and care for your product and follow maintenance instructions. If you fail to maintain your unit or damage components Lincat may charge you for a warranty repair. For detailed terms and conditions refer to www.lincat.co.uk

Do not use a water jet or steam cleaner, and do not immerse this appliance.

Griddle plate cleaning

- After cooking, scrape off any food residue. Wash plate with a solution of mild detergent and water. Drain plug can be used to aid in cleaning.
- Rinse away all traces of detergent and dry plate with a soft cloth.
- Protect with a light coating of cooking oil.
- Do not use sharp implements on chromium plates

- Do not use plastic implements for cooking

General cleaning

Clean all panels with warm water and mild detergent, do not use abrasive materials or cleaners containing chlorine. Dry with a soft cloth. Empty and clean the fat collection drawer regularly.

All servicing, maintenance and component replacement on this appliance should be carried out by one of our recommended service engineers.

SERVICING, MAINTENANCE AND COMPONENT REPLACEMENT

Neon replacement

Remove the screws at the top of the fascia panel, and remove the fascia panel by rotating the top downward, and unclipping the tabs located at the bottom of the fascia.

Remove the cables from the neon. Unscrew the neon retaining nut to remove the neon.

Reverse the sequence to fit new neon and reassemble.

Element replacement

Remove the fascia panel as above. Remove the cables from the faulty element, by unclipping from the terminal block found in the unit.

The elements are contained in a cartridge, which may be removed for access. This can be done by removing the rear back panel, then unscrewing the nuts securing the cartridge strap. This will allow the cartridge to hinge down at the front to then be pulled out.

Ensure the thermostat bulb bracket has been removed, by taking out the two screws. This will allow complete removal from appliance.

Remove the element cartridge and fit the replacement in reverse of the above, ensuring the thermostat bulb bracket has been re-fitted correctly, also ensuring that cartridge strap has been tightened securely.

Refit the fascia.

Thermostat replacement

Remove the relevant control knob. Remove the fascia panel as above.

Disconnect the cables from the faulty thermostat; remove the screws which hold the thermostat to the control panel.

Undo the screws that hold the thermostat bulb bracket to the cartridge and remove the thermostat bulb from the bracket.

Fit the new thermostat by reversing the above procedure, ensuring the bulb is pushed fully into the bracket, and the capillary is formed away from the bulb in a smooth radius without kinking.

Refit the fascia.

Limit-thermostat replacement

Remove Fascia as above.

Disconnect the faulty limit stat, remove the screws which hold the limit stat to the control panel.

Undo the screws that hold the thermostat bulb bracket to the cartridge and remove the thermostat bulb from the bracket.

Fit the new thermostat by reversing the above procedure, ensuring the bulb is pushed fully into the bracket, and the capillary is formed away from the bulb in a smooth radius without kinking.

Refit the fascia

SPARE PARTS LIST

Part Number	Description	Used on
EL306/S	4.3kW element 400V	1 x 400mm, 2 x 800mm variants
FZ214000	Knob	ALL
M06400	Leg	
NE46	Green neon	
NE47	Amber neon	
SC01	Scraper	
TH110	Thermostat	
TH203	Limit stat	
CO215	Contactora	
EL322/S	4.3kW element 230V	ALL /SPH variants
SC01	Plate Scraper	ALL

SERVICE INFORMATION

For help with the installation, maintenance and use of your **Lincat** equipment, please contact our service department:

☎ UK: 01522 875520

For non-UK customers, please contact your local Lincat dealer

All service work, other than routine cleaning should be carried out by one of our authorised service agents. We cannot accept responsibility for work carried out by other persons.

To ensure your service enquiry is handled as efficiently as possible, please tell us:

- Brief details of the problem
 - Product code
 - Type number
 - Serial number
- } All available on serial plate

Lincat reserve the right to carry out any work under warranty, given reasonable access to the appliance, during normal working hours, refer to www.lincat.co.uk for warranty terms & conditions

GUARANTEE

This unit carries a comprehensive UK mainland 2 year warranty. The guarantee is in addition to, and does not diminish your statutory or legal rights.

The guarantee does not cover:

- Accidental damage, misuse or use not in accordance with the manufacturer's instructions
- Consumable items (such as filters, glass, bulbs, slot toaster elements and door seals.)
- Damage due to incorrect installation, modification, unauthorised service work or damage due to scale, food debris build-up, etc.

The manufacturer disclaims any liability for incidental, or consequential damages. Attendance is based on reasonable access to the appliance to allow the authorised technician to carry out the warranty work.