

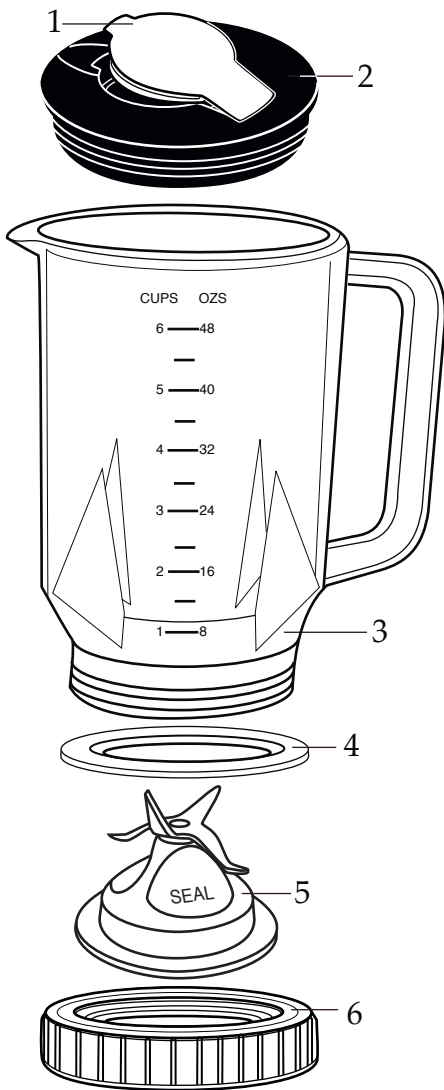
WARING COMMERCIAL

UK 230 volt Bar Blender
with Eastman Container

BB25EPK

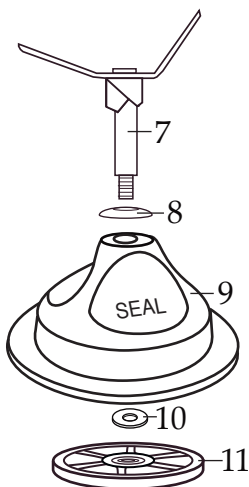


028628
Name Plate

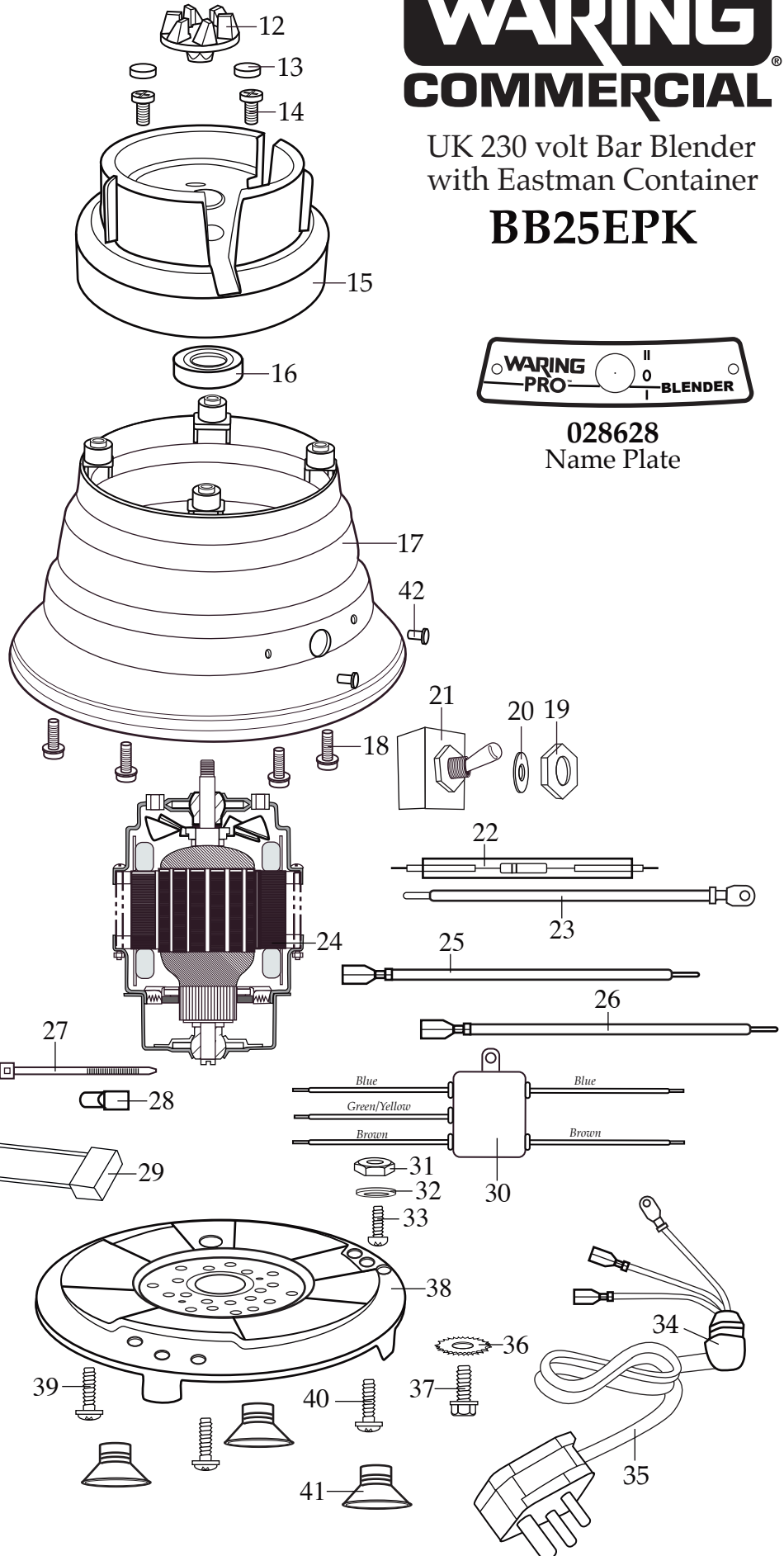


501412
Jar with Blending Assembly
and Collar

502559-09-E
(changed after 5/30/2008)
Jar with 2 Piece Lid



502508 Blending Assembly
(parts that can be purchased separately)



| Illustration# | Part# | Description |
|---------------|----------------------------|--|
| 1 | 018534 | Lid Insert |
| 2 | 024367-09 | Black Outer Lid <i>(changed after 5/30/2008)</i> |
| 3 | 018531-E | 48 oz. Eastman Jar <i>(changed after 5/30/2008)</i> |
| 4 | 006890 | Gasket |
| 5 | 502508 | Blending Assembly |
| 6 | 015388-09 | Black Jar Bottom |
| 7 | 502507 | Cutter & Shaft |
| 8 | 017832 | Bearing Cap |
| 9 | 500122 | Bearing Holder |
| 10 | 006937 | Washer |
| 11 | 003138 | Coupling |
| 12 | 007509 | Coupling (1 required <i>on units after 5/30/2008</i>) - (2 required) |
| 13 | 016094 | Hole Plug (2 required) |
| 14 | 013768 | Screw (2 required) |
| 15 | 017381-09-R | Black Jar Adapter <i>(changed after 5/30/2008)</i> |
| 16 | 018605 | Housing Seal |
| 17 | 019608-09W | Black Wrinkle Base |
| 18 | 024595 | Screw & Washer (4 required) |
| 19 | 016236 015098 | Hex Nut <i>(on units after 5/30/2008)</i> Nut Ring |
| 20 | 014604 | Washer |
| 21 | 026537 | Switch |
| 22 | 502763 | Resistor Assembly |
| 23 | 501400 | Green-Yellow Lead |
| 24 | 026535 | Motor |
| 25 | 502838 | White Lead Assembly |
| 26 | 502753 | Brown Lead Assembly |
| 27 | 013731 | Cable Tie (10 required) |
| 28 | 012409 019123 012409 | Small Crimp Connector (3 required <i>on units after 11/7/2008</i>) Large Crimp Connector (2 required <i>on units after 11/7/2008</i>) Crimp Connector (5 required) |
| 29 | 026666 | EMI Capacitor |
| 30 | 502752 | EMI Filter |
| 31 | 002944 | Hex Nut |

| Illustration# | Part# | Description |
|---------------|----------|---|
| 32 | 002943 | Washer |
| 33 | 013659 | Screw (on units after 11/7/2008) |
| | 013270 | Screw |
| 34 | 013680 | Strain Relief |
| 35 | 502571 | Cord Set |
| 36 | 002943 | Lock Washer (3 required) |
| 37 | 027278 | Ground Screw (2 required on units after 5/30/2008) |
| | 013659 | Screw (2 required) |
| 38 | 024055-R | Bottom Plate ONLY (on units after 5/21/2008) |
| | 502842 | Bottom Plate & Cord Set Assembly (on units after 5/21/2008) |
| | 018454 | Bottom Plate ONLY |
| 39 | 018477 | Special Screw |
| 40 | 013659 | Screw (2 required) |
| 41 | 026278 | Suction Cup Foot (3 required) |
| 42 | 003532 | Rivet (2 required) |

Parts No Longer Used
 (on units before 7/20/2012)

- 024303 - Bottom Plate Plug
- 015179 - Screw (2 required)
- 024368 - Reset Switch
- 014604 - Lock Washer
- 015184 - Hex Nut

Wiring Diagram
 (on units after 6/25/2010)

