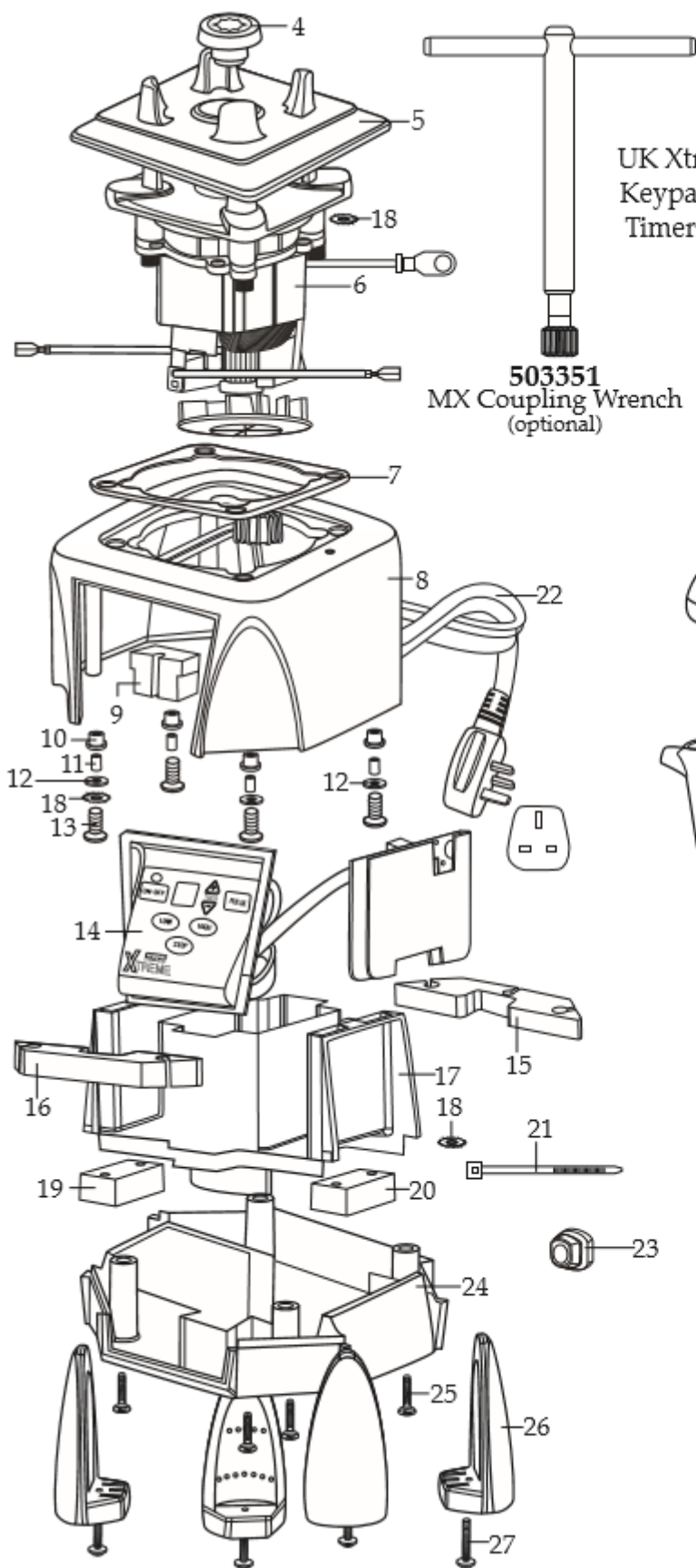


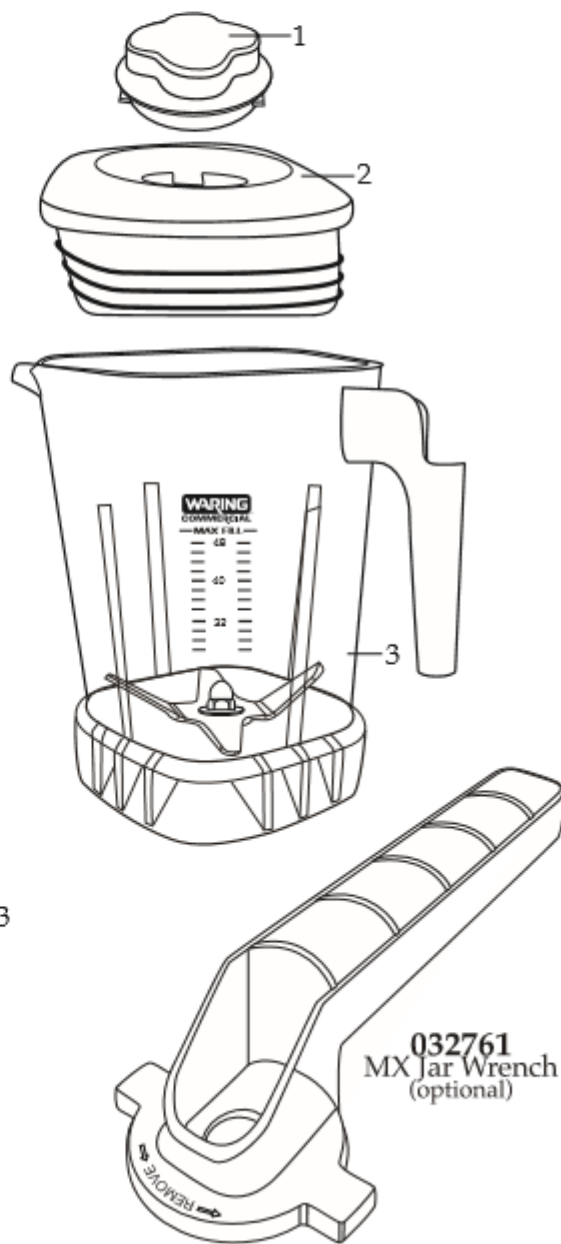


UK Xtreme Blenders with Electronic Membrane Keypad and a 30 Second Electronic Countdown Timer with a 48 oz. Stackable Raptor Container

**MX1100XTPEK**  
**MX1100XTPSEK**  
 Sound Enclosure Europe



**503351**  
 MX Coupling Wrench  
 (optional)

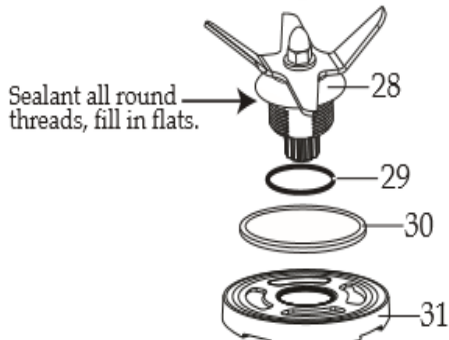


**032761**  
 MX Jar Wrench  
 (optional)

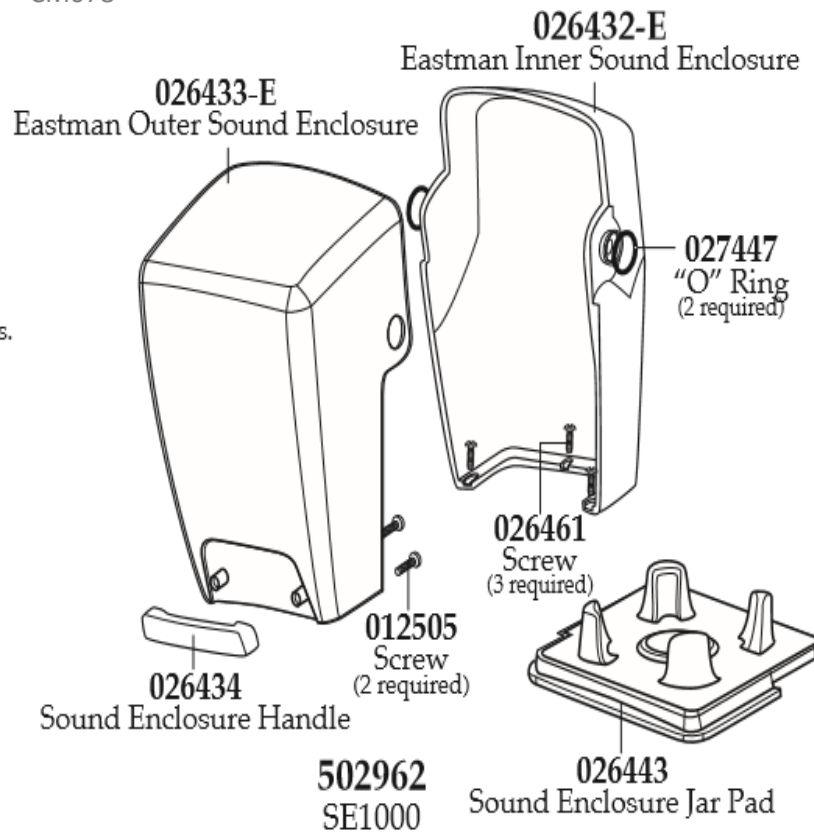
Explode	Code	Description
1	AF769	Jar Lid Cover
2	AF768	MX-XT Vinyl Jar Lid
3		48 oz. Stackable Container ONLY
3		48 oz. Stackable Container Assembly
4	AC930	Drive Coupling
5	AG613	Jar Pad
6		Motor without Sensor (on units after 8/23/2017)
6	AC931	ECM Motor without Sensor
7		Dampening Plate Gasket
8		MX Housings, Ferrite Core & Cord (on units after 8/23/2017)
8		MX Housings, Ferrite Core & Cord
9		Motor Foam (2 required)
10		Dampening Plate Bushing (4 required)
11		Dampening Plate Sleeve (4 required)
12		Washer (2 required)
13		Sems (4 required)
14		Control Panel with Interlock (changed after 7/7/2018)
14	AG615	Soft Start Control Panel (use 036399)
15		Top Housing Foam Rear Baffle
16		Top Housing Foam Front Baffle
17		MX Housings, Ferrite Core & Cord (on units after 8/23/2017)
17		MX Housings, Ferrite Core & Cord
18		Washer (3 required)
19		Bottom Housing Foam Baffle
20		Foam Baffle
21		Cable Tie (3 required)
22		MX Housings, Ferrite Core & Cord (on units after 8/23/2017)
22		MX Housings, Ferrite Core & Cord
23	AG617	Strain Relief
24		MX Housings, Ferrite Core & Cord (on units after 8/23/2017)
24		MX Housings, Ferrite Core & Cord
25		Screw (4 required)
26		Corner Post (4 required)
27		Sems (4 required)
28		Blade Assembly
29		O Ring
30		Nut Gasket
31		Bearing Holder Nut
N/A	AG615	Waring Control Panel for CM078
N/A	AG616	Waring Power Cord for CM078
N/A	AG774	Waring Stainless Steel MX Jar 64oz with Lid for CM078
N/A	WA327	Jug Lid for CB135 CB136 CB137 T230 GH480 CM078
N/A	WA328	Jug Lid Plastic Inserter for CB135 CB136 CB137 T230 CM078

**Notes for 503439:**

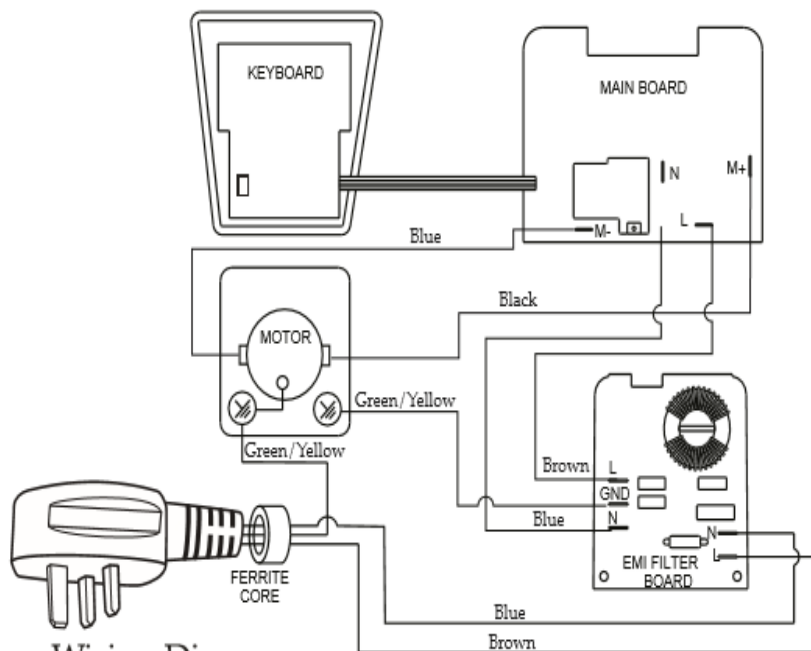
Torque 100-125 in/lbs  
 Sealant all around the threads, fill in flats.  
 Dow Corning Sealant RTV 733



**030889**  
 Blending Assembly Kit



**502962**  
 SE1000



**Wiring Diagram**