



**P6P4 - Panther 670 Series
Free-standing Hot
Cupboard - Plain Top - W
1530 mm - 2.5 kW**

A great solution for holding and transporting food at the perfect temperature, the Panther 670 Series Hot Cupboard is designed to fit through narrow doorways, so is ideal for pubs and smaller restaurants as well as nursing and care homes where plated meals are to be transported from the kitchen to the residents.

- ✓ 670mm depth allows access through narrow door openings also ideal to fit through narrow corridors
- ✓ Ideal for small restaurants, cafes and pubs, as well as nursing and care homes, where the easy transportation of plated meals to diners and residents is a necessity.
- ✓ Fan assisted hot cupboard provides even heat distribution, fast heat up and recovery times, and lower energy usage. Four shelf positions allow adjustment to meet individual needs.
- ✓ Fully 1/1 GN compatible hot cupboard for operational efficiency. Units available to take 4 x 1/1 GN containers up to 150mm deep.
- ✓ Accurate digital electronic control of the hot cupboard temperature, adjustable between 20 and 99 °C, ensures compliance with food hygiene regulations
- ✓ Double skinned construction provides efficient heat retention and a cool to touch exterior - safe and energy efficient. Removable doors and shelves allow access to the fully stainless steel interior for easy cleaning
- ✓ Supplied with two heavy duty multi-section chrome plated rod shelves capable of taking the heaviest loads

Specifications

Summary		Power and Performance	
Range Name	Panther	Total Power kW	2.5
Power Type	Electric	Temperature Range °C	20 - 99
Unit Type	Free-standing	IP Rating	IP24
Available in UK Only	No	Plate Capacity	396
UK Warranty	2 Years Parts and Labour Warranty	Temperature Control	Electronic
Export Warranty	Contact your local dealer		
GTIN Code	5056105103455		

Key Specifications		Weights and Dimensions	
Number of Shelves included	2	Unit Height (External) mm	900
Number of Shelf Positions	4	Unit Width (External) mm	1530
Heated Base	Yes	Unit Depth (External) mm	670
Heated Gantry	No	Height (Internal) mm	432
Static or Mobile	Mobile	Width (Internal) mm	1345
		Depth (Internal) mm	512
		Shelf Dimensions Width mm	1286
		Shelf Dimensions Depth mm	512
		Net Weight Kg	108.5

Supply Connections

Requires Installation	No
Requires Electrical Supply	Yes
UK 3 Pin Plug	Yes
Requires Hardwiring	No
Electrical Supply Rating Watts	2,500
Single Phase Amps	10.9
Single Phase Voltage	230

Shipping

Packed Weight Kg	123.5
Packed Height cm	110
Packed Width cm	155
Packed Depth cm	90

Available Options

Overshelf or Gantry

PG4A	PG4A - Ambient Gantry
PG4H	PG4H - Heated Gantry
PS4A1	PS4A1 - 1 Ambient Overshelf
PS4A2	PS4A2 - 2 Ambient Overshelves
PS4A3	PS4A3 - 3 Ambient Overshelves
PS4H1	PS4H1 - 1 Heated Overshelf
PS4H2	PS4H2 - 2 Heated Overshelves
PS4H3	PS4H3 - 3 Heated Overshelves

Door Locks

PDL4	PDL4 - Lockable Door
-------------	----------------------

Corner Guards

PCG	PCG - Corner Guards [Set of Four]
------------	-----------------------------------

Trayslides

PTS4	PTS4 - Tray Slide
-------------	-------------------

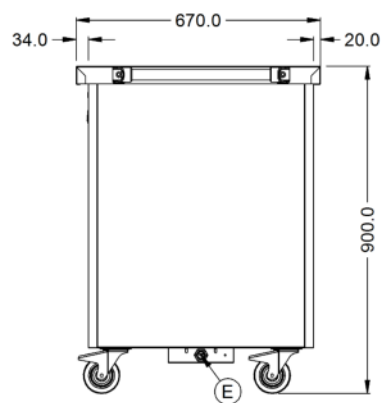
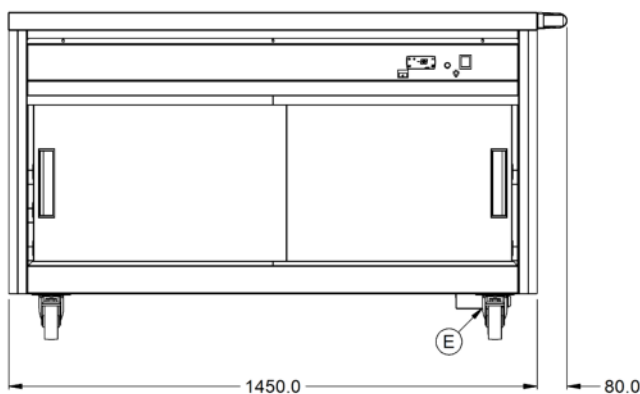
Legs/Castors

PLK	PLK - Legs [non chargeable]
------------	-----------------------------

Available Accessories

PLK/S	PLK/S - LEG KIT [FOR CONVERSION IN THE FIELD]
--------------	---

Technical Picture



Lincat Limited

Whisby Road,
Lincoln, LN6 3QZ,
United Kingdom

Company No: 2175448

A member company of



Customer Care

Tel: +44 1522 875500
Email: care@lincat.co.uk

Export Customers

Tel: +44 1522 503250
Email: export@lincat.co.uk

Opening Hours

Monday – Friday:
8.30am – 5pm