



LPC - Lynx 400 Pizzachef
Electric Counter-top
Infra-Red Grill with Rod
Shelf - W 552 mm - 3.0 kW

Producing perfect pizzas and paninis every time, the 3kW Lynx 400 Pizzachef Infra Red Grill heats up rapidly and saves energy as you only need to switch it on when you need it.

- ✔ Pizza Chef salamander grill perfect for pizzas and toasted sandwiches
- ✔ Rapid heat up - save energy by switching on just when you need to use it
- ✔ Variable heat control of lower elements
- ✔ Even heat provides maximum output
- ✔ Accurate electrical timer for precise cooking control
- ✔ Enamel fascia for easy cleaning
- ✔ Six clip-in, user-changeable quartz infrared elements
- ✔ Rod shelf with stay cool handle, supplied as standard
- ✔ Plug and play for an easy installation

Specifications

Summary		Power and Performance	
Range Name	Lynx 400	Total Power kW	3.0
Power Type	Electric	IP Rating	IP23
Unit Type	Counter-top	Temperature Control	Mechanical
Available in UK Only	No		
UK Warranty	2 Years Parts and Labour Warranty		
Export Warranty	Contact your local dealer		
GTIN Code	5056105101208		

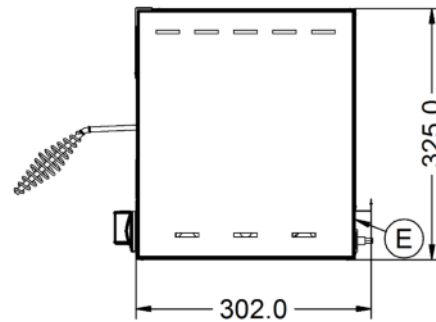
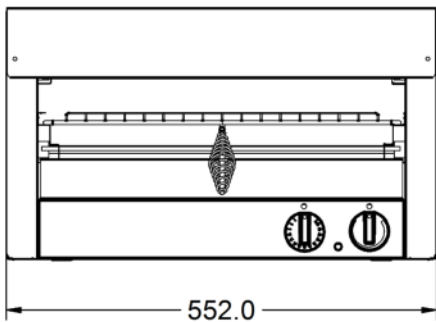
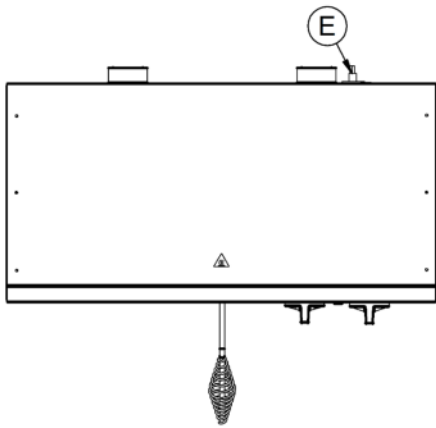
Key Specifications		Weights and Dimensions	
Number of Shelves included	1	Unit Height (External) mm	325
Number of Shelf Positions	1	Unit Width (External) mm	552
Number of Heat Zones	1	Unit Depth (External) mm	302
		Shelf Dimensions Width mm	460
		Shelf Dimensions Depth mm	270
		Net Weight Kg	12.1

Supply Connections		Shipping	
Requires Installation	No	Packed Weight Kg	14.4
UK 3 Pin Plug	Yes	Packed Height cm	49.5
Requires Hardwiring	No	Packed Width cm	70
Electrical Supply Rating Watts	3,000	Packed Depth cm	55
Single Phase Amps	13.0		
Single Phase Voltage	230		

Available Accessories

BR15	WALL BRACKET-GR3/LGT - & LSC/FL - ONE PIECE
TO10	NULL

Technical Picture



Lincat Limited

Whisby Road,
Lincoln, LN6 3QZ,
United Kingdom

Company No: 2175448

A member company of



Customer Care

Tel: +44 1522 875500
Email: care@lincat.co.uk

Export Customers

Tel: +44 1522 503250
Email: export@lincat.co.uk

Opening Hours

Monday – Friday:
8.30am – 5pm