



## GG1P - Lynx 400 Electric Counter-top Heavy Duty Panini Grill - Smooth Upper & Lower Plates - W 395 mm - 3.0 kW

Designed to seal in the juices, the quick-heating 3kW Lynx 400 Panini Grill produces mouthwatering results every time, whether you're making toasted sandwiches or grilling succulent meats.

- ✓ Heavy duty, higher powered griddle
- ✓ Ribbed plates for attractive branding marks
- ✓ Higher capacity for increased output in busy periods
- ✓ Ideal for front of house use
- ✓ Great for sealing in juices and flavour for succulent results - and minimal shrinkage
- ✓ Cast aluminium plates give an even heat distribution
- ✓ Non stick coated plates for easy cleaning
- ✓ Plug and play for an easy installation

### Specifications

#### Summary

<b>Range Name</b>	Lynx 400
<b>Power Type</b>	Electric
<b>Unit Type</b>	Counter-top
<b>Available in UK Only</b>	No
<b>UK Warranty</b>	2 Years Parts and Labour Warranty
<b>Export Warranty</b>	Contact your local dealer
<b>GTIN Code</b>	5056105101178

#### Power and Performance

<b>Total Power kW</b>	3.0
<b>IP Rating</b>	IP23
<b>Cooking Area (Width x Depth) mm</b>	358 x 258
<b>Temperature Control</b>	Mechanical

#### Key Specifications

<b>Top Grill Plate Surface Type</b>	Ribbed
<b>Grill Plate Surface Type</b>	Ribbed
<b>Grill Plate Material</b>	Aluminium

#### Weights and Dimensions

<b>Unit Height (External) mm</b>	276
<b>Unit Width (External) mm</b>	395
<b>Unit Depth (External) mm</b>	356
<b>Net Weight Kg</b>	23.1

#### Supply Connections

<b>Requires Installation</b>	No
<b>Requires Electrical Supply</b>	Yes
<b>UK 3 Pin Plug</b>	Yes
<b>Requires Hardwiring</b>	No
<b>Electrical Supply Rating Watts</b>	3,000
<b>Single Phase Amps</b>	13.0
<b>Single Phase Voltage</b>	230

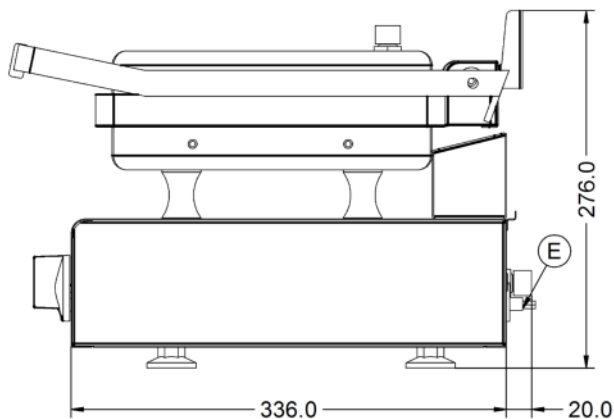
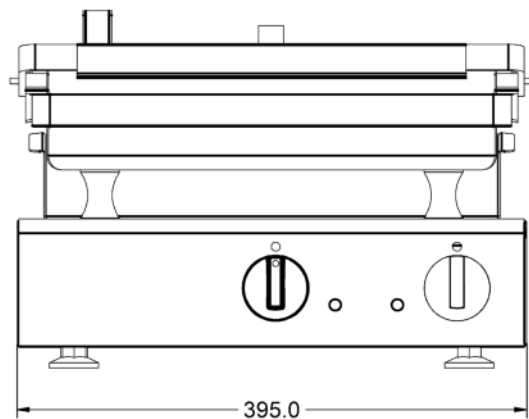
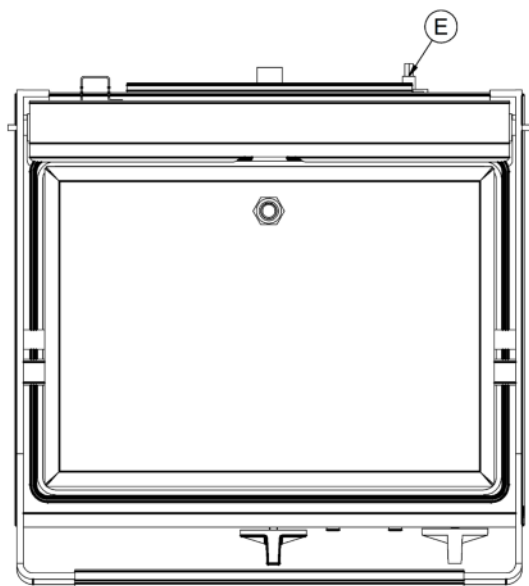
#### Shipping

<b>Packed Weight Kg</b>	25.4
<b>Packed Height cm</b>	42
<b>Packed Width cm</b>	48.5
<b>Packed Depth cm</b>	48.5

### Available Accessories

<b>SS1</b>	SANDWICH SPACER - FOR GG1
------------	---------------------------

### Technical Picture



**Lincat Limited**

Whisby Road,  
Lincoln, LN6 3QZ,  
United Kingdom

**Company No:** 2175448

A member company of



**Customer Care**

**Tel:** +44 1522 875500  
**Email:** care@lincat.co.uk

**Export Customers**

**Tel:** +44 1522 503250  
**Email:** export@lincat.co.uk

**Opening Hours**

**Monday – Friday:**  
8.30am – 5pm