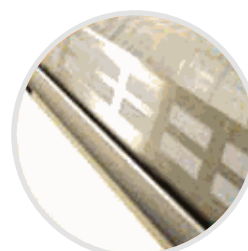


Optimus Ice Cream Display

OPTIMUS 16



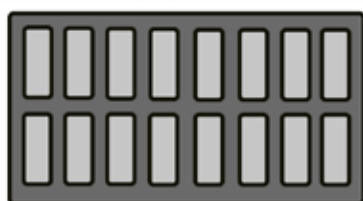
Removable scoop wash tub for easy cleaning (not plumbed)



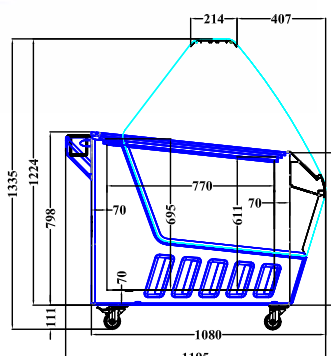
Illuminated flavour card holders



High capacity under storage (holds Product in Reserve)



Optimus Capacity 16 Napoli containers (Not supplied)



FEATURES

- Cream finish with black frame
- Sliding glass lid over display area enables you to keep the ice cream overnight
- Accepts 5L Napoli containers (not supplied)
- Castors as standard
- Internal LED lighting
- Anodised aluminium top profile
- Generous under storage
- Skin evaporator to reduce energy consumption compared to forced air version
- Maintenance free condenser

TECHNICAL SPECIFICATIONS

Controller:	Digital controller with temperature display
Cooling:	Static
Defrost:	Automatic
Refrigerant:	R290
Climate Class:	4
Temperature Range:	-15°C ~ -22°C
Decibels:	55dBA
Power Supply:	13amp

MODEL	DISPLAY CAPACITY*	STORAGE CAPACITY*	GROSS CAPACITY	EXTERNAL DIMENSIONS (H x W x D mm)	POWER CONSUMPTION	WEIGHT (kg)	RRP
OPTIMUS 16	16	24	630L	1335 x 1590 x 1195	451W	174	£4,774.00
ME-NAPOLI-5	-	-	-	-	-	-	£30.00

* Capacity for 5L Napoli containers



NOTES

Glass structure is fully assembled prior to despatch.

