



## BM7XAW - Silverlink 600 Electric Counter-top Bain Marie - Wet Heat - Gastronorms - Base + Dish Pack - W 750 mm - 2.0 kW

The Silverlink 600 Electric Wet Heat Bain Marie safely holds sauces, soups, gravy and precooked foods for up to two hours at the ideal serving temperature

- ✓ Wet heat bain marie
- ✓ Ideal for holding foods for up to 2 hours at serving temperature
- ✓ 2 x 1/1 150mm deep gastronorms with lids are included
- ✓ This wet unit can also be used as a dry bain marie
- ✓ Plug and play for an easy installation
- ✓ Perfect for safely holding sauces, gravy & pre-cooked foods
- ✓ Adjustable temperature control

### Specifications

#### Summary

<b>Range Name</b>	Silverlink 600
<b>Power Type</b>	Electric
<b>Unit Type</b>	Counter-top
<b>Available in UK Only</b>	No
<b>UK Warranty</b>	2 Years Parts and Labour Warranty
<b>Export Warranty</b>	Contact your local dealer
<b>GTIN Code</b>	5056105100676

#### Power and Performance

<b>Gastronorm Capacity</b>	2 x GN1/1
<b>Total Power kW</b>	2.0
<b>IP Rating</b>	IP33
<b>Temperature Control</b>	Mechanical

#### Key Specifications

<b>Drain Location</b>	Front-mounted
<b>Pot Type</b>	Gastronorm
<b>Type of Heat</b>	Wet

#### Weights and Dimensions

<b>Unit Height (External) mm</b>	290
<b>Unit Width (External) mm</b>	750
<b>Unit Depth (External) mm</b>	600
<b>Net Weight Kg</b>	21.9

#### Supply Connections

<b>Requires Installation</b>	No
<b>Requires Electrical Supply</b>	Yes
<b>UK 3 Pin Plug</b>	Yes
<b>Requires Hardwiring</b>	No
<b>Electrical Supply Rating Watts</b>	2,000
<b>Single Phase Amps</b>	8.7
<b>Single Phase Voltage</b>	230

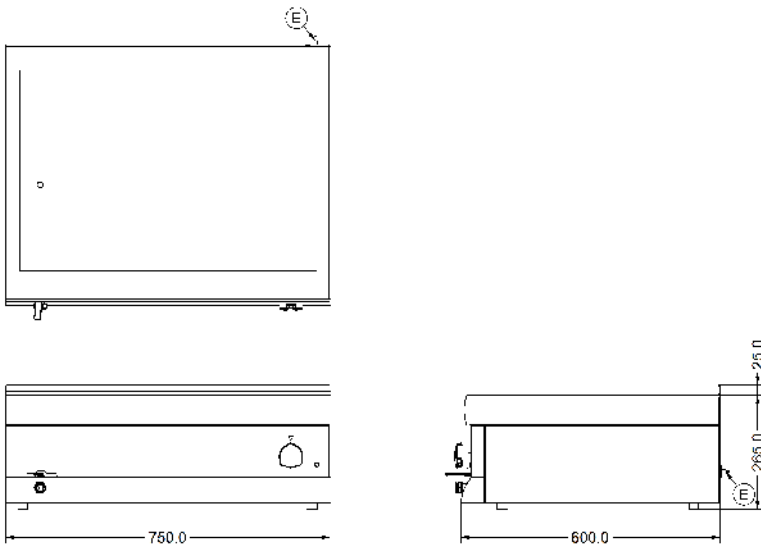
#### Shipping

<b>Packed Weight Kg</b>	27.9
<b>Packed Height cm</b>	49.5
<b>Packed Width cm</b>	85.5
<b>Packed Depth cm</b>	70

### Available Accessories

<b>CC7</b>	Silverlink 600 Free-standing Ambient Open-Top Pedestal with Doors - W 750 mm
<b>CN7</b>	Silverlink 600 Free-standing Ambient Open-Top Pedestal without Doors - W 750 mm
<b>HC7</b>	Silverlink 600 Free-standing Heated Open-Top Pedestal with Doors - W 750 mm - 0.5 kW
<b>HCL7</b>	Silverlink 600 Free-standing Heated Pedestal with Legs and Doors - W 750 mm - 0.75 kW
<b>SLS7</b>	Silverlink 600 Free-standing Floor Stand - for units W 750 mm

Technical Picture



**Lincat Limited**

Whisby Road,  
Lincoln, LN6 3QZ,  
United Kingdom

**Company No:** 2175448

A member company of



**Customer Care**

**Tel:** +44 1522 875500  
**Email:** care@lincat.co.uk

**Export Customers**

**Tel:** +44 1522 503250  
**Email:** export@lincat.co.uk

**Opening Hours**

**Monday – Friday:**  
8.30am – 5pm